

# BB2 Series 1/4"- 2"

BB2-350 Solder  
BB2-100 Threaded



**Bronze Butterball® Butterfly Valve**  
175 psig WOG  
CSA (AGA/CGA) & UL Rating (1) (\*)  
Vacuum to 29" (Except 1/4" & 3/8" Threaded End)  
Specification: WW-V-1967

## MATERIALS LIST

| ITEM | PART      | MATERIALS             | ASTM SPEC. |
|------|-----------|-----------------------|------------|
| 1    | BODY      | BRONZE                | ASTM B584  |
| 2    | DISC      | STAINLESS STEEL       | TYPE 304   |
| 3    | STEM      | STAINLESS STEEL       | TYPE 303   |
| 4    | HEX NUT   | STAINLESS STEEL       | TYPE 302   |
| 5    | GLAND     | ROD BRONZE            | CA-360     |
| 6    | PACKING   | NYLON                 |            |
| 7    | HANDLE    | STEEL W/ZINC PLATING  |            |
| 8    | FLAT GRIP | VINYL                 |            |
| 9    | DISC SEAT | VITON                 |            |
| 10   | TAILPIECE | 3/8" - 3/4" BRASS ROD | ASTM B16   |
|      |           | 1" - 2" BRONZE        | ASTM B584  |

## FEATURES

- Full Port Design
- Full Flow, High Cv
- One Piece Bronze Body\*
- Stainless Steel Stem and Disc
- Viton Seal
- Excellent throttling characteristics<sup>(3)</sup>
- Requires no system pressure to seal
- 30°F to 275°F Temperature Range

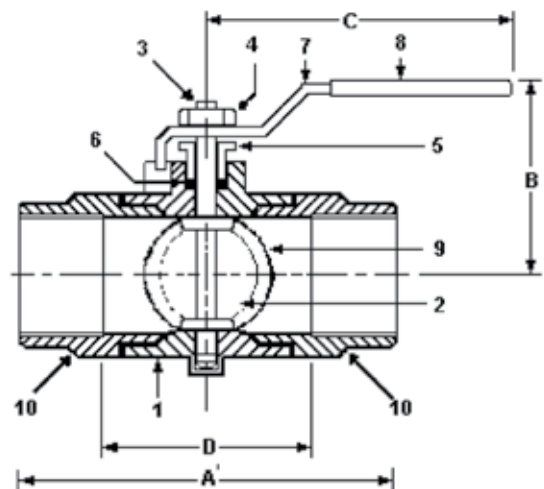
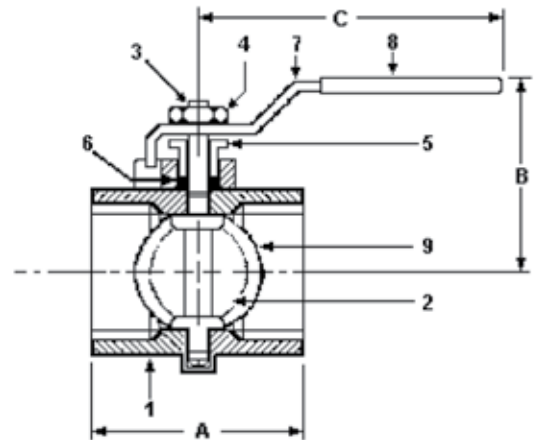
## APPLICATIONS

- Natural Gas Shut-off\*  
(1/2" psi and 5 psi)
- LP Gas Shut-off\*
- Gas and Air Systems
- Fuel Oil (Types 1-6)\*
- Oil Systems\*
- Liquid Service including water<sup>(2)</sup>
- Throttling, Balancing & Shut-off<sup>(3)</sup>
- Vacuum Service

\* Applies to BB2-100 Series Threaded End only

<sup>(2)</sup> Do not use on hot water over 120° F

<sup>(3)</sup> Do not throttle or leave in the near closed position as seal damage may result.



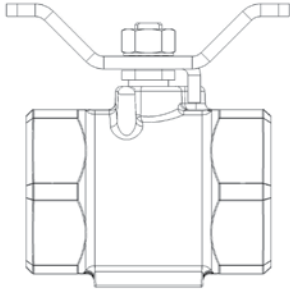
## DIMENSIONS

|                 | VALVE SIZE |      |      |      |      |      |        |        |      |
|-----------------|------------|------|------|------|------|------|--------|--------|------|
|                 | INCHES     | 1/4" | 3/8" | 1/2" | 3/4" | 1"   | 1-1/4" | 1-1/2" | 2"   |
| A<br>(Body)     | DN         | 6    | 10   | 15   | 20   | 25   | 32     | 40     | 50   |
|                 | INCHES     | 2.25 | 2.34 | 1.88 | 2.00 | 2.13 | 2.63   | 2.88   | 3.25 |
| A <sup>1</sup>  | INCHES     | N/A  | 2.38 | 2.50 | 3.13 | 3.63 | 4.38   | 4.88   | 5.63 |
|                 | mm         |      | 60   | 63   | 79   | 92   | 111    | 123    | 142  |
| B               | INCHES     | 1.50 | 1.50 | 1.50 | 1.56 | 1.75 | 2.19   | 2.31   | 3.63 |
|                 | mm         | 38   | 38   | 38   | 39   | 44   | 55     | 58     | 92   |
| C               | INCHES     | 3.50 | 3.50 | 3.50 | 3.50 | 3.50 | 5.00   | 5.00   | 5.00 |
|                 | mm         | 89   | 89   | 89   | 89   | 89   | 127    | 127    | 127  |
| D               | INCHES     | N/A  | 1.63 | 1.50 | 1.63 | 1.81 | 2.44   | 2.69   | 2.94 |
|                 | mm         |      | 41   | 38   | 41   | 46   | 62     | 68     | 74   |
| Cv              |            |      | 10   | 13   | 25   | 43   | 85     | 112    | 180  |
| Tourque         | in/lb      | 18   | 18   | 18   | 22   | 35   | 50     | 70     | 120  |
| Weight<br>(lbs) | BB2-100    | 0.60 | 0.60 | 0.50 | 0.70 | 0.80 | 1.00   | 1.50   | 3.00 |
|                 | BB2-350    | N/A  | 0.50 | 0.50 | 0.60 | 1.00 | 1.60   | 2.00   | 3.70 |

The information presented on this sheet is correct at time of publication. Milwaukee Valve reserves the right to change design and/or materials without notice. For our Installation, Operation and Maintenance Manual and the most current product information go to [www.milwaukeevalve.com](http://www.milwaukeevalve.com).

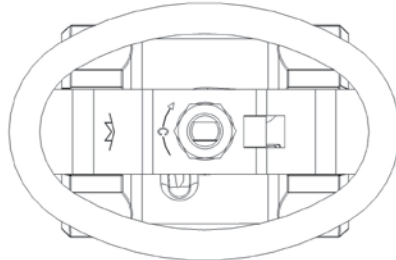
⚠ State of California Prop 65 **WARNING:** Cancer and Reproductive Harm. For more information visit [www.p65warnings.ca.gov](http://www.p65warnings.ca.gov).





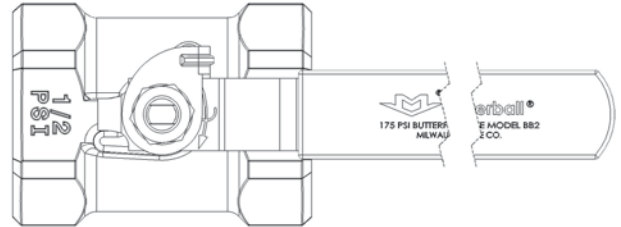
### Tee Handle Option

To Order Tee Handle,  
Add suffix "T" to Number.  
(E.g. BB2-100T)



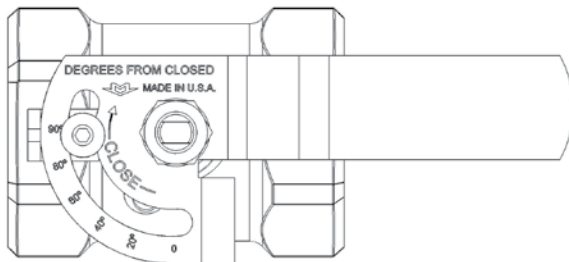
### Oval Handle Option

To Order Oval Handle,  
Add suffix "R" to Number.  
(E.g. BB2-100R)



### Memory Stop Option

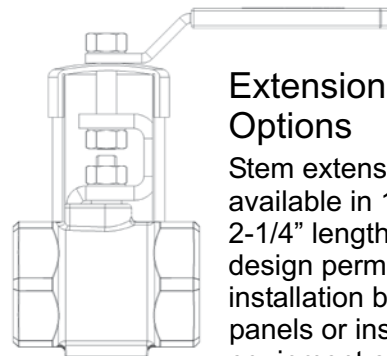
To Order Memory Stop Option,  
Use this Model Number, BB2-102



### Calibrated Memory Stop Handle Option

This Flow Set Handle Provides a  
visual 90 X Scale to Position  
the Memory Stop.

Order using Model Number BB2FS100.



### Extension Stem Options

Stem extensions are  
available in 1-1/4" &  
2-1/4" lengths. The  
design permits valve  
installation behind  
panels or inside  
equipment enclosures.

1-1/4" Extension, Order BB2-103

2-1/4" Extension, Order BB2-104

**NOTE: Some Accessories Can be  
Combined for Added Versatility.  
Consult Factory.**