



CLB23E 2"-12"

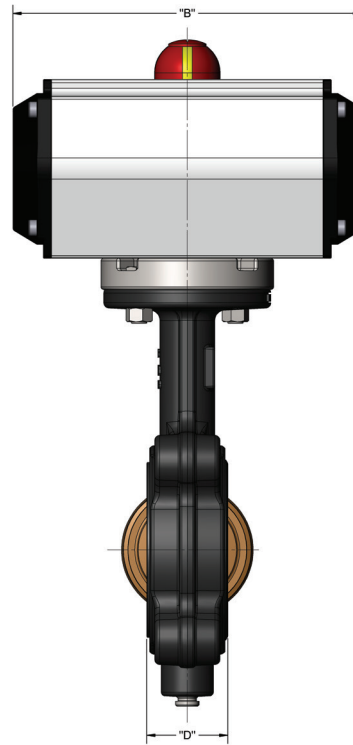
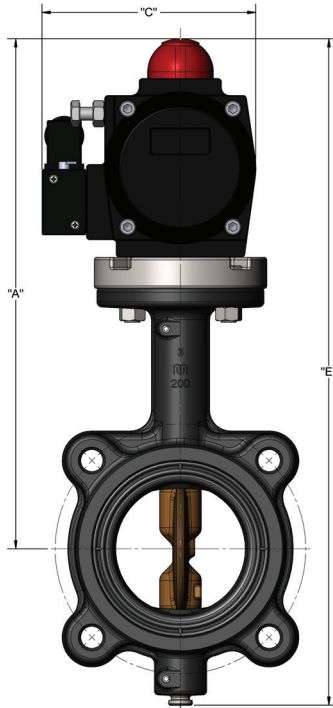


ABS Type Approved;
Cat. A
CFR-46



Tested and Certified by
IAPMO R&T to NSF/ANSI 372
and NSF/ANSI 61

**Iron Butterfly Valve for Potable Water
Lug Style
200 psi Non-Shock WOG
Bi-Directional Dead End Service to 200 psi Max
Spring Return Pneumatic Actuator
Specifications: API-609 MSS SP-67 Type 1**



- Cast Iron
- Lug Pattern
- Aluminum Bronze Disc
- EPDM Liner
- 200 WOG
- Temp Range: 0° to 250° F for HVAC service
- Spring return fail closed actuator
- 120V NEMA 4/4x NAMUR mounted solenoid
- For on/off service

DIMENSIONS

| SPRING RETURN ACTUATOR ASSEMBLY | | | | | | |
|---------------------------------|----------|----------------------|-------|------|------|-------|
| Valve Size | Model | Dimensions in Inches | | | | |
| | Actuator | A " | B " | C " | D " | E " |
| 2 | MC3S4C | 10.48 | 6.61 | 2.83 | 1.69 | 13.54 |
| 2 1/2 | MC3S4C | 10.98 | 6.61 | 2.83 | 1.81 | 14.29 |
| 3 | MC5S4C | 11.70 | 7.24 | 3.19 | 1.81 | 15.45 |
| 4 | MC10S4C | 13.14 | 10.31 | 3.86 | 2.07 | 17.39 |
| 5 | MC14S4C | 15.55 | 10.55 | 4.31 | 2.19 | 20.49 |
| 6 | MC29S4C | 16.89 | 11.65 | 5.02 | 2.19 | 22.45 |
| 8 | MC58S4C | 19.35 | 18.03 | 6.22 | 2.38 | 24.91 |
| 10 | MC58S4C | 20.53 | 18.03 | 6.22 | 2.69 | 28.41 |
| 12 | MC121S4C | 27.22 | 22.20 | 8.27 | 3.06 | 36.47 |

Note: Lead free refers to the wetted surface of the pipe, fittings and fixtures in potable water systems that have a weighted average lead content $\leq 0.25\%$. Source: California Health and Safety Code (116875).

The information presented on this sheet is correct at time of publication. Milwaukee Valve reserves the right to change design and/or materials without notice. For our Installation, Operation and Maintenance Manual and the most current product information go to www.milwaukeevalve.com.

⚠ State of California Prop 65 **WARNING:** Cancer and Reproductive Harm. For more information visit www.p65warnings.ca.gov.

