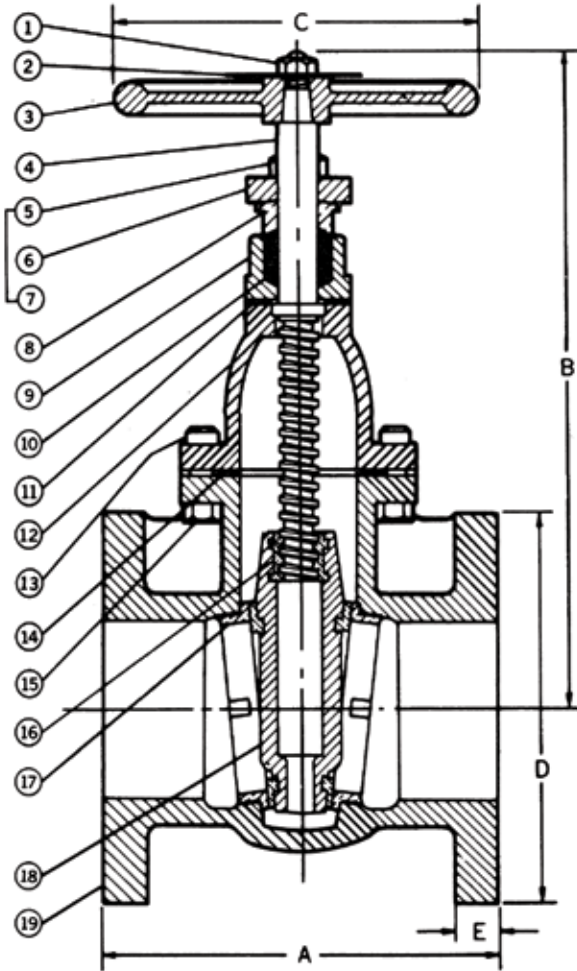


F-2882-M26 2"-12"

Iron Gate Valve
125 SWP - 200 WOG †
Non-Rising Stem • Solid Wedge Disc
Bolted Bonnet • Flanged Ends
Conforms to: MSS SP-70

Flange shape and drilling to specification ASME B 16.1 (125 lb.)



MATERIAL LIST			
No.	PART	MATERIAL	SPECIFICATION
1	Handwheel Nut	Ductile Iron	ASTM A536
2	Name Plate	Aluminum	
3	Handwheel	Cast Iron	ASTM A126, Class B
4	Stem	Steel	ASTM A108-Gr.1020
5	Gland Follower Nut	Steel	ASTM A307
6	Gland Follower	Ductile Iron	ASTM A536
7	Gland Follower Bolt	Steel	ASTM A307-B
8	Packing Gland	Cast Iron	ASTM A126, Class B
9	Stuffing Box	Cast Iron	ASTM A126, Class B
10	Packing	Graphite	Graphite
11	Stuffing Box Gasket	Graphite	Graphite
12	Bonnet	Cast Iron	ASTM A126, Class B
13	Body Nut	Steel	ASTM A307-A
14	Body Gasket	Graphite	Graphite
15	Body Nut	Steel	ASTM A563-B
16	Wedge Bushing	Ductile Iron	ASTM A536
17	Seat Ring	Cast Iron	ASTM A126, Class B
18	Wedge	Cast Iron	ASTM A126, Class B
19	Body	Cast Iron	ASTM A126, Class B
20	Stuffing Box Nut (not shown)	Steel	ASTM A563-B

DIMENSIONS - INCHES/MILLIMETERS							
Units	Size	A	B	C	D	E	C _v
Inches mm	2	7.00 178	12.00 305	7.00 178	6.00 152	0.63 16	215
Inches mm	2 1/2	7.50 191	13.25 337	7.00 178	7.00 178	0.69 17	335
Inches mm	3	8.00 203	13.50 343	8.00 203	7.50 191	0.75 19	510
Inches mm	4	9.00 229	17.00 432	10.00 254	9.00 229	0.94 24	945
Inches mm	5	10.00 254	18.00 457	12.00 305	10.00 254	0.94 24	1525
Inches mm	6	10.50 267	22.00 559	12.00 305	11.00 279	1.00 25	2250
Inches mm	8	11.50 292	26.50 673	14.00 356	13.50 343	1.13 29	4150
Inches mm	10	13.00 330	30.00 762	16.00 406	16.00 406	1.19 30	6700
Inches mm	12	14.00 356	35.00 889	18.00 457	19.00 483	1.25 32	9925

Note: The wetted surface of this product contacted by consumable water contains less than one quarter of one percent (.25%) of lead by weight. Meets the requirements of Senate law S.3874.

† Non-Shock

INNOVATION IN EVERY VALVE

The information presented on this sheet is correct at time of publication. Milwaukee Valve reserves the right to change design and/or materials without notice. For our Installation, Operation and Maintenance Manual and the most current product information go to www.milwaukeevalve.com.  State of California Prop 65 **WARNING:** Cancer and Reproductive Harm. For more information visit www.p65warnings.ca.gov.


MILWAUKEE VALVE