

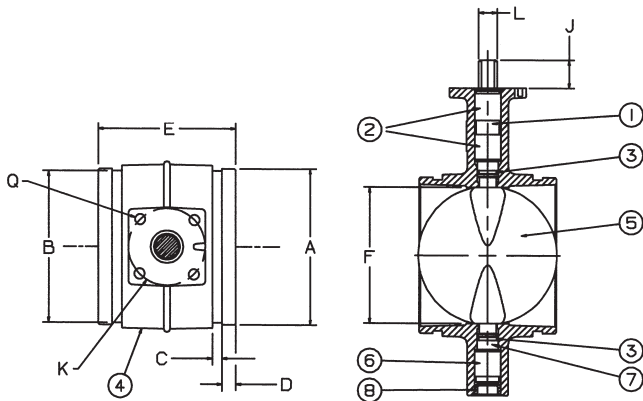


UPGG-245E/345E 2"-10"

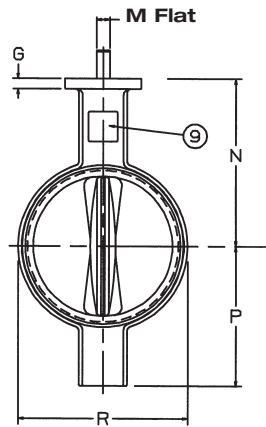


NSF/ANSI 61
NSF/ANSI 372

Polyamide Coated Ductile Iron Grooved End Butterfly, 300 psi Grooved Mechanical Style, Maximum Temperature Rating of 200° F Extended Neck, Elastomer Encapsulated Disc Grooved End Compatible with IPS Pipe Specifications: MSS SP-67



UPGG-245E



NOT RECOMMENDED FOR STEAM SERVICE

DIMENSIONS

	INCHES DN	VALVE SIZE							
		2	2 1/2	3	4	5	6	8	10
A	INCHES	2.38	2.88	3.50	4.50	5.56	6.63	8.63	10.75
	mm	60	73	89	114	141	168	219	273
B	INCHES	2.32	2.72	3.34	4.33	5.39	6.45	8.44	10.56
	mm	59	69	85	110	137	164	214	268
C	INCHES	.33	.31	.31	.38	.38	.38	.44	.50
	mm	8	8	8	10	10	10	11	13
D	INCHES	.63	.63	.63	.63	.63	.63	.75	.75
	mm	16	16	16	16	16	16	19	19
E	INCHES	3.33	3.85	3.85	4.56	5.86	5.86	5.26	6.29
	mm	85	98	98	116	149	149	134	160
F	INCHES	2.42	2.42	2.86	3.84	4.79	5.73	7.71	9.56
	mm	61	61	73	98	122	146	196	243
J	INCHES	1.31	1.22	1.18	1.24	1.24	1.29	1.32	1.38
	mm	33	31	30	32	32	33	34	35
L	INCHES	.50	.50	.50	.66	.66	.78	.78	1.06
	mm	13	13	13	17	17	20	20	27
M	INCHES	.37	.37	.37	.50	.50	.56	.56	.75
	mm	9	9	9	13	13	14	14	19
N	INCHES	4.00	4.19	4.44	5.33	5.83	7.11	8.05	9.86
	mm	102	106	113	135	148	181	204	250
P	INCHES	3.14	3.25	3.54	4.35	4.84	5.93	6.87	9.17
	mm	80	83	90	111	123	151	175	233
R	INCHES	2.89	3.46	3.97	5.03	6.27	7.25	9.25	11.25
	mm	73	88	101	128	159	184	235	286

UPGG-245E - Lever Operator

UPGG-345E - Gear Operator

MATERIALS LIST

ITEM	PART	MATERIALS	MATERIALS
1	UPPER STEM	STAINLESS STEEL	ASTM A582 TYPE 416
2	UPPER BEARING	SPLIT METAL	-
3	O-RING	EPDM	-
4	BODY	DUCTILE IRON	ASTM A395 W/POLYAMIDE COATING
5	DISC	DUCTILE IRON	ASTM A395 W/EPDM
6	LOWER BEARING	SPLIT METAL	-
7	LOWER STEM	STAINLESS STEEL	ASTM A582 TYPE 416
8	DUST PLUG	PVC	-
9	NAME PLATE	ALUMINUM	-

Note: Lead free refers to the wetted surface of the pipe, fittings and fixtures in potable water systems that have a weighted average lead content ≤ 0.25%. Source: California Health and Safety Code (116875).

The information presented on this sheet is correct at time of publication. Milwaukee Valve reserves the right to change design and/or materials without notice. For our Installation, Operation and Maintenance Manual and the most current product information go to www.milwaukeevalve.com.

⚠ State of California Prop 65 **WARNING:** Cancer and Reproductive Harm. For more information visit www.p65warnings.ca.gov.

