

THIS SPACE FOR DESIGNER/ENGINEER APPROVAL

Job/Customer _____	Date _____	Contractor _____
Model Specified _____	Qty _____	Approved By _____
Designer/Engineer _____	Date _____	Contractor's PO# _____
Submitted by _____	Date _____	Other _____

4040 Series
Full Port Forged Brass
Uni-Flange Ball Valves w/ Nuts & Bolts
IPS x Flange
600 WOG – ISO 9001

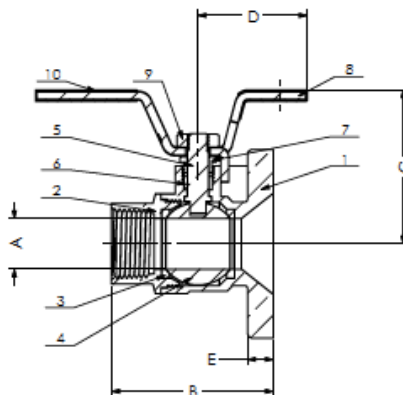
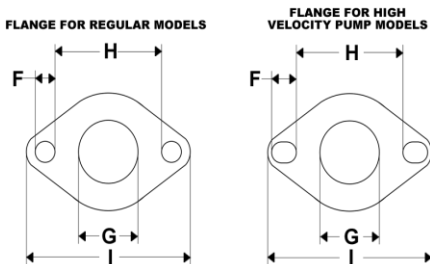


ITEM #	SIZE	CTN	CASE	A	B	C	D	E	F	G	H	I
40402	1/2"	1	20	1/2	2 1/4	1 7/8	1 5/8	3/8	1/2	1 1/2	2 11/16	4 1/8
40403	3/4"	1	20	3/4	2 3/8	2 1/16	1 5/8	3/8	1/2	1 1/2	2 11/16	4 1/8
40404	1"	1	20	1	2 11/16	2 1/2	1 5/8	3/8	1/2	1 1/2	2 11/16	4 1/8
40405	1 1/4"	1	20	1 1/4	2 7/8	2 3/8	2 3/8	3/8	1/2	1 1/2	2 11/16	4 1/8
40406	1 1/2"	1	20	1 1/2	4	3 3/8	2 3/8	3/8	1/2	1 1/2	2 11/16	4 1/8
HV MODELS FIT BOTH STANDARD & HIGH VELOCITY PUMPS												
40404HV	1"	1	20	1	2 11/16	2 1/2	1 5/8	3/8	5/8	1 1/2	2 11/16	4 1/8
40405HV	1 1/4"	1	20	1 1/4	2 7/8	2 13/16	2 3/8	3/8	5/8	1 1/2	2 11/16	4 1/8
40406HV	1 1/2"	1	20	1 1/2	4	3 3/8	2 3/8	3/8	5/8	1 1/2	2 11/16	4 1/8
40407HV	2"	1	10	2	4 7/16	3 3/4	2 3/8	3/8	5/8	1 1/2	2 11/16	4 1/8



NO.	DESCRIPTION	MATERIAL
1	FLANGED BODY	BRASS
2	END CAP	BRASS
3	SEATS	PTFE
4	BALL	BRASS CHROME PLATED
5	STEM	BRASS
6	STEM SEAL	PTFE
7	PACKING GLAND	BRASS
8	LEVER HANDLE	STEEL CHROME PLATED
9	HANDLE NUT	STAINLESS STEEL
10	HANDLE JACKET	VINYL
11	FLANGE BOLTS & NUTS	STEEL ZINC PLATED

TEMP	PSI
100	600
150	490
200	470
250	439
300	411
350	294
366	N/A



Specifications: Designed for residential, commercial or industrial use with water or a glycol mixture. This approved Webstone valve is actuated by a blowout proof stem and features an adjustable packing gland. Flange features a conical inlet to minimize turbulence. Threaded ends comply with ANSI B1.20.1.



Quality and Commitment Since 1954

www.webstonevalves.com • P: (800) 225-9529 • F: (800) 336-5133

Webstone product specifications in U.S. customary units are approximate and are provided for reference only. Webstone reserves the right to change or modify product design, construction, specifications or materials without prior notice and without incurring any obligation to make such changes and modifications on Webstone products previously or subsequently sold.

THIS SPACE FOR DESIGNER/ENGINEER APPROVAL

Job/Customer _____	Date _____	Contractor _____
Model Specified _____	Qty _____	Approved By _____
Designer/Engineer _____	Date _____	Contractor's PO# _____
Submitted by _____	Date _____	Other _____

5040 Series
Full Port Forged Brass
Uni-Flange Ball Valves w/ Nuts & Bolts
SWT x Flange
600 WOG – ISO 9001

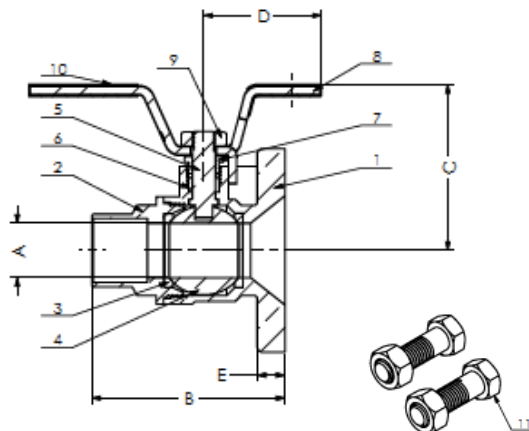
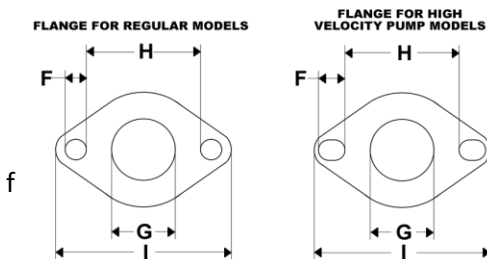


ITEM #	SIZE	CTN	CASE	A	B	C	D	E	F	G	H	I
50402	1/2"	1	20	1/2	2 1/8	1 7/8	1 5/8	3/8	1/2	1 1/2	2 11/16	4 1/8
50403	3/4"	1	20	3/4	2 9/16	2 1/16	1 5/8	3/8	1/2	1 1/2	2 11/16	4 1/8
50404	1"	1	20	1	2 15/16	2 1/2	1 5/8	3/8	1/2	1 1/2	2 11/16	4 1/8
50405	1 1/4"	1	20	1 1/4	3 1/8	2 13/16	2 3/8	3/8	1/2	1 1/2	2 11/16	4 1/8
50406	1 1/2"	1	20	1 1/2	4 3/8	3 3/8	2 3/8	3/8	1/2	1 1/2	2 11/16	4 1/8
HV MODELS FIT BOTH STANDARD & HIGH VELOCITY PUMPS												
50404HV	1"	1	20	1	2 15/16	2 1/2	1 5/8	3/8	5/8	1 1/2	2 11/16	4 1/8
50405HV	1 1/4"	1	20	1 1/4	3 1/8	2 13/16	2 3/8	3/8	5/8	1 1/2	2 11/16	4 1/8
50406HV	1 1/2"	1	20	1 1/2	4 3/8	3 3/8	2 3/8	3/8	5/8	1 1/2	2 11/16	4 1/8
50407HV	2"	1	10	2	5 1/16	3 3/4	2 3/8	3/8	5/8	2	2 11/16	4 1/8



NO.	DESCRIPTION	MATERIAL
1	FLANGED BODY	BRASS
2	END CAP	BRASS
3	SEATS	PTFE
4	BALL	BRASS CHROME PLATED
5	STEM	BRASS
6	STEM SEAL	PTFE
7	PACKING GLAND	BRASS
8	LEVER HANDLE	STEEL CHROME PLATED
9	HANDLE NUT	STAINLESS STEEL
10	HANDLE JACKET	VINYL
11	FLANGE BOLTS & NUTS	STEEL ZINC PLATED

TEMP	PSI
100	600
150	485
200	395
250	210
300	N/A
350	N/A
366	N/A



Specifications: Designed for residential, commercial or industrial use with water or a glycol mixture. This approved Webstone valve is actuated by a blowout proof stem and features an adjustable packing gland. Flange features a conical inlet to minimize turbulence. Solder joint temperature ratings are per ASME B16.18 Annex A for 95-5 solder. Other solder materials have lower pressure/temperature limits. Do not silver braze or over heat valves when soldering.



Quality and Commitment Since 1954

www.webstonevalves.com • P: (800) 225-9529 • F: (800) 336-5133

Webstone product specifications in U.S. customary units are approximate and are provided for reference only. Webstone reserves the right to change or modify product design, construction, specifications or materials without prior notice and without incurring any obligation to make such changes and modifications on Webstone products previously or subsequently sold.