

THIS SPACE FOR DESIGNER/ENGINEER APPROVAL

Job/Customer _____	Date _____	Contractor _____
Model Specified _____	Qty _____	Approved By _____
Designer/Engineer _____	Date _____	Contractor's PO# _____
Submitted by _____	Date _____	Other _____

4140 Series
Full Port Forged Brass Uni-Flange Ball Valves
w/ Detachable Rotating Flange
& Adjustable Packing Gland
Bonus Wing Style "T" Handle*, Nuts & Bolts
IPS x Rotating Flange
600 WOG



STANDARD BRASS ITEM # (SB)	SIZE	CTN	CASE	A	B	C	D	E	F	G	H	I
41403	3/4"	2	20	3/4	2 3/8	2 13/16	3 7/8	7/16	1/2	1 1/2	2 11/16	4 1/8
41404	1"	2	20	1	3 1/16	2 5/8	4 11/16	7/16	1/2	1 1/2	2 11/16	4 1/8
41405	1 1/4"	2	20	1 1/4	3 1/4	2 15/16	4 11/16	7/16	1/2	1 1/2	2 11/16	4 1/8
41406	1 1/2"	2	20	1 1/2	4	3 1/2	5 5/8	7/16	1/2	1 1/2	2 11/16	4 1/8
HV MODELS FIT BOTH STANDARD & HIGH VELOCITY PUMPS												
41403HV	3/4"	2	20	3/4	2 3/8	2 13/16	3 7/8	7/16	5/8	1 1/2	2 11/16	4 1/8
41404HV	1"	2	20	1	3 1/16	2 5/8	4 11/16	7/16	5/8	1 1/2	2 11/16	4 1/8
41405HV	1 1/4"	2	20	1 1/4	3 1/4	2 15/16	4 11/16	7/16	5/8	1 1/2	2 11/16	4 1/8
41406HV	1 1/2"	2	20	1 1/2	4	3 1/2	5 5/8	7/16	5/8	1 1/2	2 11/16	4 1/8
--	2"	1	-	1 1/2	4	3 1/2		7/16	5/8	1 1/2	2 11/16	4 1/8



4140 - Standard Brass

NO.	DESCRIPTION	MATERIAL
1	FLANGED BODY	BRASS
2	END CAP	BRASS
3	SEATS	PTFE
4	BALL	BRASS HCP
5	STEM	BRASS
6	STEM SEAL	PTFE
7	PACKING GLAND	BRASS
8	LEVER HANDLE	STEEL CP
9	WING STYLE "T" HANDLE	STEEL CP
10	HANDLE NUT	STAINLESS STEEL
11	HANDLE JACKET	VINYL
12	ROTATING FLANGE	BRASS
13	ROTATING FLANGE RING	STAINLESS STEEL
14	FLANGE BOLTS & NUTS	STEEL ZP

TEMP °F	PSI
100	600
150	485
200	395
250	210
300	N/A
350	N/A
366	N/A



Quality and Commitment Since 1954

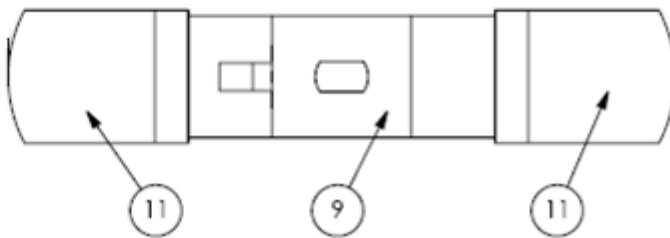
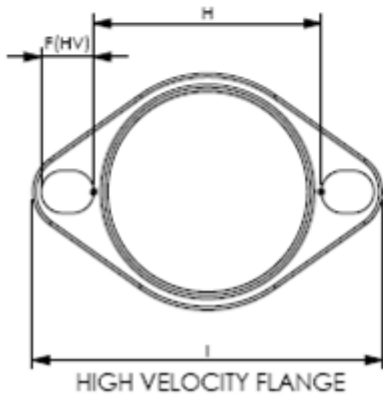
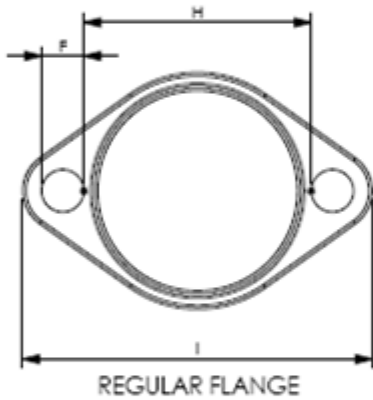
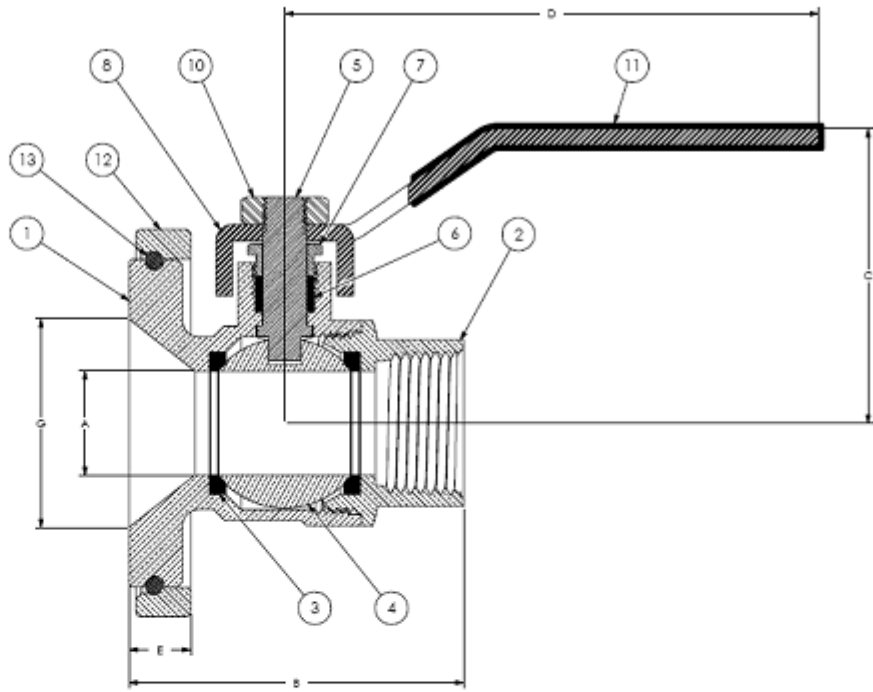
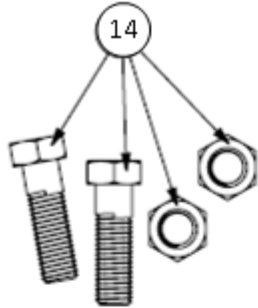
www.webstonevalves.com · P: (800) 225-9529 · F: (800) 336-5133

Webstone product specifications in U.S. customary units are approximate and are provided for reference only. Webstone reserves the right to change or modify product design, construction, specifications or materials without prior notice and without incurring any obligation to make such changes and modifications on Webstone products previously or subsequently sold.

4140-4140Wspec_031814

THIS SPACE FOR DESIGNER/ENGINEER APPROVAL

Job/Customer _____	Date _____	Contractor _____
Model Specified _____	Qty _____	Approved By _____
Designer/Engineer _____	Date _____	Contractor's PO# _____
Submitted by _____	Date _____	Other _____



Specifications: Designed for residential, commercial or industrial use with water or a glycol mixture. This approved Webstone valve is actuated by a blowout proof stem and features an adjustable packing gland. Flange features a conical inlet to minimize turbulence. The rotating flange is secured by a snug-fit snap-ring that provides greater control over positioning during installation. Threaded ends comply with ANSI B1.20.1. *Bonus wing style "T" handle included with standard brass products only.



Quality and Commitment Since 1954

www.webstonevalves.com · P: (800) 225-9529 · F: (800) 336-5133

Webstone product specifications in U.S. customary units are approximate and are provided for reference only. Webstone reserves the right to change or modify product design, construction, specifications or materials without prior notice and without incurring any obligation to make such changes and modifications on Webstone products previously or subsequently sold.

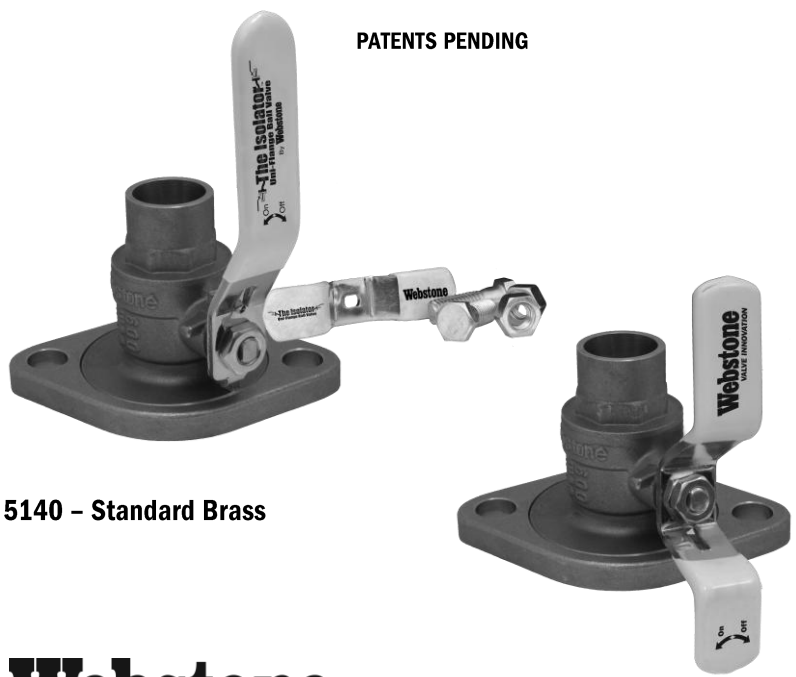
THIS SPACE FOR DESIGNER/ENGINEER APPROVAL

Job/Customer _____	Date _____	Contractor _____
Model Specified _____	Qty _____	Approved By _____
Designer/Engineer _____	Date _____	Contractor's PO# _____
Submitted by _____	Date _____	Other _____

5140 Series
Full Port Forged Brass Uni-Flange Ball Valves
w/ Detachable Rotating Flange
& Adjustable Packing Gland
Bonus Wing Style "T" Handle*, Nuts & Bolts
SWT x Rotating Flange
600 WOG



ITEM #	SIZE	CTN	CASE	A	B	C	D	E	F	G	H	I
51403	3/4"	2	20	3/4	2 9/16	2 3/16	3 7/8	7/16	1/2	1 1/2	2 11/16	4 1/8
51404	1"	2	20	1	3 5/16	2 5/8	4 11/16	7/16	1/2	1 1/2	2 11/16	4 1/8
51405	1 1/4"	2	20	1 1/4	3 7/16	2 15/16	4 11/16	7/16	1/2	1 1/2	2 11/16	4 1/8
51406	1 1/2"	2	20	1 1/2	4 3/8	3 1/2	5 5/8	7/16	1/2	1 1/2	2 11/16	4 1/8
HV MODELS FIT BOTH STANDARD & HIGH VELOCITY PUMP												
51403HV	3/4"	2	20	3/4	2 9/16	2 3/16	3 7/8	7/16	5/8	1 1/2	2 11/16	4 1/8
51404HV	1"	2	20	1	3 5/16	2 5/8	4 11/16	7/16	5/8	1 1/2	2 11/16	4 1/8
51405HV	1 1/4"	2	20	1 1/4	3 7/16	2 15/16	4 11/16	7/16	5/8	1 1/2	2 11/16	4 1/8
51406HV	1 1/2"	2	20	1 1/2	4 3/8	3 1/2	5 5/8	7/16	5/8	1 1/2	2 11/16	4 1/8
--	2"	1	-	1 1/2	4 5/8	3 1/2	-	7/16	5/8	1 1/2	2 11/16	4 1/8



PATENTS PENDING

5140 - Standard Brass

NO.	DESCRIPTION	MATERIAL
1	FLANGED BODY	BRASS
2	END CAP	BRASS
3	SEATS	PTFE
4	BALL	BRASS HCP
5	STEM	BRASS
6	STEM SEAL	PTFE
7	PACKING GLAND	BRASS
8	LEVER HANDLE	STEEL CP
9	WING STYLE "T" HANDLE	STEEL CP
10	HANDLE NUT	STAINLESS STEEL
11	HANDLE JACKET	VINYL
12	ROTATING FLANGE	BRASS
13	ROTATING FLANGE RING	STAINLESS STEEL
14	FLANGE BOLTS & NUTS	STEEL ZP

TEMP °F	PSI
100	600
150	485
200	395
250	210
300	N/A
350	N/A
366	N/A



Quality and Commitment Since 1954

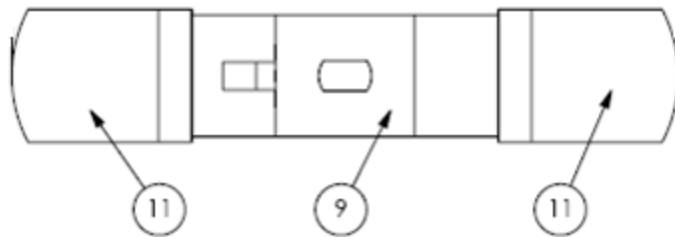
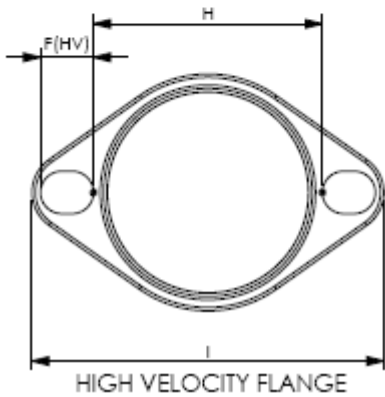
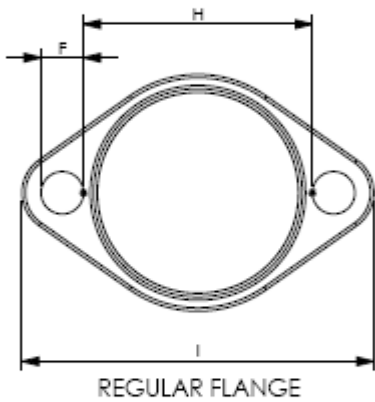
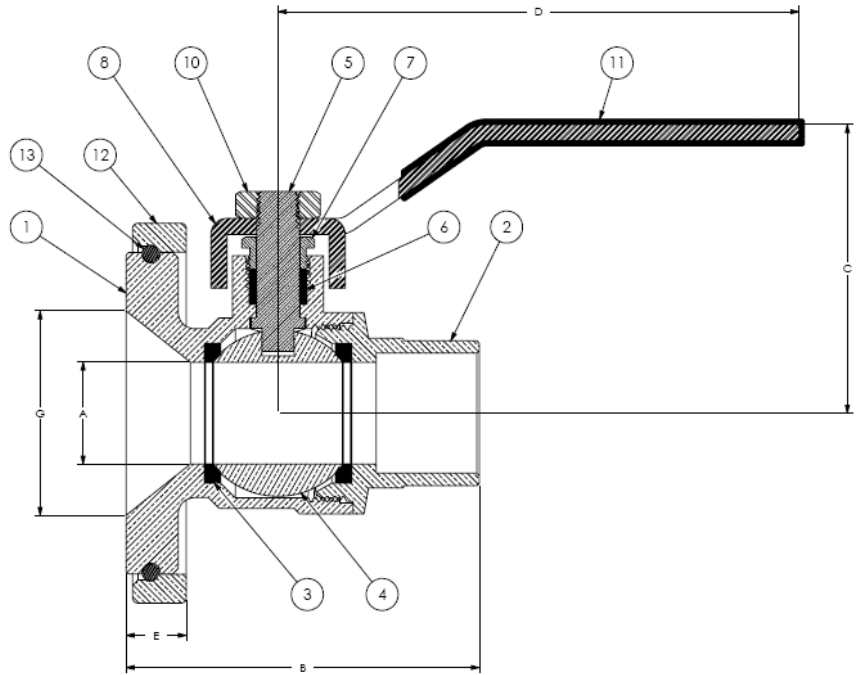
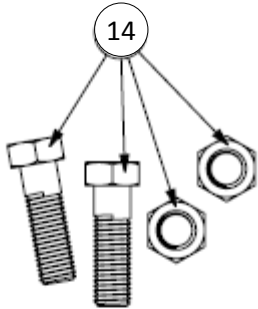
www.webstonevalves.com · P: (800) 225-9529 · F: (800) 336-5133

Webstone product specifications in U.S. customary units are approximate and are provided for reference only. Webstone reserves the right to change or modify product design, construction, specifications or materials without prior notice and without incurring any obligation to make such changes and modifications on Webstone products previously or subsequently sold.

5140-5140Wspec_032514

THIS SPACE FOR DESIGNER/ENGINEER APPROVAL

Job/Customer _____	Date _____	Contractor _____
Model Specified _____	Qty _____	Approved By _____
Designer/Engineer _____	Date _____	Contractor's PO# _____
Submitted by _____	Date _____	Other _____



Specifications: Designed for residential, commercial or industrial use with water or a glycol mixture. This approved Webstone valve is actuated by a blowout proof stem and features an adjustable packing gland. Flange features a conical inlet to minimize turbulence. The rotating flange is secured by a snug-fit snap-ring that provides greater control over positioning during installation. Solder joint temperature ratings are per ASME B16.18 Annex A for 95-5 solder. Other solder materials have lower pressure/temperature limits. Do not silver braze or overheat valves when soldering. *Bonus handle included with standard brass products only.

Webstone
VALVE INNOVATION

Quality and Commitment Since 1954

www.webstonevalves.com · P: (800) 225-9529 · F: (800) 336-5133

Webstone product specifications in U.S. customary units are approximate and are provided for reference only. Webstone reserves the right to change or modify product design, construction, specifications or materials without prior notice and without incurring any obligation to make such changes and modifications on Webstone products previously or subsequently sold.

5140-5140Wspec_032514



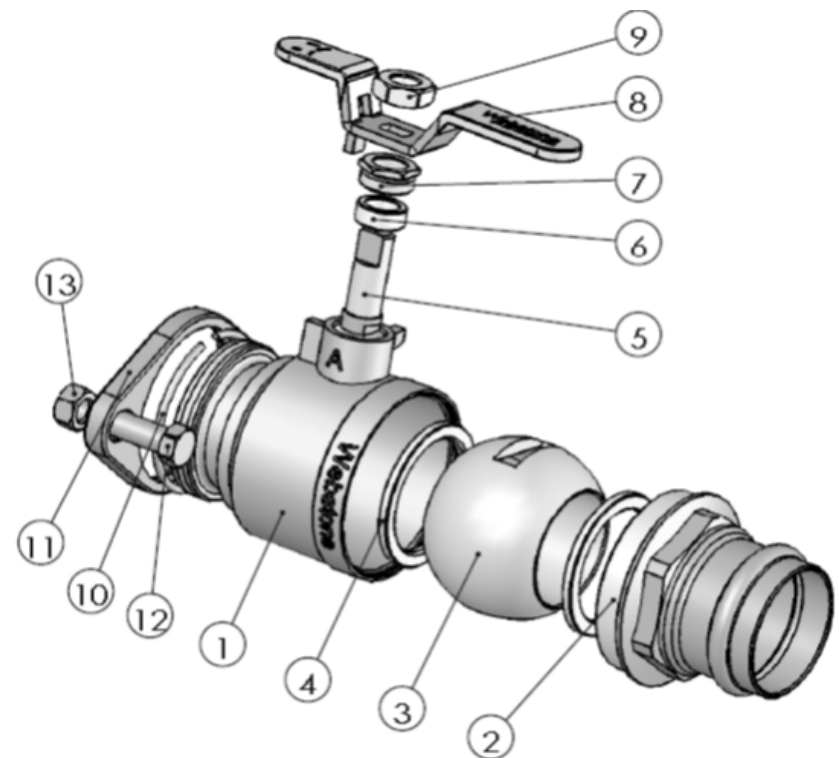
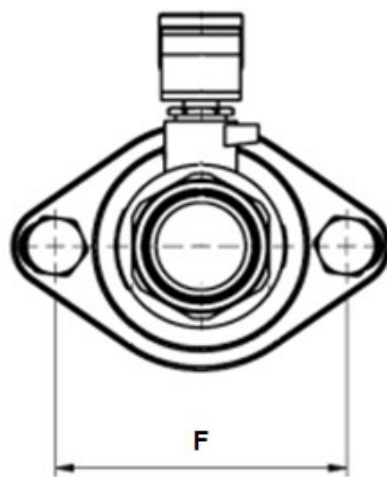
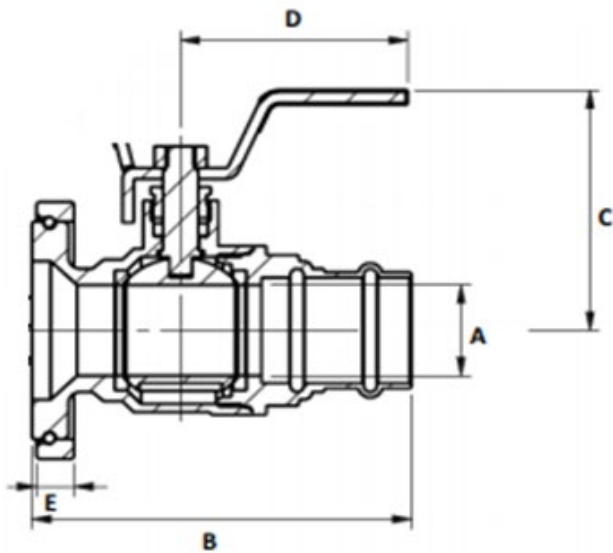
H-8140 Series

The Isolator w/ Rotating Flange
Full Port Forged Brass Uni-Flange Ball Valve
w/ Detachable Rotating Flange,
Adjustable Packing Gland,
Nuts & Bolts

The ISOLATOR®

UNI-FLANGE BALL VALVE®

NO.	DESCRIPTION	MATERIAL
1	BODY	BRASS
2	END CAP	BRASS
3	BALL	BRASS CP
4	SEAT	PTFE
5	STEM	BRASS
6	PACKING GLAND	PTFE
7	PACKING NUT	BRASS
8	HANDLE	STEEL CP
9	HANDLE NUT	STAINLESS STEEL
10	ROTATING FLANGE RING	STAINLESS STEEL
11	ROTATING FLANGE	BRASS
12	FLANGE BOLTS	STAINLESS STEEL
13	FLANGE NUTS	STAINLESS STEEL



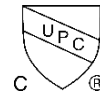
Designed for residential, commercial or industrial use with water, oil or gas. This approved Webstone valve is actuated by a blowout proof stem and features an adjustable packing nut. *Slotted bolt holes accommodate both standard and high velocity pumps.

ITEM#	Connection Type	SIZE (in)	Pressure Rating	Max Temp	A	B	C	D	E	F
H-81403	Press x Rotating Flange	3/4	250 PSI CWP Max	250°F Max	0.75	3.31	2.13	2.38	0.38	3.19
* H-81403HV	Press x Rotating Flange	3/4	250 PSI CWP Max	250°F Max	0.75	3.31	2.13	2.38	0.38	3.19
H-81404	Press x Rotating Flange	1	250 PSI CWP Max	250°F Max	1.00	4.00	2.63	3.38	0.38	3.19
* H-81404HV	Press x Rotating Flange	1	250 PSI CWP Max	250°F Max	1.00	4.00	2.63	3.38	0.38	3.19
H-81405	Press x Rotating Flange	1 1/4	250 PSI CWP Max	250°F Max	1.25	4.44	2.94	3.38	0.38	3.19
* H-81405HV	Press x Rotating Flange	1 1/4	250 PSI CWP Max	250°F Max	1.25	4.44	2.94	3.38	0.38	3.19
H-81406	Press x Rotating Flange	1 1/2	250 PSI CWP Max	250°F Max	1.50	4.94	3.19	3.38	0.38	3.19
* H-81406HV	Press x Rotating Flange	1 1/2	250 PSI CWP Max	250°F Max	1.50	4.94	3.19	3.38	0.38	3.19
* H-81407HV	Press x Rotating Flange	2	250 PSI CWP Max	250°F Max	2	5.81	3.56	3.38	0.38	3.69



1140 Series

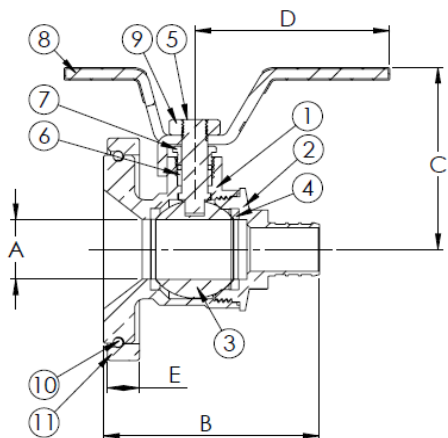
The Isolator w/ Rotating Flange
Full Port Forged Dezincification Resistant Brass Uni-Flange Ball Valve
w/ Detachable Rotating Flange,
Adjustable Packing Gland,
Nuts & Bolts
ASTM F1807 PEX x Rotating Flange
Max Operating Pressure: 400 WOG
Certified to NSF/ANSI 61 & 372, NSF/ANSI 14 & IAPMO ANSI Z1157
ISO 9001



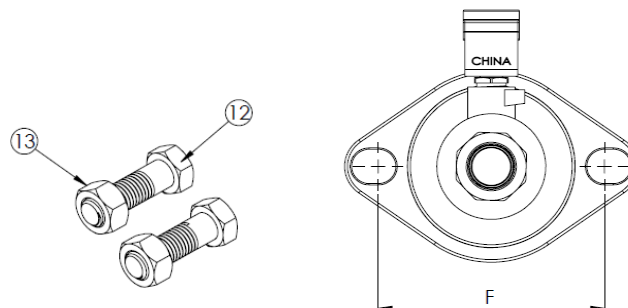
ITEM#	SIZE (in)	CTN	CASE	A	B	C	D	E	F
H-11403W	3/4	1	20	0.75	2.75	2.25	2.38	0.38	3.50
H-11404W	1	1	20	1.00	2.92	2.63	3.38	0.38	3.50
HV MODELS FIT BOTH STANDARD AND HIGH VELOCITY PUMPS									
H-11403WHV	3/4	1	20	0.75	2.75	2.25	2.38	0.38	3.19
H-11404WHV	1	1	20	1.00	2.92	2.63	2.38	0.38	3.19



NO.	DESCRIPTION	MATERIAL
1	Body	Lead Free Brass
2	End Cap	Lead Free Brass
3	Ball	Lead Free Brass
4	Seats	PTFE
5	Stem	Lead Free Brass
6	Packing Gland	PTFE
7	Packing Nut	Brass
8	Handle	Chrome Plated Steel
9	Handle Nut	Stainless Steel
10	Retaining Ring	Stainless Steel
11	Rotating Flange	Brass
12	Flange Bolts	Stainless Steel
13	Flange Nuts	Stainless Steel



Designed for residential, commercial or industrial use with water, oil or gas. This approved Webstone valve is actuated by a blowout proof stem and features an adjustable packing nut. PEX end dimensions comply with ASTM F1807



3140 Series

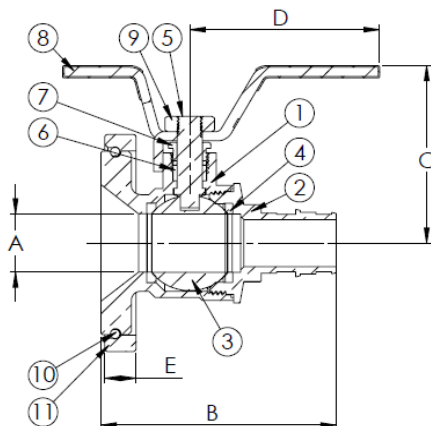
The Isolator w/ Rotating Flange
Full Port Forged Dezincification Resistant Brass Uni-Flange Ball Valve
w/ Detachable Rotating Flange,
Adjustable Packing Gland,
Nuts & Bolts
ASTM F1960 PEX x Rotating Flange
Max Operating Pressure: 400 WOG
Certified to NSF/ANSI 61 & 372, NSF/ANSI 14 & IAPMO ANSI Z1157
ISO 9001



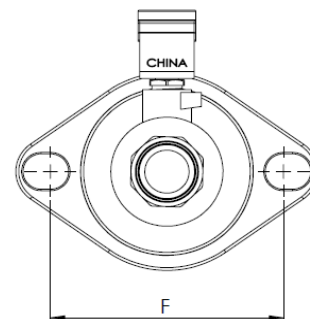
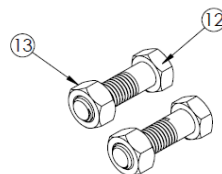
ITEM#	SIZE (in)	CTN	CASE	A	B	C	D	E	F
H-31403W	3/4	1	20	0.75	3.00	2.25	2.38	0.38	3.50
H-31404W	1	1	20	1.00	3.95	2.63	3.38	0.38	3.50
HV MODELS FIT BOTH STANDARD AND HIGH VELOCITY PUMPS									
H-31403WHV	3/4	1	20	0.75	3.00	2.25	2.38	0.38	3.19
H-31404WHV	1	1	20	1.00	3.95	2.63	2.38	0.38	3.19



NO.	DESCRIPTION	MATERIAL
1	Body	Lead Free Brass
2	End Cap	Lead Free Brass
3	Ball	Lead Free Brass
4	Seats	PTFE
5	Stem	Lead Free Brass
6	Packing Gland	PTFE
7	Packing Nut	Brass
8	Handle	Chrome Plated Steel
9	Handle Nut	Stainless Steel
10	Retaining Ring	Stainless Steel
11	Rotating Flange	Brass
12	Flange Bolts	Stainless Steel
13	Flange Nuts	Stainless Steel



Designed for residential, commercial or industrial use with water, oil or gas. This approved Webstone valve is actuated by a blowout proof stem and features an adjustable packing nut. PEX end dimensions comply with ASTM F1960



THIS SPACE FOR DESIGNER/ENGINEER APPROVAL

Job/Customer _____	Date _____	Contractor _____
Model Specified _____	Qty _____	Approved By _____
Designer/Engineer _____	Date _____	Contractor's PO# _____
Submitted by _____	Date _____	Other _____

4140W Series
Full Port Forged Brass Uni-Flange Ball Valves
w/ Detachable Rotating Flange
& Adjustable Packing Gland
Bonus Wing Style "T" Handle*, Nuts & Bolts
IPS x Rotating Flange
600 WOG



Lead free products are certified to NSF/ANSI 61 & NSF/ANSI 372

ITEM #	SIZE	CTN	CASE	A	B	C	D	E	F	G	H	I
41403W	3/4"	2	20	3/4	2 3/8	2 13/16	4	7/16	1/2	1 1/2	2 11/16	4 1/8
41404W	1"	2	20	1	3 1/16	2 5/8	4	7/16	1/2	1 1/2	2 11/16	4 1/8
41405W	1 1/4"	2	20	1 1/4	3 1/4	2 15/16	5 3/4	7/16	1/2	1 1/2	2 11/16	4 1/8
41406W	1 1/2"	2	10	1 1/2	4	3 1/2	5 3/4	7/16	1/2	1 1/2	2 11/16	4 1/8
HV MODELS FIT BOTH STANDARD & HIGH VELOCITY PUMPS												
41403WHV	3/4"	2	20	3/4	2 3/8	2 13/16	4	7/16	5/8	1 1/2	2 11/16	4 1/8
41404WHV	1"	2	20	1	3 1/16	2 5/8	4	7/16	5/8	1 1/2	2 11/16	4 1/8
41405WHV	1 1/4"	2	20	1 1/4	3 1/4	2 15/16	5 3/4	7/16	5/8	1 1/2	2 11/16	4 1/8
41406WHV	1 1/2"	2	10	1 1/2	4	3 1/2	5 3/4	7/16	5/8	1 1/2	2 11/16	4 1/8
41407WHV	2"	1	10	1 1/2	4	3 1/2	5 3/4	7/16	5/8	1 1/2	2 11/16	4 1/8



PATENTS PENDING

NO.	DESCRIPTION	MATERIAL
1	FLANGED BODY	BRASS
2	END CAP	BRASS
3	SEATS	PTFE
4	BALL	BRASS HCP
5	STEM	BRASS
6	STEM SEAL	PTFE
7	PACKING GLAND	BRASS
8	LEVER HANDLE	STEEL CP
9	WING STYLE "T" HANDLE	STEEL CP
10	HANDLE NUT	STAINLESS STEEL
11	HANDLE JACKET	VINYL
12	ROTATING FLANGE	BRASS
13	ROTATING FLANGE RING	STAINLESS STEEL
14	FLANGE BOLTS & NUTS	STEEL ZP

TEMP °F	PSI
100	600
150	485
200	395
250	210
300	N/A
350	N/A
366	N/A



Quality and Commitment Since 1954

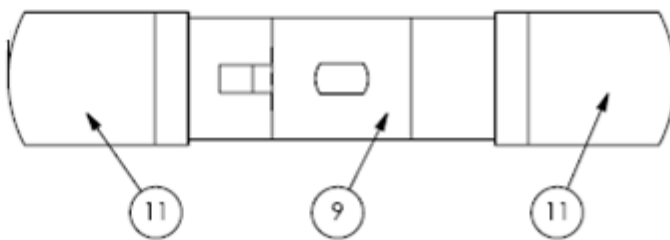
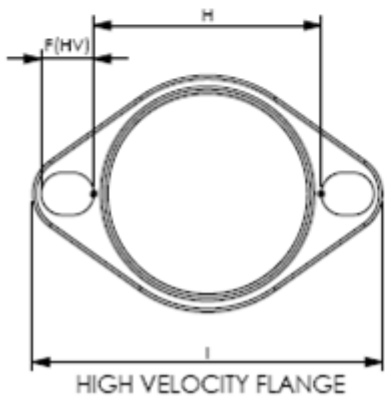
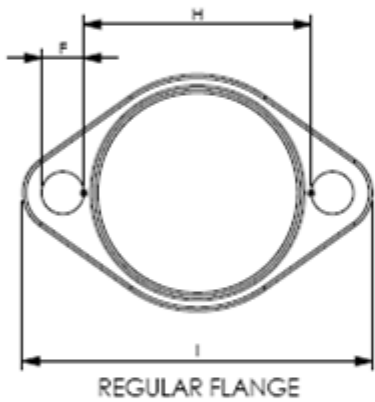
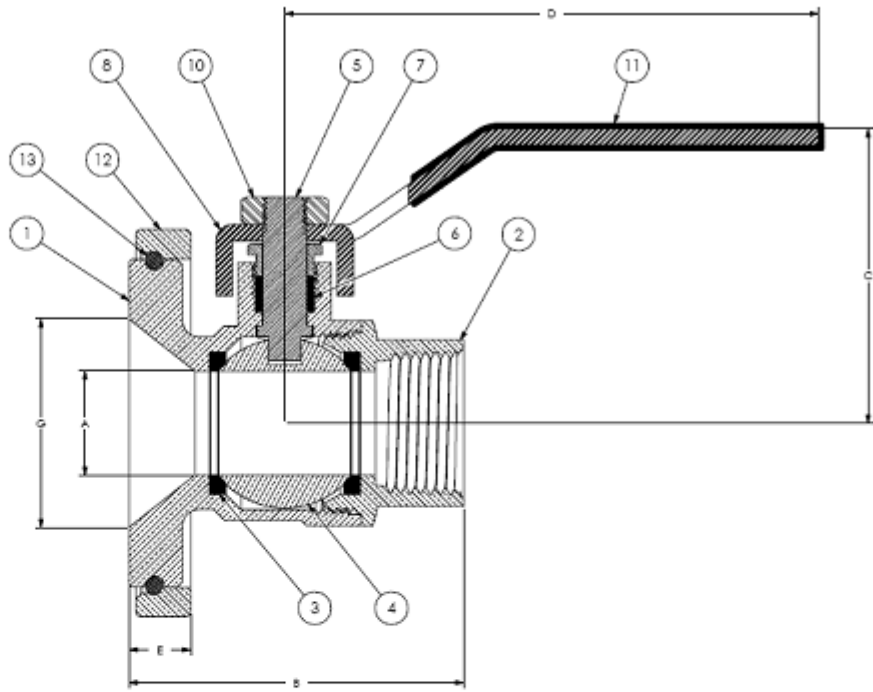
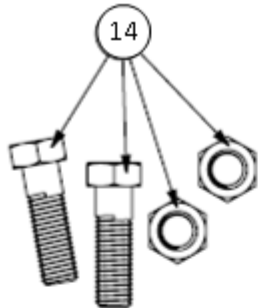
www.webstonevalves.com · P: (800) 225-9529 · F: (800) 336-5133

Webstone product specifications in U.S. customary units are approximate and are provided for reference only. Webstone reserves the right to change or modify product design, construction, specifications or materials without prior notice and without incurring any obligation to make such changes and modifications on Webstone products previously or subsequently sold.

4140-4140Wspec_031814

THIS SPACE FOR DESIGNER/ENGINEER APPROVAL

Job/Customer _____	Date _____	Contractor _____
Model Specified _____	Qty _____	Approved By _____
Designer/Engineer _____	Date _____	Contractor's PO# _____
Submitted by _____	Date _____	Other _____



Specifications: Designed for residential, commercial or industrial use with water or a glycol mixture. This approved Webstone valve is actuated by a blowout proof stem and features an adjustable packing gland. Flange features a conical inlet to minimize turbulence. The rotating flange is secured by a snug-fit snap-ring that provides greater control over positioning during installation. Threaded ends comply with ANSI B1.20.1. *Bonus wing style "T" handle included with standard brass products only.



Quality and Commitment Since 1954

www.webstonevalves.com · P: (800) 225-9529 · F: (800) 336-5133

Webstone product specifications in U.S. customary units are approximate and are provided for reference only. Webstone reserves the right to change or modify product design, construction, specifications or materials without prior notice and without incurring any obligation to make such changes and modifications on Webstone products previously or subsequently sold.

THIS SPACE FOR DESIGNER/ENGINEER APPROVAL

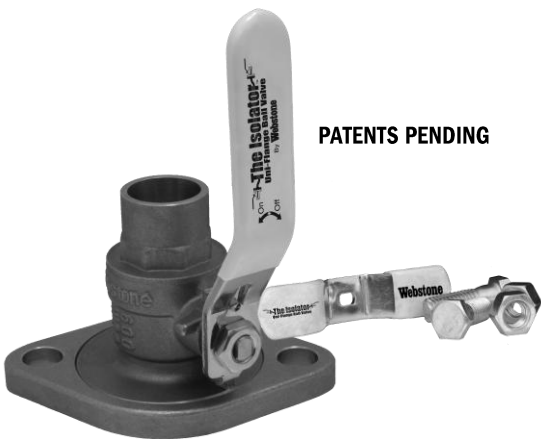
Job/Customer _____	Date _____	Contractor _____
Model Specified _____	Qty _____	Approved By _____
Designer/Engineer _____	Date _____	Contractor's PO# _____
Submitted by _____	Date _____	Other _____

H-5140W Series
Full Port Forged Brass Uni-Flange Ball Valves
w/ Detachable Rotating Flange
& Adjustable Packing Gland
Bonus Wing Style "T" Handle*, Nuts & Bolts
SWT x Rotating Flange
600 WOG



Lead free products are certified to NSF/ANSI 61 & NSF/ANSI 372

MATERIAL	SIZE	CTN	CASE	A	B	C	D	E	F	G	H	I
51403W	3/4"	2	20	3/4	2 9/16	2 3/16	4	7/16	1/2	1 1/2	2 11/16	4 1/8
51404W	1"	2	20	1	3 5/16	2 5/8	4	7/16	1/2	1 1/2	2 11/16	4 1/8
51405W	1 1/4"	2	20	1 1/4	3 7/16	2 15/16	5 3/4	7/16	1/2	1 1/2	2 11/16	4 1/8
51406W	1 1/2"	2	10	1 1/2	4 3/8	3 1/2	5 3/4	7/16	1/2	1 1/2	2 11/16	4 1/8
HV MODELS FIT BOTH STANDARD & HIGH VELOCITY PUMPS												
51403HW	3/4"	2	20	3/4	2 9/16	2 3/16	4	7/16	5/8	1 1/2	2 11/16	4 1/8
51404WHV	1"	2	20	1	3 5/16	2 5/8	4	7/16	5/8	1 1/2	2 11/16	4 1/8
51405WHV	1 1/4"	2	20	1 1/4	3 7/16	2 15/16	5 3/4	7/16	5/8	1 1/2	2 11/16	4 1/8
51406WHV	1 1/2"	2	10	1 1/2	4 3/8	3 1/2	5 3/4	7/16	5/8	1 1/2	2 11/16	4 1/8
51407WHV	2"	1	10	1 1/2	4 5/8	3 1/2	5 3/4	7/16	5/8	1 1/2	2 11/16	4 1/8



NO.	DESCRIPTION	MATERIAL
1	FLANGED BODY	BRASS
2	END CAP	BRASS
3	SEATS	PTFE
4	BALL	BRASS HCP
5	STEM	BRASS
6	STEM SEAL	PTFE
7	PACKING GLAND	BRASS
8	LEVER HANDLE	STEEL CP
9	WING STYLE "T" HANDLE	STEEL CP
10	HANDLE NUT	STAINLESS STEEL
11	HANDLE JACKET	VINYL
12	ROTATING FLANGE	BRASS
13	ROTATING FLANGE RING	STAINLESS STEEL
14	FLANGE BOLTS & NUTS	STEEL ZP

TEMP °F	PSI
100	600
150	485
200	395
250	210
300	N/A
350	N/A
366	N/A



Quality and Commitment Since 1954

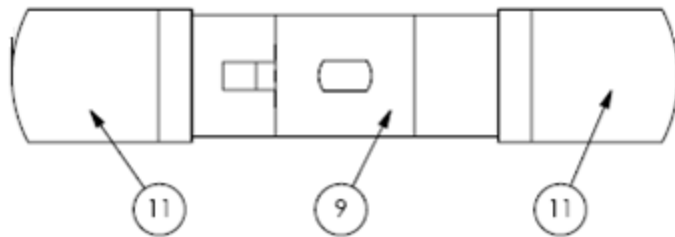
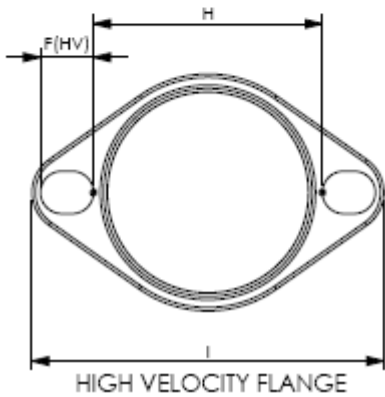
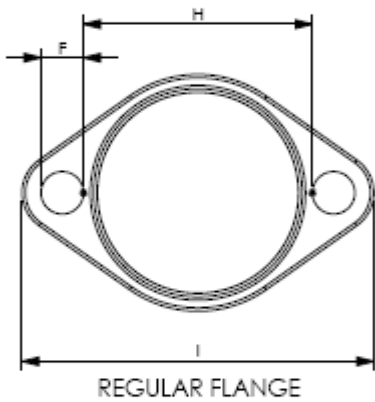
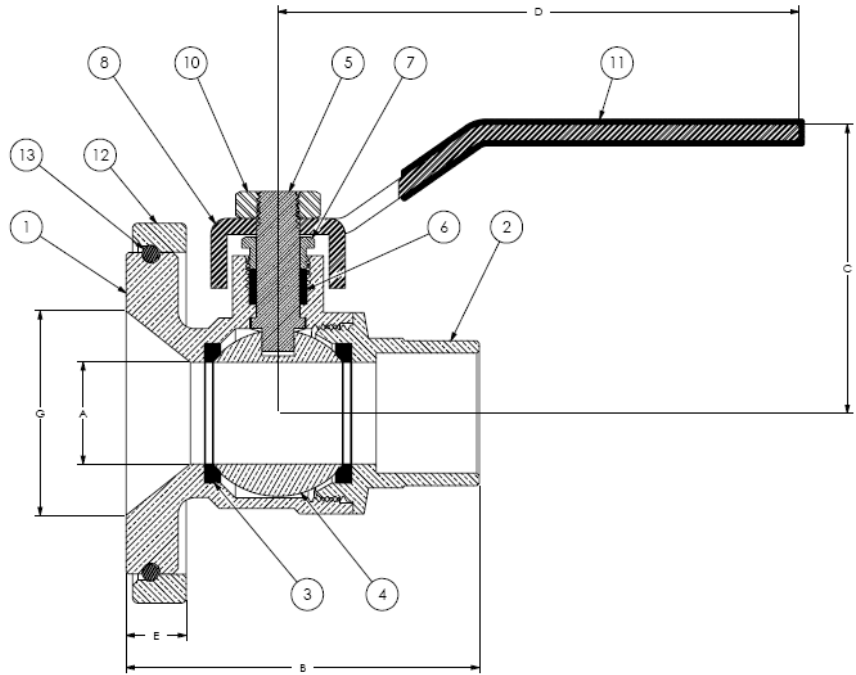
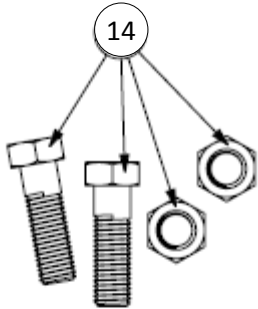
www.webstonevalves.com · P: (800) 225-9529 · F: (800) 336-5133

Webstone product specifications in U.S. customary units are approximate and are provided for reference only. Webstone reserves the right to change or modify product design, construction, specifications or materials without prior notice and without incurring any obligation to make such changes and modifications on Webstone products previously or subsequently sold.

5140-5140Wspec_032514

THIS SPACE FOR DESIGNER/ENGINEER APPROVAL

Job/Customer _____	Date _____	Contractor _____
Model Specified _____	Qty _____	Approved By _____
Designer/Engineer _____	Date _____	Contractor's PO# _____
Submitted by _____	Date _____	Other _____



Specifications: Designed for residential, commercial or industrial use with water or a glycol mixture. This approved Webstone valve is actuated by a blowout proof stem and features an adjustable packing gland. Flange features a conical inlet to minimize turbulence. The rotating flange is secured by a snug-fit snap-ring that provides greater control over positioning during installation. Solder joint temperature ratings are per ASME B16.18 Annex A for 95-5 solder. Other solder materials have lower pressure/temperature limits. Do not silver braze or overheat valves when soldering. *Bonus handle included with standard brass products only.

Webstone
VALVE INNOVATION

Quality and Commitment Since 1954

www.webstonevalves.com · P: (800) 225-9529 · F: (800) 336-5133

Webstone product specifications in U.S. customary units are approximate and are provided for reference only. Webstone reserves the right to change or modify product design, construction, specifications or materials without prior notice and without incurring any obligation to make such changes and modifications on Webstone products previously or subsequently sold.

5140-5140Wspec_032514

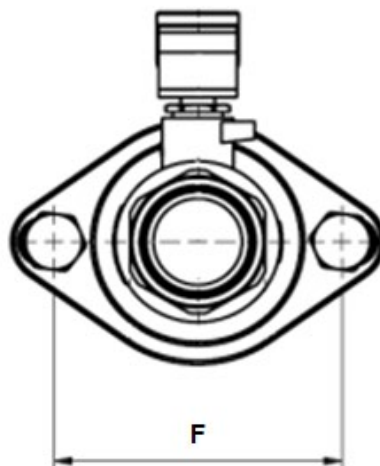
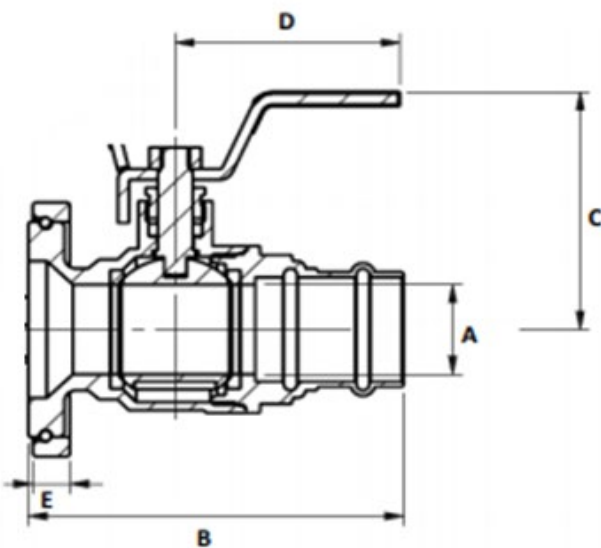


H-8140W Series

The Isolator w/ Rotating Flange
Full Port Forged Brass Uni-Flange Ball Valve
w/ Detachable Rotating Flange,
Adjustable Packing Gland,
Nuts & Bolts

Certifications

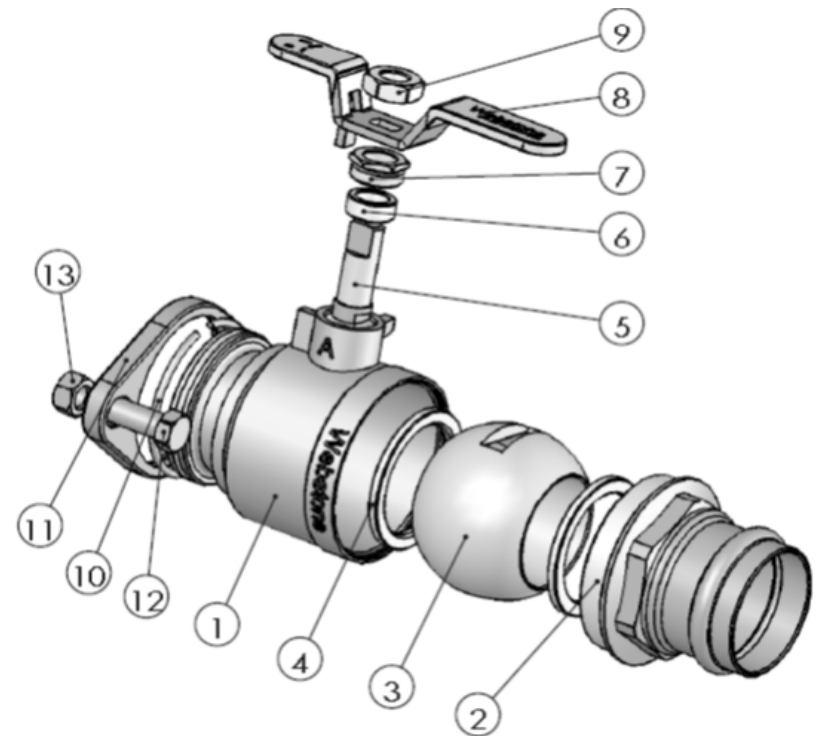
Certified to NSF/ANSI 61 & 372
Lead-Free



The ISOLATOR®

UNI-FLANGE BALL VALVE®

NO.	DESCRIPTION	MATERIAL
1	BODY	LEAD-FREE BRASS
2	END CAP	LEAD-FREE BRASS
3	BALL	BRASS CP
4	SEAT	PTFE
5	STEM	BRASS
6	PACKING GLAND	PTFE
7	PACKING NUT	BRASS
8	HANDLE	STEEL CP
9	HANDLE NUT	STAINLESS STEEL
10	ROTATING FLANGE RING	STAINLESS STEEL
11	ROTATING FLANGE	BRASS
12	FLANGE BOLTS	STAINLESS STEEL
13	FLANGE NUTS	STAINLESS STEEL



Designed for residential, commercial or industrial use with water, oil or gas. This approved Webstone valve is actuated by a blowout proof stem and features an adjustable packing nut. *Slotted holes accommodate both standard and high velocity pumps.

ITEM#	Connection Type	SIZE (in)	Pressure Rating	Max Temp	A	B	C	D	E	F
H-81403W	Press x Rotating Flange	3/4	250 PSI CWP Max	250°F Max	0.75	3.31	2.13	2.38	0.38	3.19
* H-81403WHV	Press x Rotating Flange	3/4	250 PSI CWP Max	250°F Max	0.75	3.31	2.13	2.38	0.38	3.19
H-81404W	Press x Rotating Flange	1	250 PSI CWP Max	250°F Max	1.00	4.00	2.63	3.38	0.38	3.19
* H-81404WHV	Press x Rotating Flange	1	250 PSI CWP Max	250°F Max	1.00	4.00	2.63	3.38	0.38	3.19
H-81405W	Press x Rotating Flange	1 1/4	250 PSI CWP Max	250°F Max	1.25	4.44	2.94	3.38	0.38	3.19
* H-81405WHV	Press x Rotating Flange	1 1/4	250 PSI CWP Max	250°F Max	1.25	4.44	2.94	3.38	0.38	3.19
H-81406W	Press x Rotating Flange	1 1/2	250 PSI CWP Max	250°F Max	1.50	4.94	3.19	3.38	0.38	3.19
* H-81406WHV	Press x Rotating Flange	1 1/2	250 PSI CWP Max	250°F Max	1.50	4.94	3.19	3.38	0.38	3.19
* H-81407WHV	Press x Rotating Flange	2	250 PSI CWP Max	250°F Max	2	5.81	3.56	3.38	0.38	3.69



THIS SPACE FOR DESIGNER/ENGINEER APPROVAL

Job/Customer _____	Date _____	Contractor _____
Model Specified _____	Qty _____	Approved By _____
Designer/Engineer _____	Date _____	Contractor's PO# _____
Submitted by _____	Date _____	Other _____

9140W Series

**Full Port Forged Brass Uni-Flange Ball Valves
w/ Detachable Rotating Flange, Conical Inlet
& Adjustable Packing Gland w/ Nuts & Bolts
Female PP-R Metric Socket x Rotating Flange
Manufactured for use with Aquatherm® PP-R Piping
Max. Operating Pressure: 355 PSI**
Patented Technology**



Lead free products are certified to NSF/ANSI 61 & NSF/ANSI 372

LEAD FREE ITEM #	METRIC PIPE SIZE	SIZE*	CTN	CASE	A	B	C	D	E	F	G	H	I
91403WHV	25	3/4"	1	20	3/4	3 3/16	² / _{13/16}	4	7/16	5/8	1 1/2	2 11/16	4 1/8
91404WHV	32	1"	1	20	1	4 1/8	2 5/8	4	7/16	5/8	1 1/2	2 11/16	4 1/8
91405WHV	40	1 1/4"	1	20	1 1/4	4 7/16	² / _{15/16}	5 3/4	7/16	5/8	1 1/2	2 11/16	4 1/8
91406WHV	50	1 1/2"	1	10	1 1/2	5 1/8	3 1/2	5 3/4	7/16	5/8	1 1/2	2 11/16	4 1/8
91407WHV	63	2"	1	10	1 1/2	5 3/8	3 1/2	5 3/4	7/16	5/8	1 1/2	2 11/16	4 1/8



	DESCRIPTION	MATERIAL
1	FLANGED BODY	BRASS
2	END CAP	BRASS w/ PP-R
3	SEATS	PTFE
4	BALL	BRASS HCP
5	STEM	BRASS
6	STEM SEAL	PTFE
7	PACKING GLAND	BRASS
8	LEVER HANDLE	STEEL CP
9	HANDLE NUT	STAINLESS STEEL
10	HANDLE JACKET	VINYL
11	ROTATING FLANGE	BRASS
12	ROTATING FLANGE RING	STAINLESS STEEL
13	FLANGE BOLTS & NUTS	STEEL ZP

TEMP °F	PSI	TEMP °F	PSI
73	355	130	210
80	337	140	185
90	312	150	164
100	286	160	143
110	261	170	121
120	236	180	100

*PP-R Sockets are manufactured based on metric units of measurement. Imperial nominal diameter is provided as reference only.
 **Overall pressure rating at 73°F. Further restrictions determined by intended operating conditions and limitations specific to the system design. Maximum pressure rating for the seat and body alone is 600 PSI. 91407WHV (2" only) is a Reduced Port Valve.



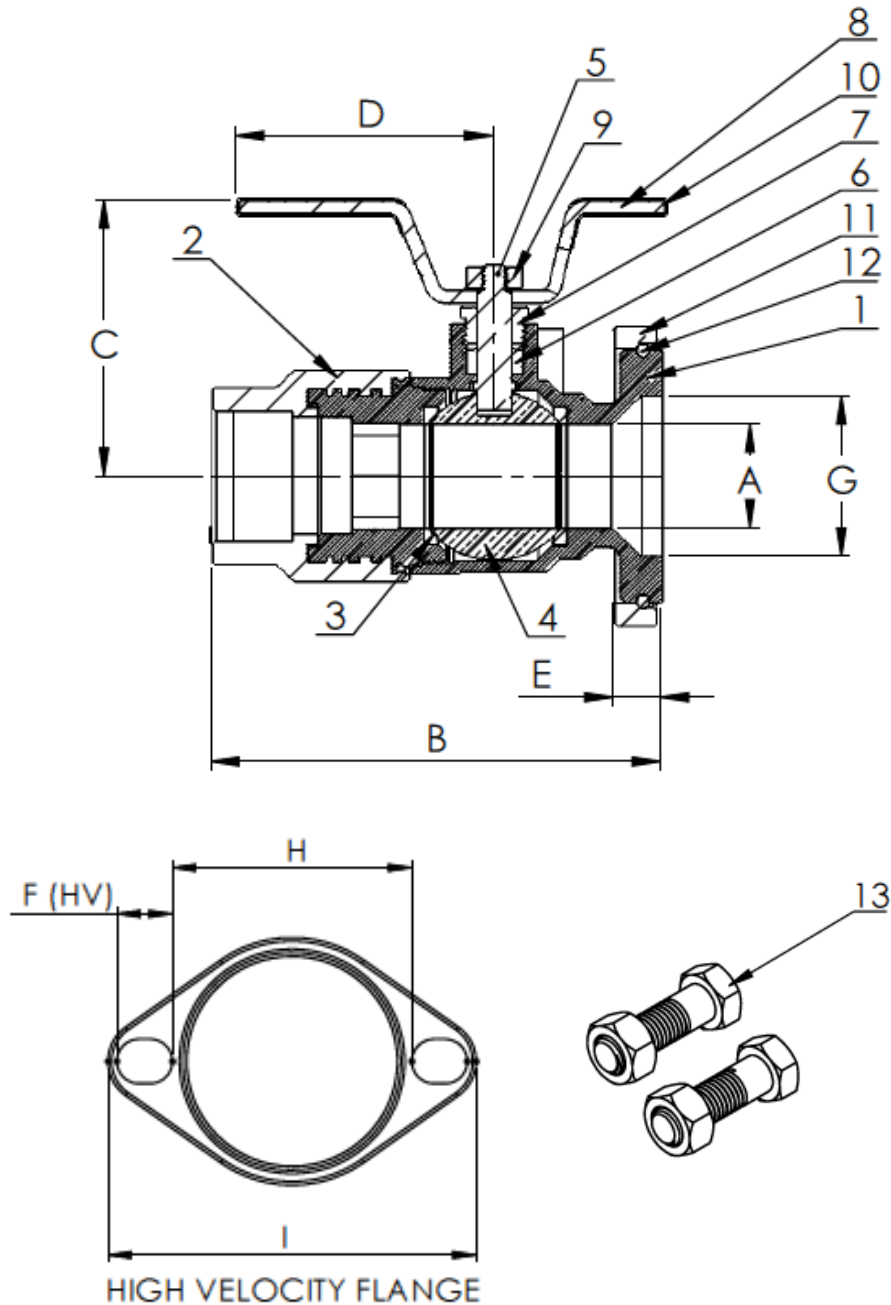
Quality and Commitment Since 1954

www.webstonevalves.com · P: (800) 225-9529 · F: (800) 336-5133

Webstone product specifications in U.S. customary units are approximate and are provided for reference only. Webstone reserves the right to change or modify product design, construction, specifications or materials without prior notice and without incurring any obligation to make such changes and modifications on Webstone products previously or subsequently sold.

THIS SPACE FOR DESIGNER/ENGINEER APPROVAL

Job/Customer _____	Date _____	Contractor _____
Model Specified _____	Qty _____	Approved By _____
Designer/Engineer _____	Date _____	Contractor's PO# _____
Submitted by _____	Date _____	Other _____



Specifications: Designed for residential, commercial or industrial use with water, oil or gas. This approved Webstone valve is actuated by a blowout proof stem and features an adjustable packing gland. Socket end dimensions are in accordance with ASTM F 2389 Metric Series. HV models fit both standard and high velocity pumps. Aquatherm® is a registered trademark of [aquatherm GmbH](http://www.aquatherm.com) used with permission. Visit www.aquatherm.com for additional information related to the PP-R socket ends, PP-R pipe and fittings, and socket fusion welding.

Webstone
VALVE INNOVATION

Quality and Commitment Since 1954

www.webstonevalves.com · P: (800) 225-9529 · F: (800) 336-5133

Webstone product specifications in U.S. customary units are approximate and are provided for reference only. Webstone reserves the right to change or modify product design, construction, specifications or materials without prior notice and without incurring any obligation to make such changes and modifications on Webstone products previously or subsequently sold.

9140Wspec_122815

THIS SPACE FOR DESIGNER/ENGINEER APPROVAL

Job/Customer _____	Date _____	Contractor _____
Model Specified _____	Qty _____	Approved By _____
Designer/Engineer _____	Date _____	Contractor's PO# _____
Submitted by _____	Date _____	Other _____

10140W Series

**Full Port Forged Brass Uni-Flange Ball Valves
w/ Detachable Rotating Flange, Conical Inlet
& Adjustable Packing Gland w/ Nuts & Bolts
Female PP-RCT Metric Socket x Rotating Flange
Manufactured for use with all PP-R & PP-RCT Piping Systems
Max. Operating Pressure: 600 PSI**
Patented Technology**



Lead free products are certified to NSF/ANSI 61 & NSF/ANSI 372

LEAD FREE ITEM #	METRIC PIPE SIZE	SIZE*	CTN	CASE	A	B	C	D	E	F	G	H	I
101403WHV	25	3/4"	1	20	3/4	3 3/16	² / _{13/16}	4	7/16	5/8	1 1/2	2 11/16	4 1/8
101404WHV	32	1"	1	20	1	4 1/8	2 5/8	4	7/16	5/8	1 1/2	2 11/16	4 1/8
101405WHV	40	1 1/4"	1	20	1 1/4	4 7/16	² / _{15/16}	5 3/4	7/16	5/8	1 1/2	2 11/16	4 1/8
101406WHV	50	1 1/2"	1	10	1 1/2	5 1/8	3 1/2	5 3/4	7/16	5/8	1 1/2	2 11/16	4 1/8
101407WHV	63	2"	1	10	1 1/2	5 3/8	3 1/2	5 3/4	7/16	5/8	1 1/2	2 11/16	4 1/8



DESCRIPTION	MATERIAL
1 FLANGED BODY	BRASS
2 END CAP	BRASS w/ PP-RCT
3 SEATS	PTFE
4 BALL	BRASS HCP
5 STEM	BRASS
6 STEM SEAL	PTFE
7 PACKING GLAND	BRASS
8 LEVER HANDLE	STEEL CP
9 HANDLE NUT	STAINLESS STEEL
10 HANDLE JACKET	VINYL
11 ROTATING FLANGE	BRASS
12 ROTATING FLANGE RING	STAINLESS STEEL
13 FLANGE BOLTS & NUTS	STEEL ZP

*PP-R Sockets are manufactured based on metric units of measurement. Imperial nominal diameter is provided as reference only. 101407WHV (2" only) is a Reduced Port Valve. **Valve seat/body maximum pressure rating at 100 F. Overall valve pressure rating is determined by intended operating conditions and limitations specific to the system design.



Quality and Commitment Since 1954

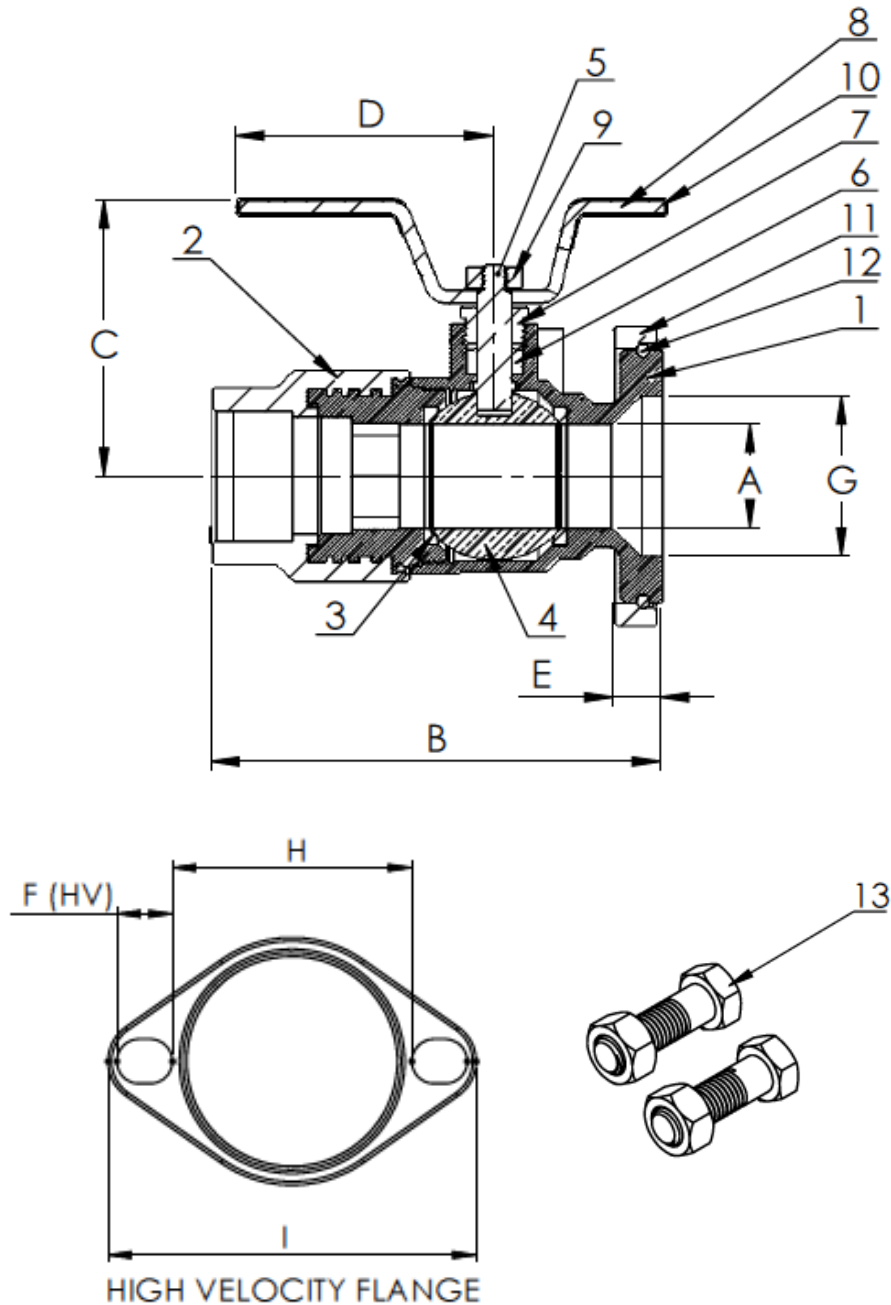
www.webstonevalves.com · P: (800) 225-9529 · F: (800) 336-5133

Webstone product specifications in U.S. customary units are approximate and are provided for reference only. Webstone reserves the right to change or modify product design, construction, specifications or materials without prior notice and without incurring any obligation to make such changes and modifications on Webstone products previously or subsequently sold.

10140Wspec_122815

THIS SPACE FOR DESIGNER/ENGINEER APPROVAL

Job/Customer _____	Date _____	Contractor _____
Model Specified _____	Qty _____	Approved By _____
Designer/Engineer _____	Date _____	Contractor's PO# _____
Submitted by _____	Date _____	Other _____



Specifications: Designed for residential, commercial or industrial use with water, oil or gas. This approved Webstone valve is actuated by a blowout proof stem and features an adjustable packing gland. Socket end dimensions are in accordance with ASTM F 2389 Metric Series. HV models fit both standard and high velocity pumps.

Webstone
VALVE INNOVATION

Quality and Commitment Since 1954

www.webstonevalves.com · P: (800) 225-9529 · F: (800) 336-5133

Webstone product specifications in U.S. customary units are approximate and are provided for reference only. Webstone reserves the right to change or modify product design, construction, specifications or materials without prior notice and without incurring any obligation to make such changes and modifications on Webstone products previously or subsequently sold.

10140Wspec_122815