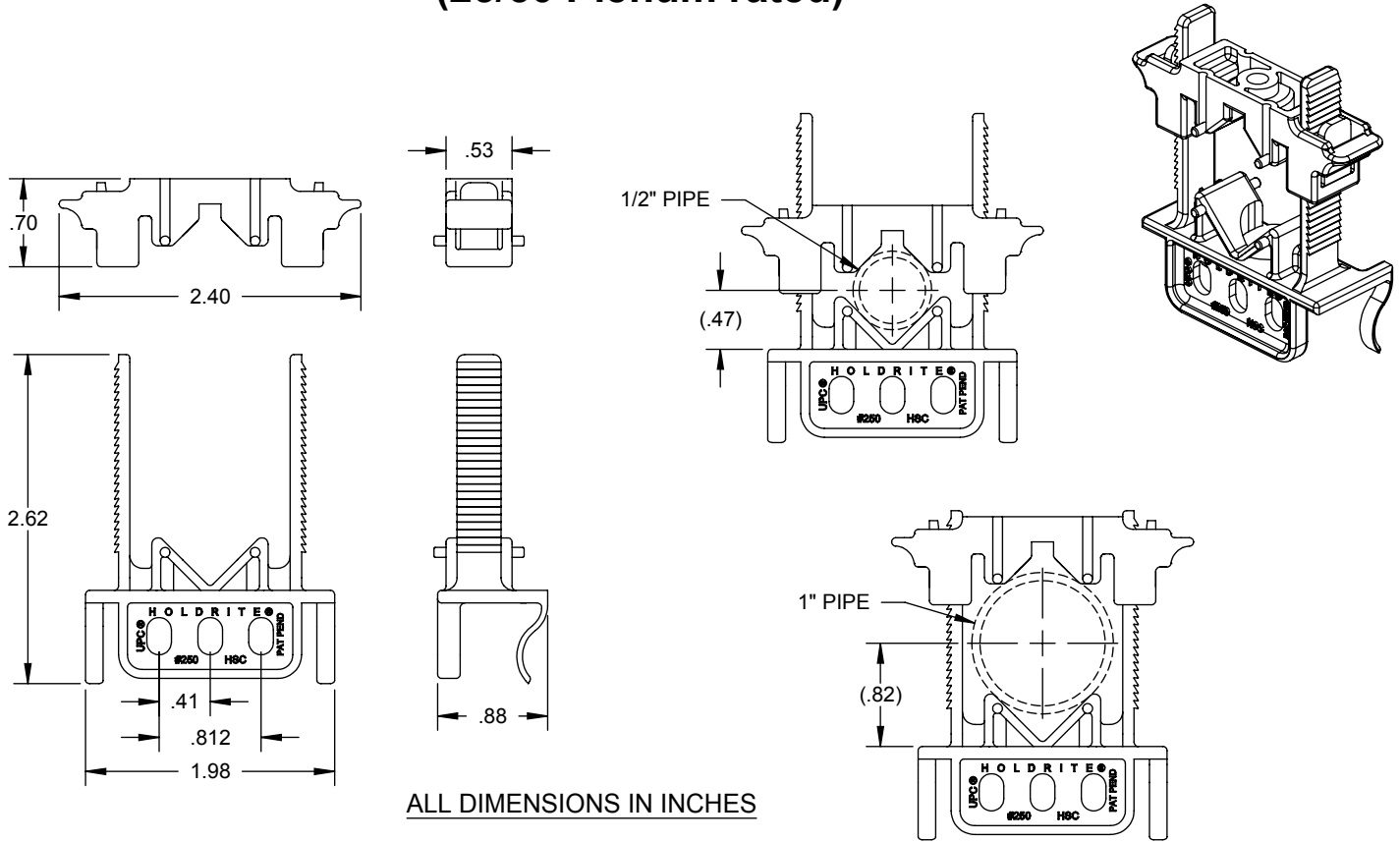


PRODUCT SPECIFICATION DRAWING

HOLDRITE® FLAME FIGHTER™ #250-S

(25/50 Plenum rated)



ALL DIMENSIONS IN INCHES

The **HOLDRITE® Flame Fighter™ #250-S** is a flame and smoke rated variable closure clamp compatible with Copper, PEX, CPVC tubing, conduit, etc. Supports up to 1" CTS tubing sizes. Material meets ASTM E-84 25/50 and UL94V-0 fire rating.

Product Information:

- Material: Kynar Flex, yellow, UL94V-0
- Temperature range: -20°F to +200°F
- Load rating: 25 lbs in suspended mode, 200 lbs maximum in top mount
- Meets ASTM E-84 25/50 and UL94V-0
- UPC / IPC / IAPMO listed



THIS INFORMATION IS PROPRIETARY TO HOLDRITE AND IS SUBJECT TO CHANGE WITHOUT NOTICE. IT MAY NOT BE REPRODUCED IN PART OR WHOLE WITHOUT WRITTEN AUTHORIZATION.



CONVERTING MAKESHIFT METHODS INTO ENGINEERED SOLUTIONSSM
 800-321-0316 OR 760-744-6944 / FAX: 760-744-0507 / WWW.HOLDRITE.COM
 spec_250-S_RevH

Product Submittal	
Job Name:	
Date:	
Part Number:	Qty:
Architect / Owner:	
Contractor:	
Notes:	