



Product Submittal	
Name	
Date	
Architect/Owner	
Contractor	
Tag	
Notes	

## HoldRite® #703 In-Slab Tubing Support Specification Sheet/Drawing

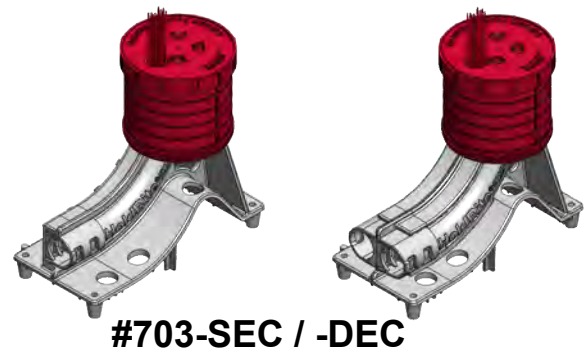
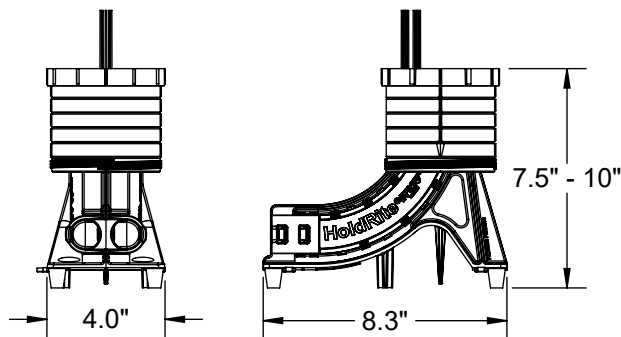
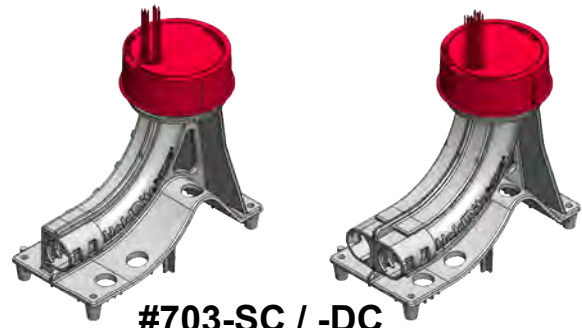
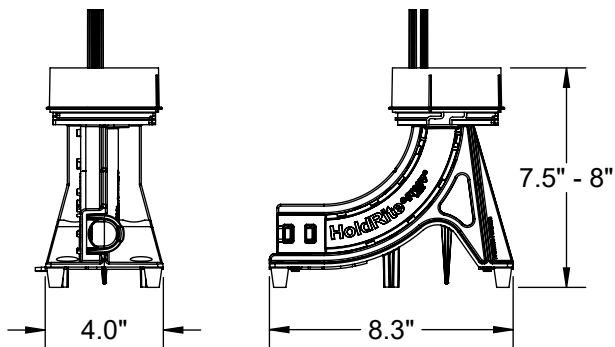
The HOLDRITE® 703 Series provides a protective recessed cavity in the upper portion of the concrete floor, providing a space for the protection of either one or two 1/2" PEX tubes (with 3/4" protective corrugated tubing) or 3/4" electrical conduits. Includes removable cover plate with "locator whiskers".

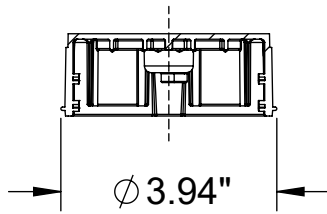
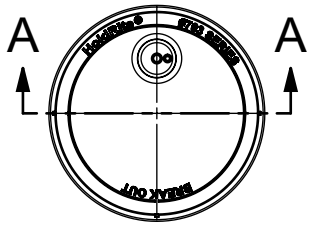
complies with IPC



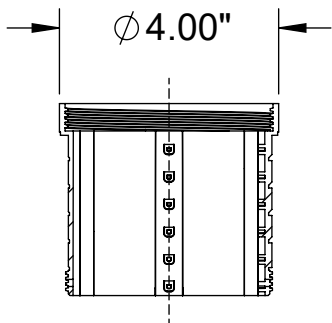
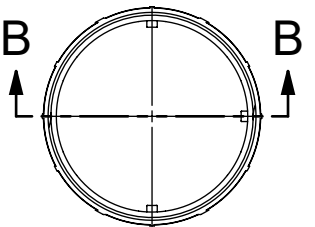
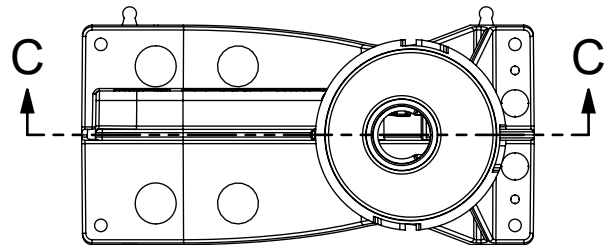
### Product Information:

- Material: Reinforced Polypropylene
- Fluid Temperature range: 32°F thru 200°F
- Installation Temperature range: -10°F thru 120°F
- Load rating: 25 lbs.
- Patent Pending
- UPC / IPC / IAPMO listed





#703 Adjustable Cap



#703 Extension

#703 Single & Double Base