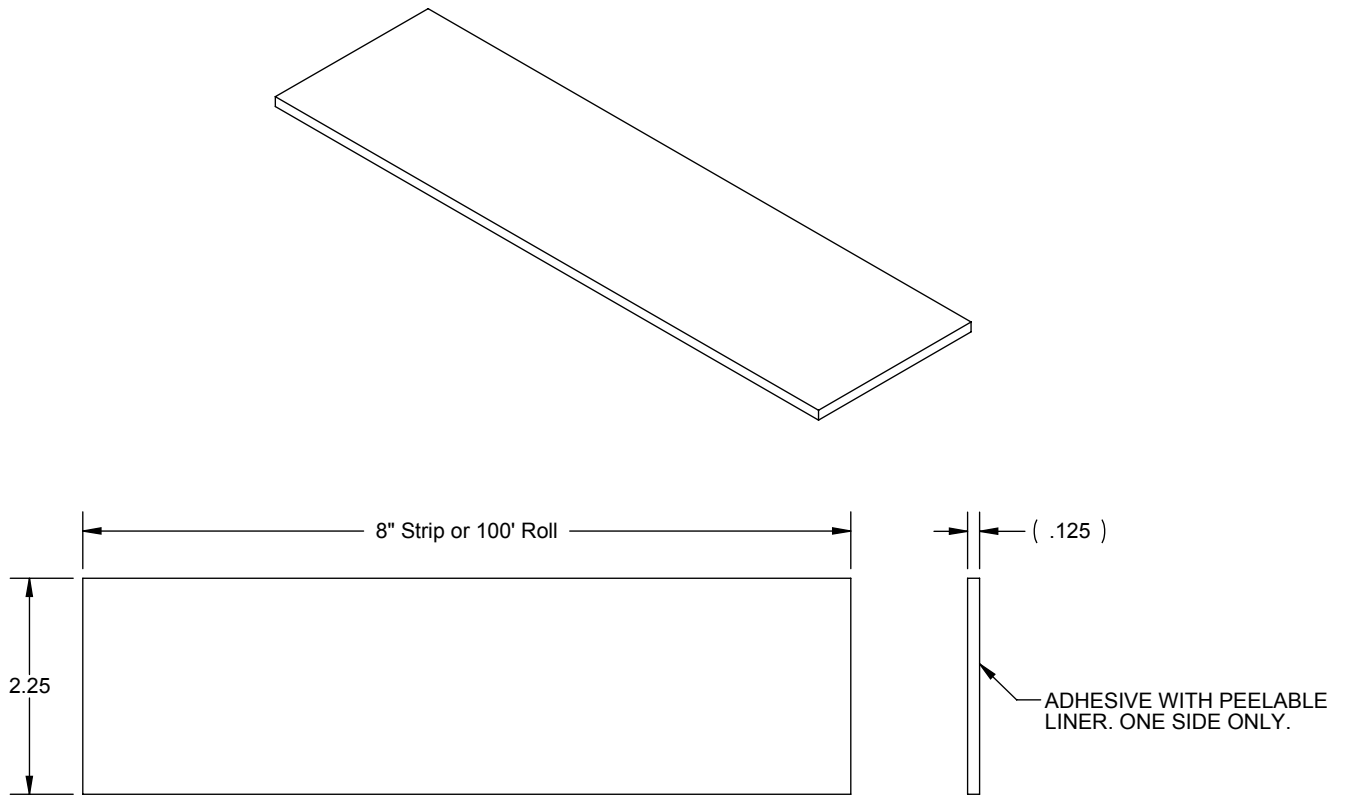


# PRODUCT SPECIFICATION DRAWING

## Felt 8 & Felt 100 (Accessory)



**Felt 8 and Felt 100 HOLDRITE Isolating felt for use in eliminating dissimilar metal contact and provides minimal sound vibration isolation. One side is self-adhesive. Available in 8" strips and 100' roll.**

### Product Information:

- Material: White Polyester Felt, pressure-sensitive adhesive (PSA), rubber base, one side only

THIS INFORMATION IS PROPRIETARY TO HOLDRITE AND IS SUBJECT TO CHANGE WITHOUT NOTICE. IT MAY NOT BE REPRODUCED IN PART OR WHOLE WITHOUT WRITTEN AUTHORIZATION.



Product Submittal	
Job Name:	
Date:	
Part Number:	Qty:
Architect / Owner:	
Contractor:	
Notes:	