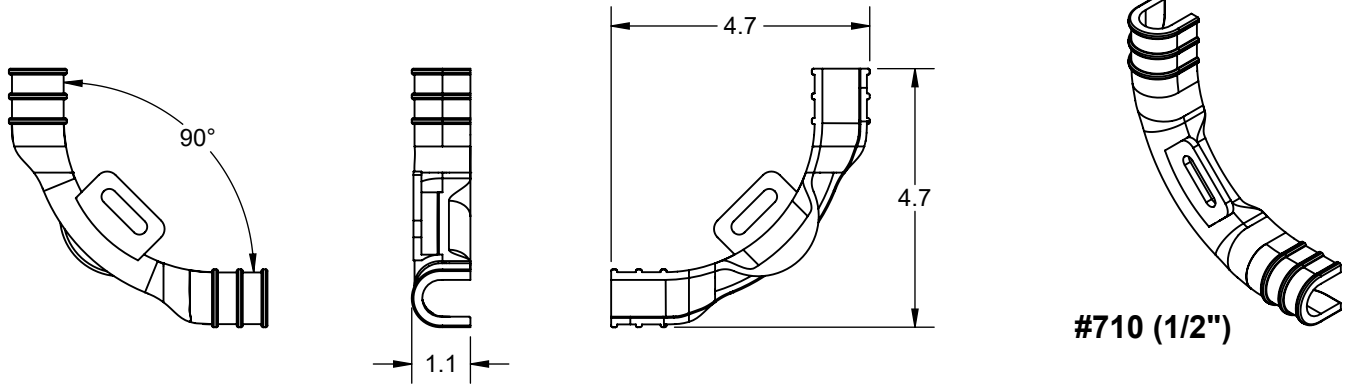


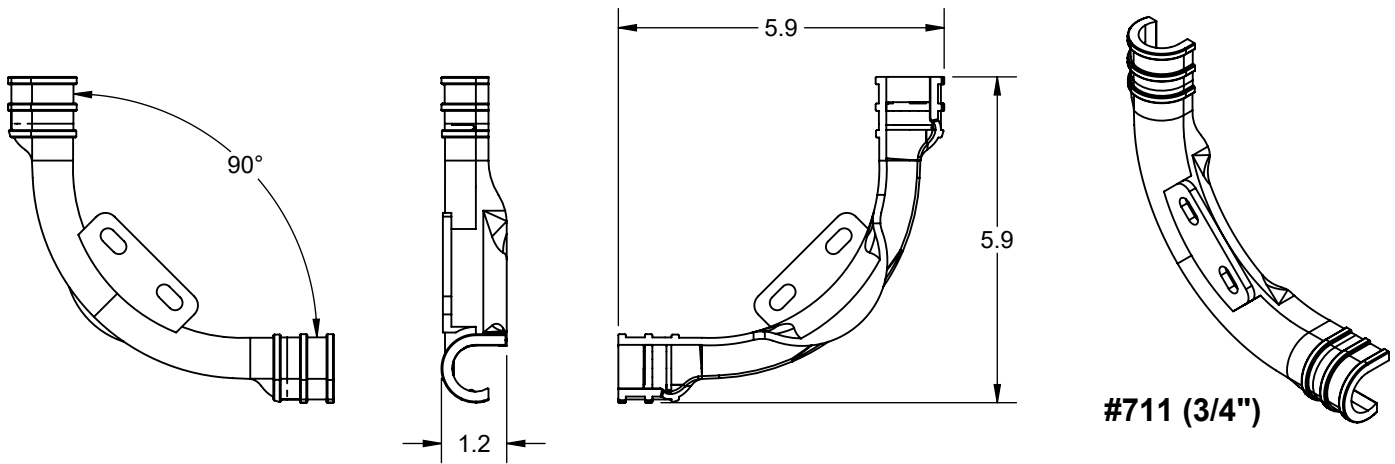
PRODUCT SPECIFICATION DRAWING

PEXRITE #710 & #711 BRACKET



#710 (1/2")

ALL DIMENSIONS IN INCHES



#711 (3/4")

The PEXRITE® #710 & #711 snap onto 1/2" and 3/4" CTS tubing, respectively, to provide support for a 90° change of direction, and can be attached directly to joists, framing, etc. Compatible with all PEX tubing manufacturers.

Product Information:

- Material: Reinforced Nylon, Black
- Temperature range: -10 °F to +180 °F
- Load rating: 25 pounds

THIS INFORMATION IS PROPRIETARY TO HOLDRITE AND IS SUBJECT TO CHANGE WITHOUT NOTICE. IT MAY NOT BE REPRODUCED IN PART OR WHOLE WITHOUT WRITTEN AUTHORIZATION.



Product Submittal	
Job Name:	
Date:	
Part Number:	Qty:
Architect / Owner:	
Contractor:	
Notes:	