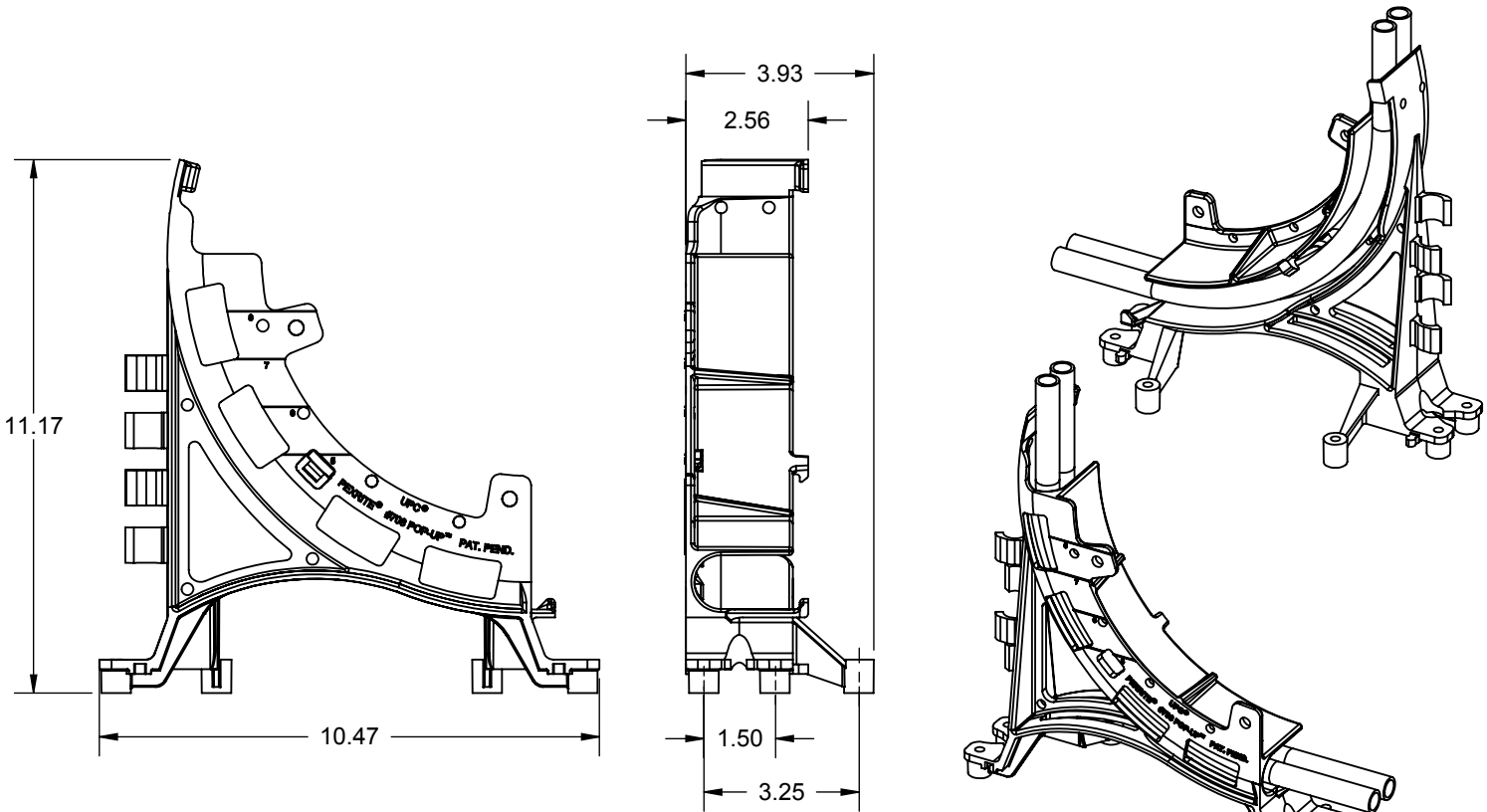


# PRODUCT SPECIFICATION DRAWING

## PEXRITE® #708 POP-UP™



ALL DIMENSIONS IN INCHES

The PEXRITE® #708 POP-UP™ supports up to three 3/8" O.D. or two 1-1/8" O.D. flexible tubing lines (PEX or softer copper). Ideal for positioning tubing prior to concrete slab pouring. For elevated slabs, nail bracket to form decking or edge form. For slab-on-grade (ground work), secure bracket with #4 rebar driven into the ground.

### Product Information:

- Material: Reinforced Polypropylene
- Temperature range "post install": -10°F to +190°F
- Load rating: 25 pounds
- Patent Pending
- UPC / IPC / IAPMO listed



THIS INFORMATION IS PROPRIETARY TO HOLDRITE AND IS SUBJECT TO CHANGE WITHOUT NOTICE. IT MAY NOT BE REPRODUCED IN PART OR WHOLE WITHOUT WRITTEN AUTHORIZATION.

# HOLDRITE®

CONVERTING MAKESHIFT METHODS INTO ENGINEERED SOLUTIONS<sup>SM</sup>  
 800-321-0316 OR 760-744-6944 / FAX: 760-744-0507 / WWW.HOLDRITE.COM  
 spec\_708\_RevH

Product Submittal	
Job Name:	
Date:	
Part Number:	Qty:
Architect / Owner:	
Contractor:	
Notes:	