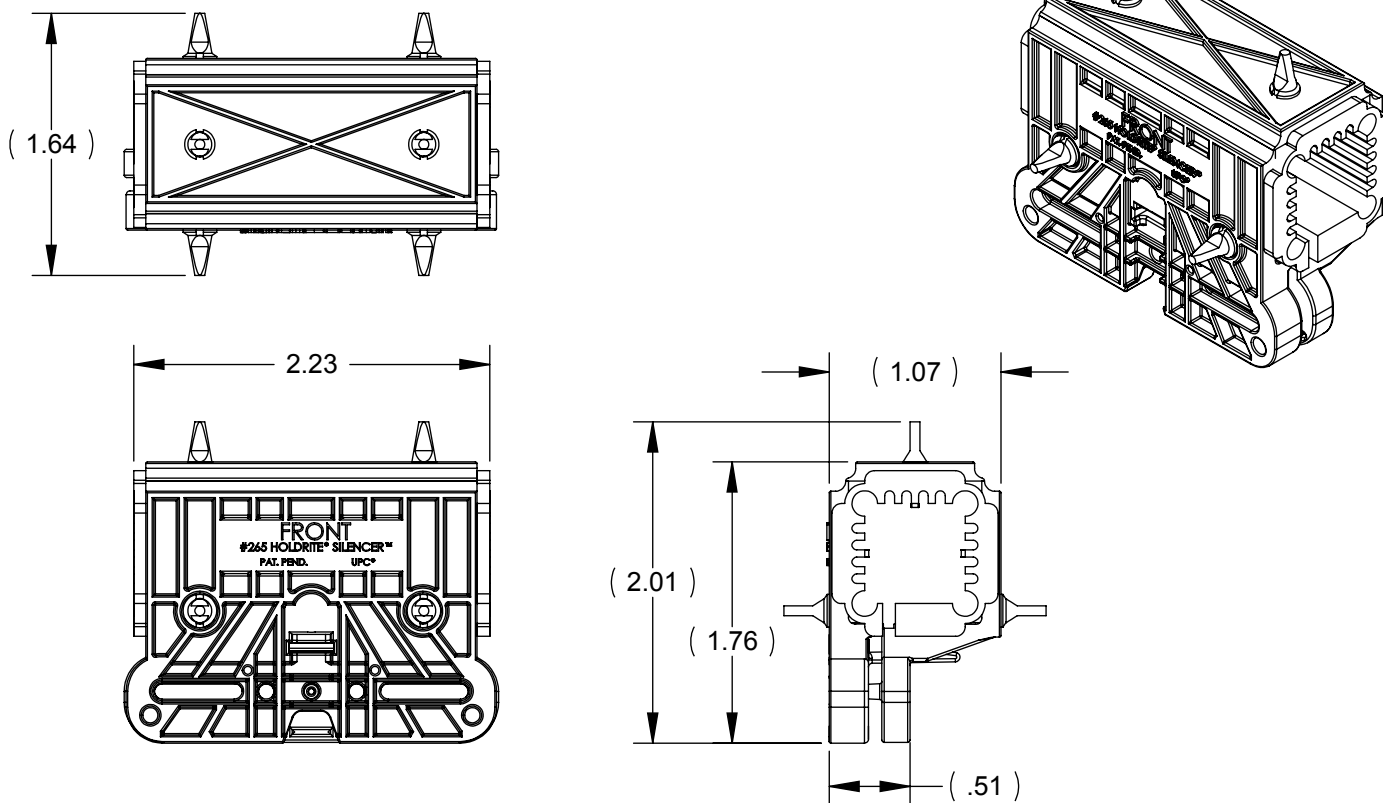


# PRODUCT SPECIFICATION DRAWING

## HOLDRITE® Silencer™ #265 Acoustical Shower Head/Tub Spout Clamp



ALL DIMENSIONS IN INCHES

The **HOLDRITE Silencer #265 Acoustical Shower Head/Tub Spout Clamp** is a strong and effective clamp for minimizing the noise generated at the shower or similar application. This clamp is designed for attachment to the **Holdrite Stout Bracket®** and accepts a drop eared 90° ell or similar fitting.

### Product Information:

- **Materials:**  
 Shell: Polypropylene, medium blue, UL94V-2  
 Isolator: Santoprene, 40 to 45 shore A, natural (off-white)  
 Screw Plate: 16 gage CRS, zinc plated
- Patent Pending
- UPC / IPC / IAPMO listed



THIS INFORMATION IS PROPRIETARY TO HOLDRITE AND IS SUBJECT TO CHANGE WITHOUT NOTICE. IT MAY NOT BE REPRODUCED IN PART OR WHOLE WITHOUT WRITTEN AUTHORIZATION.

# HOLDRITE®

CONVERTING MAKESHIFT METHODS INTO ENGINEERED SOLUTIONS<sup>SM</sup>  
 800-321-0316 OR 760-744-6944 / FAX: 760-744-0507 / WWW.HOLDRITE.COM  
 spec\_265\_RevE

Product Submittal	
Job Name:	
Date:	
Part Number:	Qty:
Architect / Owner:	
Contractor:	
Notes:	