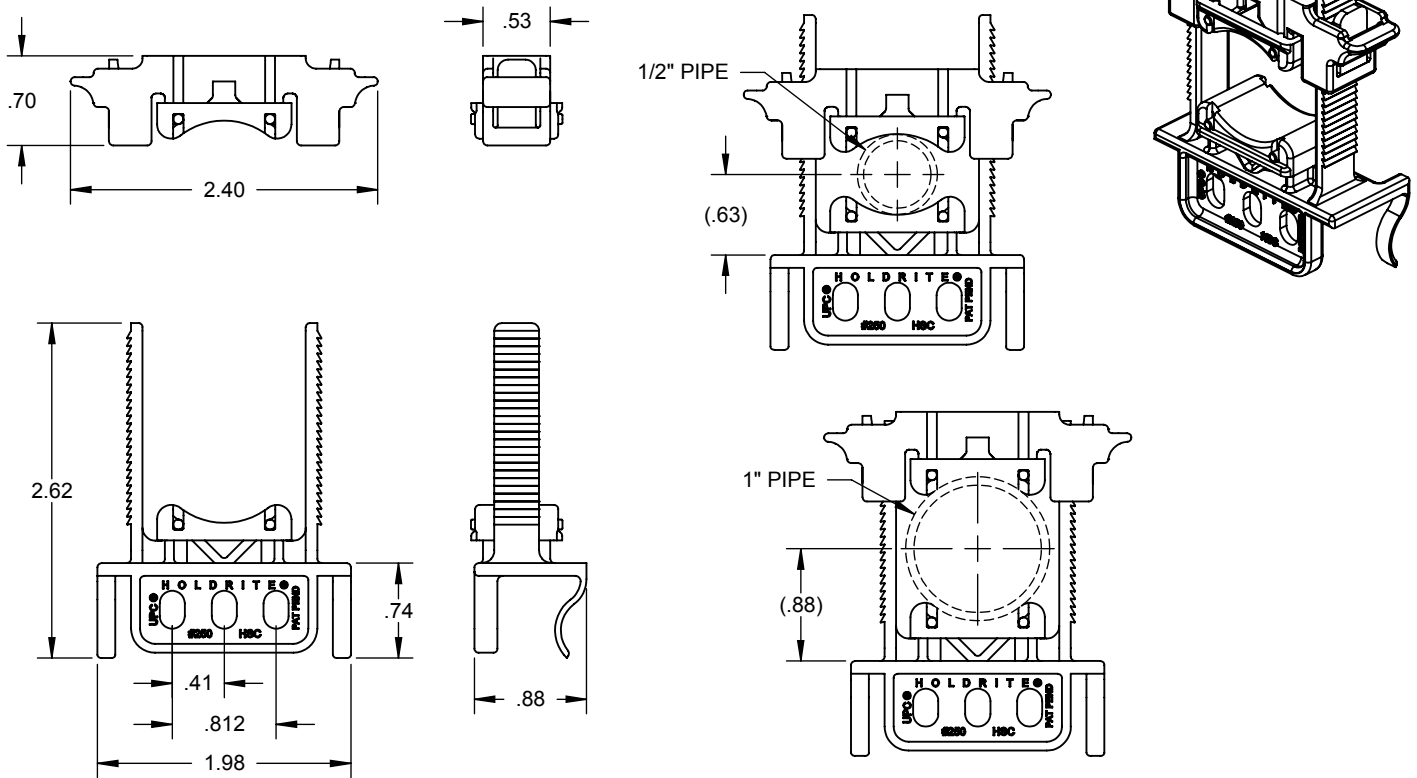


# PRODUCT SPECIFICATION DRAWING

## HOLDRITE® STOUT CLAMP™ #250



ALL DIMENSIONS IN INCHES

**The HOLDRITE® Stout Clamp™ #250 is a strong, sound rated variable closure clamp compatible with Copper, PEX, CPVC pipe, conduit, etc. Supports up to 1" CTS tubing sizes. Frame work complies with UL94V-2 fire rating and UPC listed.**

### Product Information:

- Material:  
Top & Bottom clamp: Nylon, medium blue, FR UL94V-2  
Pads: TPR, natural (off-white), 50 shore A
- Temperature range: -10°F to 180°F
- Load rating: 25 lbs in suspended mode, 200 lbs maximum in top mount
- UPC / IPC listed
- IAPMO listed, per standard PS42-96
- Patent Pending

THIS INFORMATION IS PROPRIETARY TO HOLDRITE AND IS SUBJECT TO CHANGE WITHOUT NOTICE. IT MAY NOT BE REPRODUCED IN PART OR WHOLE WITHOUT WRITTEN AUTHORIZATION.

# HOLDRITE®

CONVERTING MAKESHIFT METHODS INTO ENGINEERED SOLUTIONS<sup>SM</sup>  
800-321-0316 OR 760-744-6944 / FAX: 760-744-0507 / WWW.HOLDRITE.COM  
spec\_250\_RevH



Product Submittal	
Job Name:	
Date:	
Part Number:	Qty:
Architect / Owner:	
Contractor:	
Notes:	