



Product Submittal	
Name	
Date	
Architect/Owner	
Contractor	
Tag	
Notes	

## HoldRite HydroFlame™ Firestop Hollow Sleeve (8", 10" & 12" Pipe) Specification Sheet/Drawing



Buy American Act



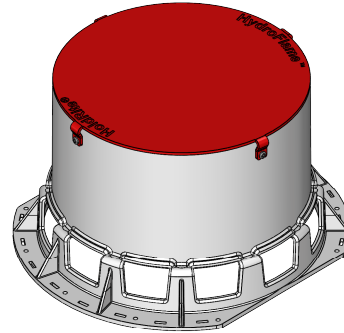
The HoldRite HydroFlame™ Firestop Hollow Sleeve Series System consists of assemblies that provide sleeving solutions for cast-in-place concrete floors. These sleeve products provide solutions for both metallic & non-metallic pipes, both insulated and non-insulated piping. Sleeves are for use on flat form decks. 1" tall extensions are available. Each sleeve includes an OSHA-compliant hole cover plate / safety cap.



### Product Information:

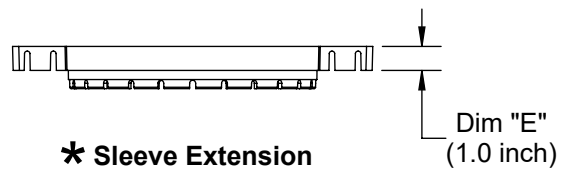
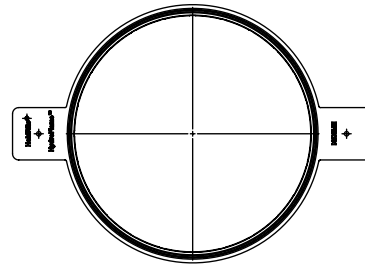
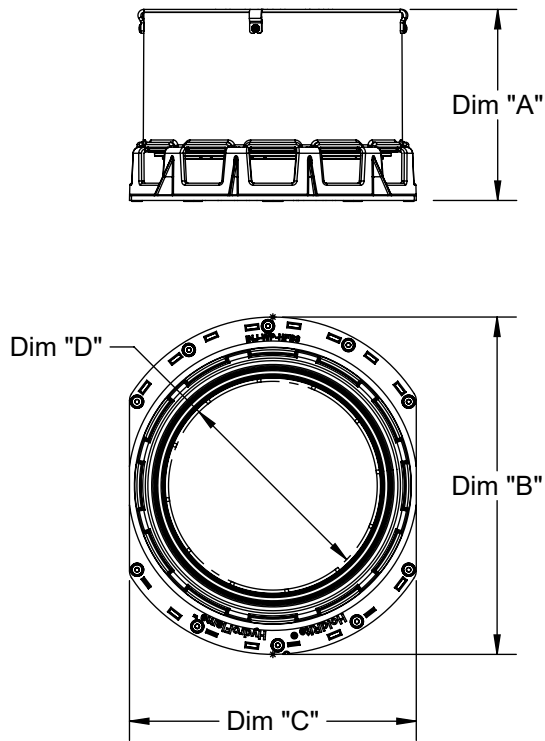
- Material:
  - Main Sleeve Body: PVC
  - Safety Cap: 11GA Steel
- Patented & Patents Pending
- See Hydroflame™ Sleeve Installation Instructions & Best Practices documents and UL System documents
- "FBC™ System Compatible indicates that this product has been tested, and is monitored on an ongoing basis, to assure its chemical compatibility with FlowGuard Gold®, BlazeMaster® and Corzan® piping systems and products made with TempRite® Technology." The FBC™ System Compatible Logo, FBC™, FlowGuard®, BlazeMaster®, Corzan®, and TempRite® are trademarks of Lubrizol Advanced Materials, Inc. or its affiliates."

Part Numbers
HF-H10 (8"), HF-H12 (10") & HF-H14 (12")
HFEXT81 (8"), HFPEXT101 (10") & HFEXT121 (12")



Note:

- Height range: For slabs 6" and above. Standard sleeve is 8" tall.
- \* ● Sleeves can be extended by adding 1" sleeve extensions.



Penetrant	Dim "A"	Dim "B"	Dim "C"	Dim "D"	Dim "A + E"
8"	8.0	14.1	12.0	Ø8.7	9.0
10"		16.3	14.1	Ø 10.9	
12"		18.3	16.1	Ø 12.9	