

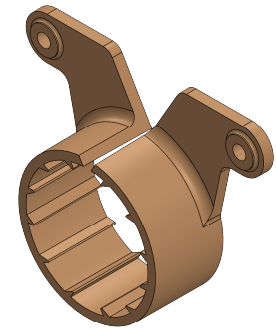
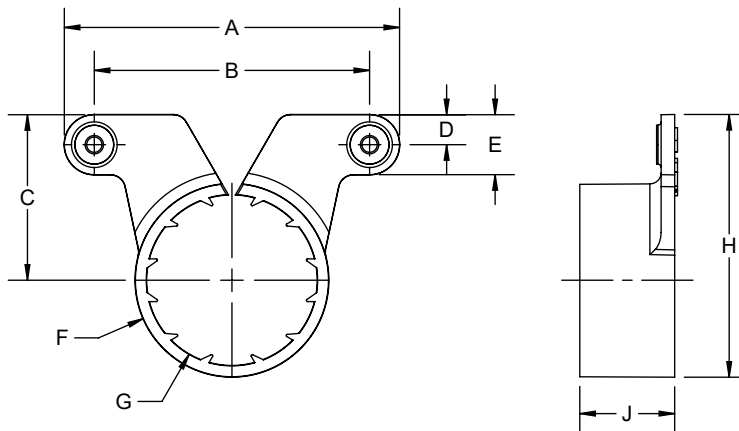
Product Submittal	
Name	
Date	
Architect/Owner	
Contractor	
Tag	
Notes	

## HoldRite® Suspension Clamps Specification Sheet/Drawing

The HOLDRITE #22X Series Suspension Clamps are designed to support 1/2" through 2" tubing. Helps to eliminate noise transfer and isolates against dissimilar metal contact. Compatible with Copper, PEX, CPVC and other tubing.

### Product Information:

- Material:  
Polypropylene, Tan, #221 thru #226 (CTS)  
Polypropylene, Gray, #227 & 228 (IPS)
- Suspension clamp mounts to HOLDRITE Stout Brackets®, #170 Series Brackets, or flush mounted to walls/joists to support Copper, PEX and CPVC tubing



#224 SHOWN

MODEL	SIZE	A	B	C	D	E	F	G	H	J
#221	1/2"	2.16	1.63	1.08	.27	.53	Ø.90	Ø.76	1.53	.69
#222	3/4"	2.16	1.63	1.13	.27	.53	Ø1.17	Ø1.02	1.72	.70
#223	1"	2.16	1.63	1.27	.27	.53	Ø1.44	Ø1.27	1.99	.75
#224	1-1/4"	2.97	2.44	1.47	.27	.53	Ø1.71	Ø1.52	2.33	.84
#225	1-1/2"	2.97	2.44	1.67	.27	.53	Ø1.98	Ø1.77	2.66	.88
#226	2"	3.78	3.25	1.87	.27	.53	Ø2.50	Ø2.27	3.12	.99
#227	1-1/2"	2.97	2.44	1.67	.27	.53	Ø2.26	Ø2.04	2.80	.88
#228	2"	3.78	3.25	1.87	.27	.53	Ø2.75	Ø2.52	3.25	.99