



# RedLINK® Zoning Options

## TECHNICAL REFERENCE MANUAL

### ZONING WITH IAQ CONTROL

#### RedLINK FocusPRO Thermostats

##### 2–3 Zones

**System Type:**

1–2 Stage Furnace + 1–2 Stage Cooling ..... Option A. Page 2  
 Single Stage Heat Pump + Electric Heat Strips for Auxiliary Heat ..... Option A. Page 2  
 2 Stage Heat Pump + Electric Heat Strips for Auxiliary Heat ..... Option B. Page 3  
 Dual Fuel (1 of 2 Stage Heat Pump + 1 or 2 Stage Gas/Oil Furnace ..... Option C. Page 4

##### 4 Zones

**System Type:**

1–2 Stage Furnace + 1–2 Stage Cooling ..... Option B. Page 2  
 Single Stage Heat Pump + Electric Heat Strips for Auxiliary Heat ..... Option B. Page 2  
 2 Stage Heat Pump + Electric Heat Strips for Auxiliary Heat ..... Option B. Page 2  
 Dual Fuel (1 of 2 Stage Heat Pump + 1 or 2 Stage Gas/Oil Furnace ..... Option C. Page 4

##### 5–32 Zones

**System Type:**

1–2 Stage Furnace + 1–2 Stage Cooling ..... Option D. Page 4  
 Single Stage Heat Pump + Electric Heat Strips for Auxiliary Heat ..... Option D. Page 4  
 2 Stage Heat Pump + Electric Heat Strips for Auxiliary Heat ..... Option D. Page 4  
 Dual Fuel (1 of 2 Stage Heat Pump + 1 or 2 Stage Gas/Oil Furnace ..... Option D. Page 4

#### Prestige Thermostats for All Zones

##### 2–3 Zones

**System Type:**

1–2 Stage Furnace + 1–2 Stage Cooling ..... Option E. Page 6  
 Single Stage Heat Pump + Electric Heat Strips for Auxiliary Heat ..... Option E. Page 6  
 2 Stage Heat Pump + Electric Heat Strips for Auxiliary Heat ..... Option F. Page 6  
 Dual Fuel (1 of 2 Stage Heat Pump + 1 or 2 Stage Gas/Oil Furnace ..... Option G. Page 6

##### 4 Zones

**System Type:**

1–2 Stage Furnace + 1–2 Stage Cooling ..... Option F. Page 6  
 Single Stage Heat Pump + Electric Heat Strips for Auxiliary Heat ..... Option F. Page 6  
 2 Stage Heat Pump + Electric Heat Strips for Auxiliary Heat ..... Option F. Page 6  
 Dual Fuel (1 of 2 Stage Heat Pump + 1 or 2 Stage Gas/Oil Furnace ..... Option G. Page 6

#### RedLINK VisionPRO Thermostats

RedLINK VisionPRO Thermostats ..... Page 8  
 Zoning without IAQ Control ..... Page 9  
 EIM to Zone Panel Wiring Diagrams ..... Page 10



## IAQ CONTROL FROM ZONE 1 STAT

### Option A: 2–3 Zones

**Table 1. 1–2 Stage Furnace + 1–2 Stage Cooling or Single Stage Heat-Pump + Electric Heat-Strips for Auxiliary Heat. No Dual Fuel.**

Parts list	Description	Quantity
1. HZ322K zone panel kit	Includes HZ322 zone panel, C7735A1000 discharge sensor, and AT140A1042 transformer	1
2. YTHX9421R	Prestige IAQ kit with Thermostat & EIM. (Different kits can also include accessories such as a RedLINK Internet gateway.)	1
3. YTH6320R1023	Includes TH6320R1004 wireless programmable FocusPRO thermostat and THM4000R1000 adapter	1
4. TH6320R1004	Wireless thermostat for zone 3 ( <i>not needed for 2 zone system</i> )	0–1
5. Appropriate zone dampers and by-pass damper for the application		

### Option B: 2–4 Zones

**Table 2. 1–3 Stage Furnace + 1–2 Stage Cooling, or 1–2 Stage Heat-Pump + Electric Heat-Strips for Auxiliary Heat.**

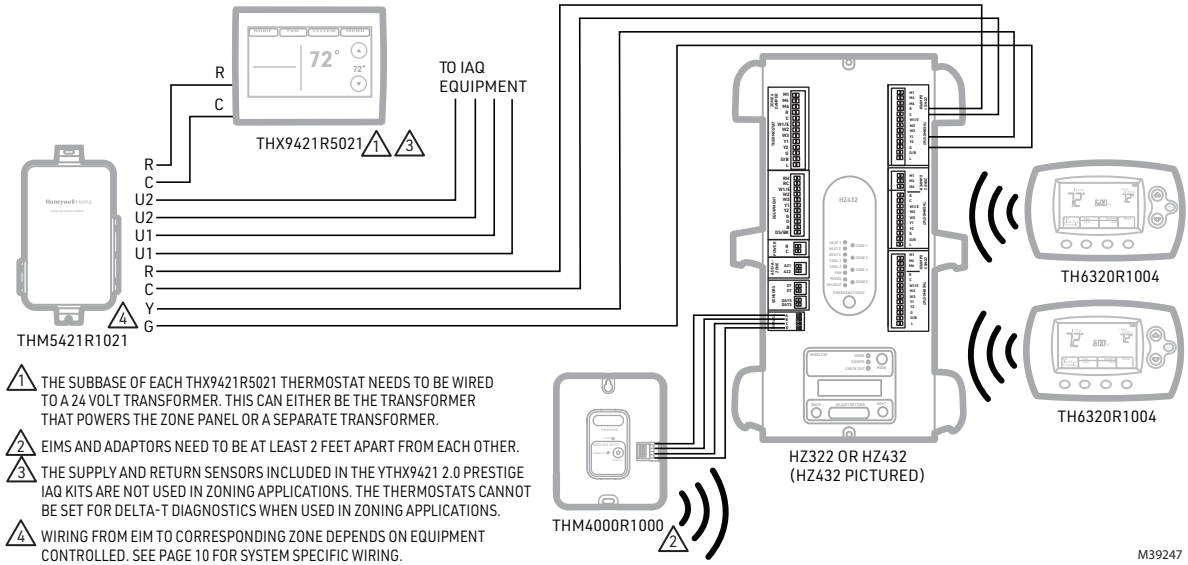
Parts list	Description	Quantity
1. HZ432K zone panel kit	Includes HZ432 zone panel, C7735A1000 discharge sensor, and AT140A1042 transformer	1
2. YTHX9421R	Prestige IAQ kit with Thermostat & EIM. (Different kits can also include accessories such as a RedLINK Internet gateway.)	1
3. YTH6320R1023	Includes: TH6320R1004 wireless programmable FocusPRO thermostat and THM4000R1000 adapter	1
4. TH6320R1004	Wireless thermostats for zones 3 and 4 ( <i>not needed for 2 zone system</i> )	0–2
5. Appropriate zone dampers and by-pass damper for the application		

### Option C: 2–4 Zones

**Table 3. Dual Fuel. 1–2 Stage Heat-Pump + 1–2 Stage Gas Furnace.**

Parts list	Description	Quantity
1. HZ432K zone panel kit	Includes: HZ432 zone panel, C7735A1000 discharge sensor, and AT140A1042 transformer	1
2. YTHX9421R	Prestige IAQ kit with Thermostat & EIM. (Different kits can also include accessories such as a RedLINK Internet gateway.)	1
3. YTH6320R1023	Includes: TH6320R1004 wireless programmable FocusPRO thermostat and THM4000R1000 adapter	1
4. TH6320R1004	Wireless thermostats for zones 3 and 4 (not needed for 2 zone system)	0–2
5. C7089R1013	Wireless outdoor sensor for dual fuel changeover	1
6. Appropriate zone dampers and by-pass damper for the application		

See Fig. 1 below for basic wiring.



M39247

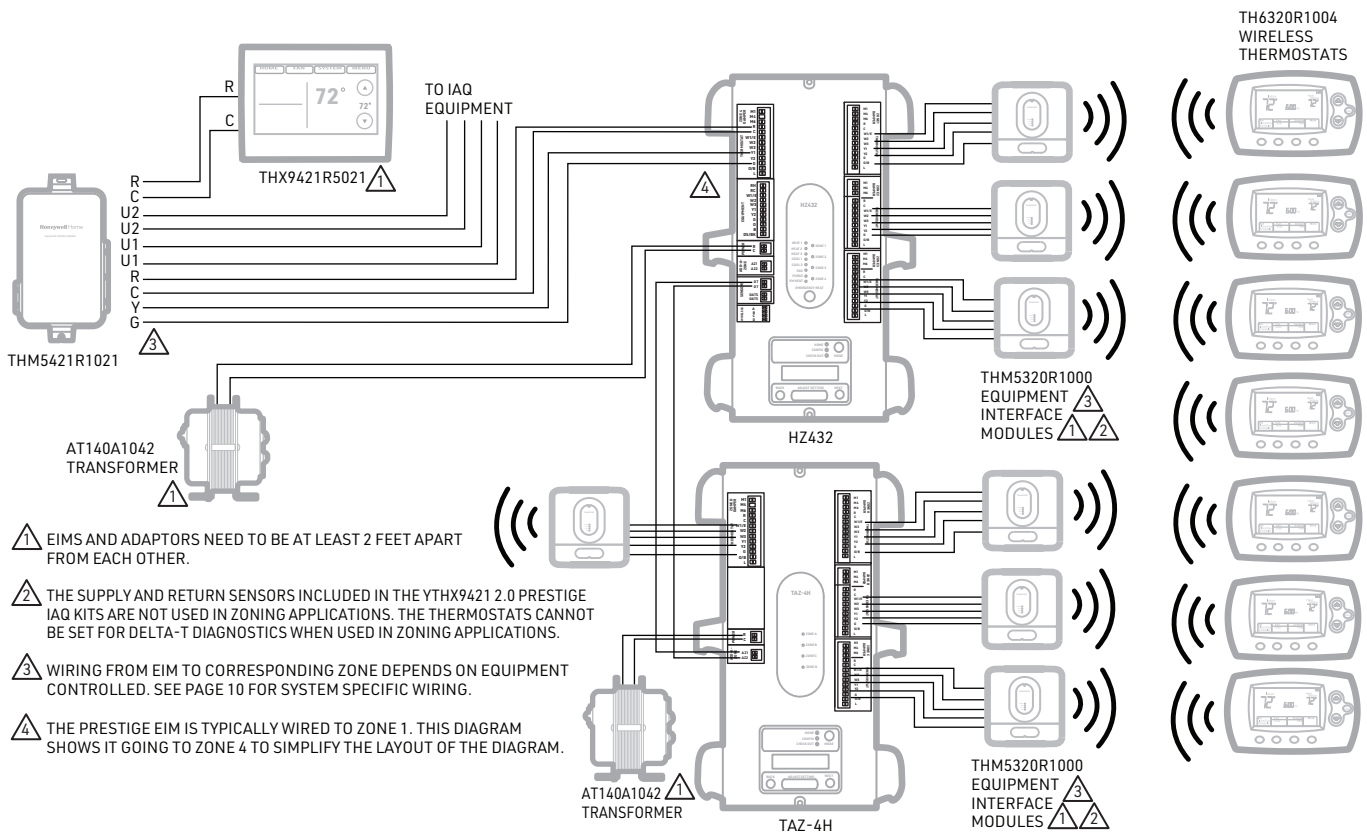
**Fig. 1. Zoning with IAQ equipment.**

## Option D: More Than 4 Zones (Cannot use THM4000R Wireless Adapter)

**Table 4. 1–3 Stage Furnace + 1–2 Stage Cooling, Heat-Pump with 1–2 Compressor Stages + Auxiliary Heat, or 1–2 Stage Heat-Pump + 1–2 Stage Gas Furnace (Dual Fuel).**

Parts list	Description	Quantity
1. HZ432K zone panel kit	Includes: HZ432 zone panel, C7735A1000 discharge sensor, and AT140A1042 transformer	1
2. TAZ-4H	Add-A-Zone panel	1 per each additional 4 zones
3. AT140A1042	40VA transformer	1 per TAZ-4H panel
4. YTHX9421R	Prestige IAQ kit with Thermostat & EIM. (Different kits can also include accessories such as a RedLINK Internet gateway.)	1
5. YTH6320R1001	Wireless FocusPRO and EIM kit	1 for each zone other than the Prestige zone
6. Appropriate zone dampers and by-pass damper for the application		
7. C7089U1006	Wired outdoor sensor (required for dual fuel applications only)	1

See Fig. 2 below for basic wiring.



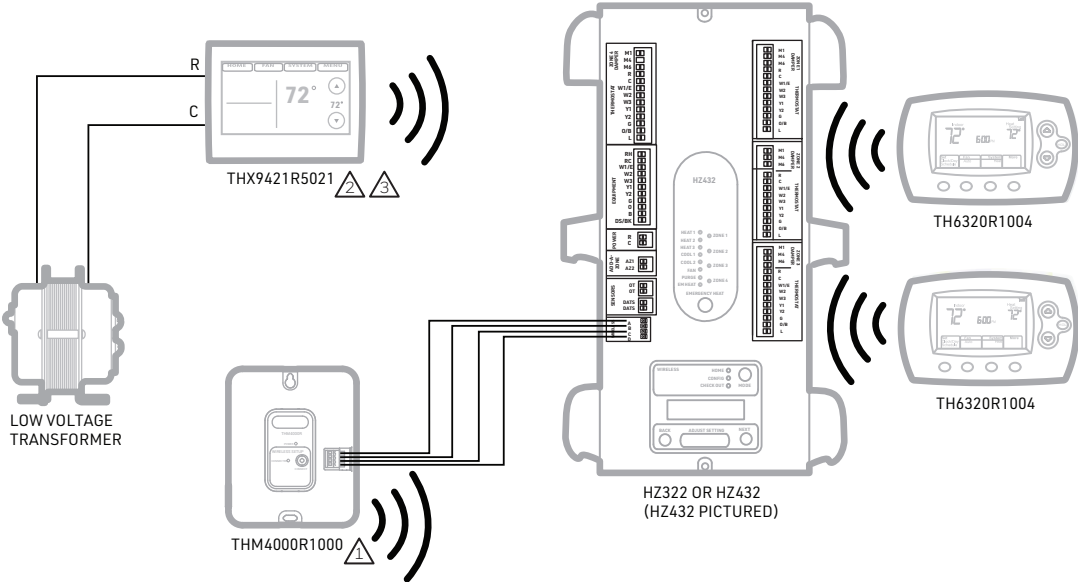
M39274

**Fig. 2. More than 4 zones with Prestige on zone 1 and RedLINK FocusPRO for other zones.**

# NO IAQ EQUIPMENT OR ECONOMIZER CONTROL

For any of the 2-4 zone applications listed in this document that do not need to control a Humidifier, Dehumidifier, Ventilator, economizer, or Remote Indoor Sensor, you can eliminate the THM5421R1021. You can either enroll the Prestige IAQ thermostat to the THM4000R1000 wireless adapter that is included in the YTH6320R1023 kit or use another TH6320R1004 thermostat for zone 1 in place of the Prestige IAQ. When a TAZ-4H is used for systems over 4 zones, you cannot use a THM4000R1000.

See Fig. 3 below for basic wiring.



- ⚠️ EIMS AND ADAPTORS NEED TO BE AT LEAST 2 FEET APART FROM EACH OTHER.
- ⚠️ THE SUPPLY AND RETURN SENSORS INCLUDED IN THE YTHX9421 2.0 PRESTIGE IAQ KITS ARE NOT USED IN ZONING APPLICATIONS. THE THERMOSTATS CANNOT BE SET FOR DELTA-T DIAGNOSTICS WHEN USED IN ZONING APPLICATIONS.
- ⚠️ PRESTIGE IAQ THERMOSTATS USED WITH A THM4000R ADAPTOR AND THM6000R GATEWAY LOSE THE 2.0 FUNCTIONALITY ONLINE. THIS MEANS YOU WILL BE ABLE TO OVERRIDE THE SET POINT BUT CANNOT PROGRAM THEM OR CONTROL THE FAN SETTING VIA APP. ALSO THEY CANNOT BE USED IN A DEMAND RESPONSE UTILITY PROGRAM. ALSO YOU CANNOT USE THOSE THERMOSTATS WITH AN R EM1000R1003 EXIT/ENTRY CONTROL OR WSK 24 REMOTE SETBACK.

M39249

**Fig. 3. No IAQ Equipment.**

## ALL PRESTIGE THERMOSTATS WITHOUT IAQ CONTROL

**Option E: 2–3 Zones** (If C7189R or C7189U Indoor Sensors are Used, Cannot Use THM4000R. Need separate EIM for Each Stat).

**Table 5. 1–2 Stage Furnace + 1–2 Stage Cooling or Single Stage Heat-Pump + Electric Heat-Strips for Auxiliary Heat. Not Dual Fuel.**

Parts list	Description	Quantity
1. HZ322K zone panel kit	Includes: HZ322 zone panel, C7735A1000 discharge sensor, and AT140A1042 transformer	1
2. YTHX9421R	Prestige IAQ kit with Thermostat & EIM for IAQ zone (usually zone 1). Different kits can also include accessories such as a RedLINK Internet gateway	1
3. THX9421R5021	Prestige without EIM for zones 2–3	1–2
4. THM4000R1000	Wireless adapter for zone 2–3 Prestige IAQ thermostats not controlling IAQ equipment or using an indoor sensor	1
5. Appropriate zone dampers and by-pass damper for the application		

**Option F: 2–4 Zones** (If C7189R or C7189U Indoor Sensors are Used, Cannot Use THM4000R. Need Separate EIM for Each Stat).

**Table 6. 1–3 Stage Furnace + 1–2 Stage Cooling, or 1–2 Stage Heat-Pump + Electric Heat-Strips for Auxiliary Heat.**

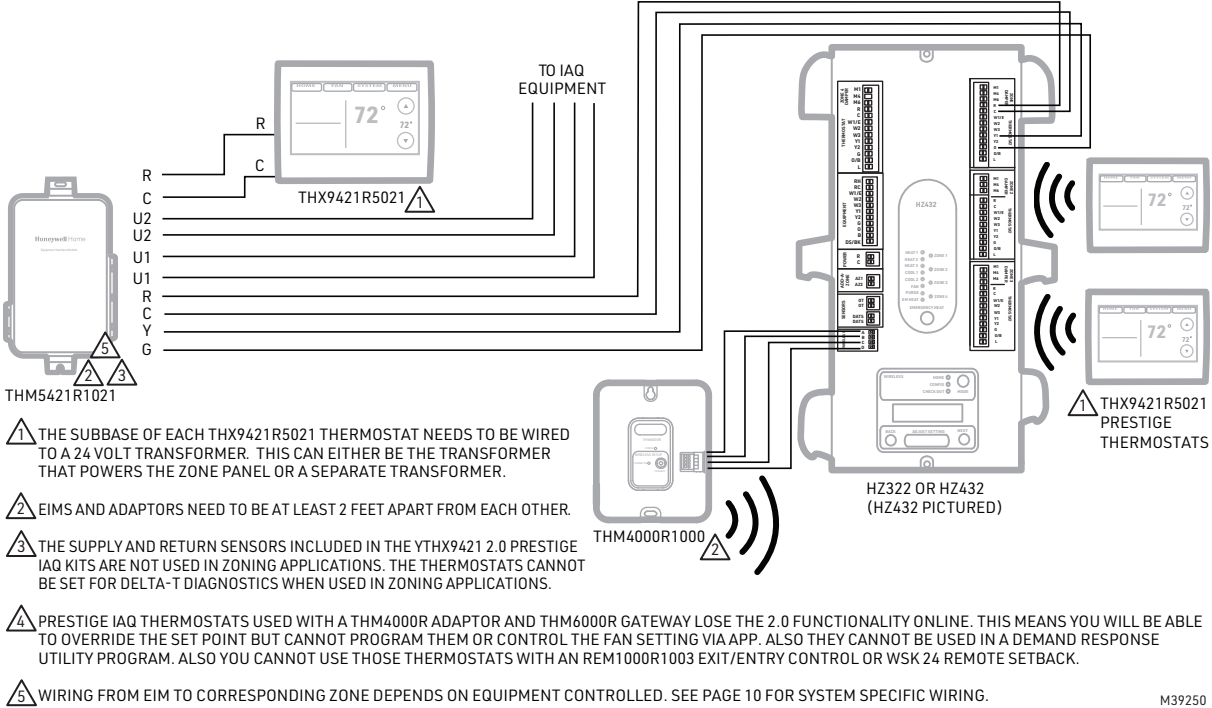
Parts list	Description	Quantity
1. HZ432K zone panel kit	Includes: HZ432 zone panel, C7735A1000 discharge sensor, and AT140A1042 transformer	1
2. YTHX9421R	Prestige IAQ kit with Thermostat & EIM for IAQ zone (usually zone 1). Different kits can also include accessories such as a RedLINK Internet gateway	1
3. THX9421R5021	Prestige without EIM for zones 2–4	1–3
4. THM4000R1000	Wireless adapter for zone 2–4 Prestige IAQ thermostats not controlling IAQ equipment or using an indoor sensor	1
5. Appropriate zone dampers and by-pass damper for the application.		

**Option G: 2–4 Zones** (If C7189R or C7189U Indoor Sensors are Used, Cannot Use THM4000R. Need Separate EIM for Each Stat).

**Table 7. Dual Fuel. 1–2 Stage Heat-Pump + 1–2 Stage Gas Furnace.**

Parts list	Description	Quantity
1. HZ432K zone panel kit.	Includes: HZ432 zone panel, C7735A1000 discharge sensor, and AT140A1042 transformer	1
2. YTHX9421R	Prestige IAQ kit with Thermostat & EIM for IAQ zone (usually zone 1). Different kits can also include accessories such as a RedLINK Internet gateway	1
3. THX9421R5021	Prestige without EIM for zones 2–4	1–3
4. THM4000R1000	Wireless adapter for zone 2–4 Prestige IAQ thermostats not controlling IAQ equipment or using an indoor sensor	1
5. C7089R1013	Wireless outdoor sensor	1
6. Appropriate zone dampers and by-pass damper for the application		

See Fig. 4 below for basic wiring.



**Fig. 4. Zoning with IAQ equipment (humidifier, dehumidifier, or ventilator).**

### Option H: More Than 4 zones (Cannot Use THM4000R Wireless Adapter)

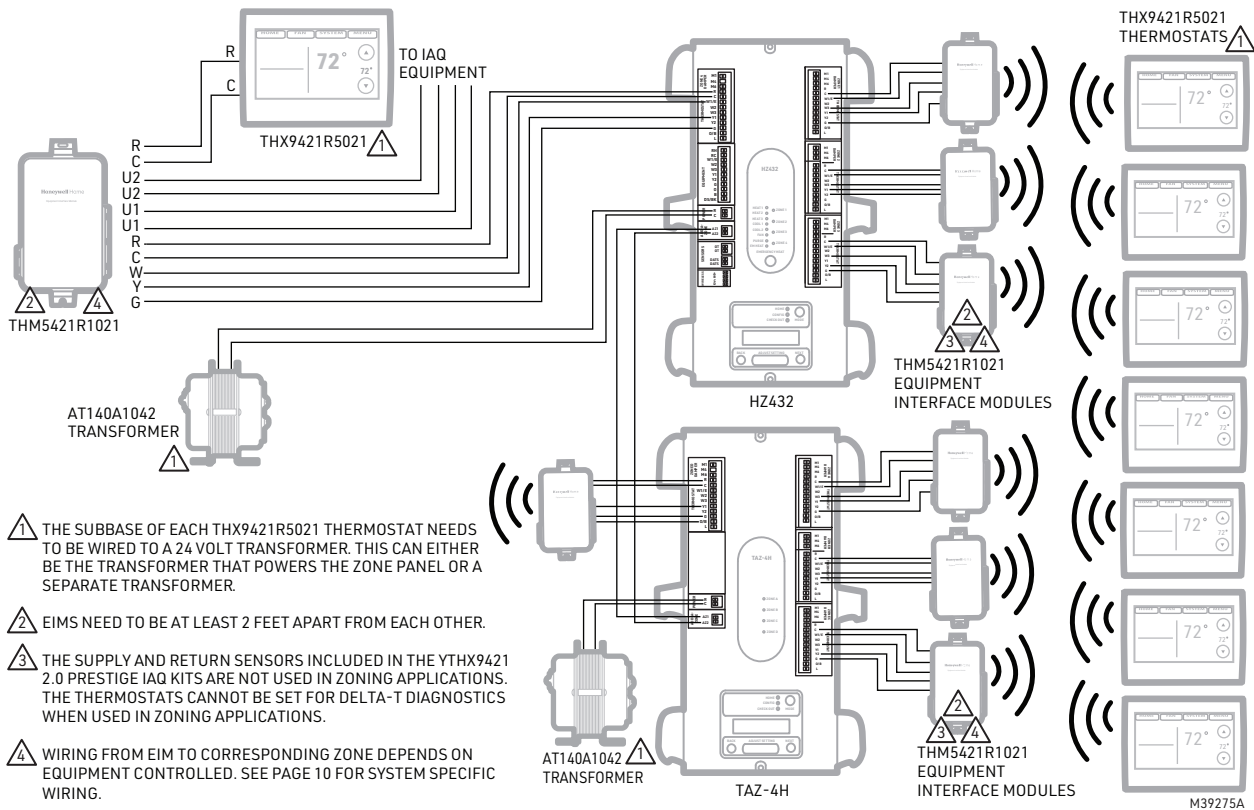
**Table 8. 1–3 Stage Furnace + 1–2 Stage Cooling, Heat-Pump with 1–2 Compressor Stages + Auxiliary Heat, or 1–2 Stage Heat-Pump + 1–2 Stage Gas Furnace (Dual Fuel).**

Parts list	Description	Quantity
1. HZ432K zone panel kit	Includes HZ432 zone panel, C7735A1000 discharge sensor, and AT140A1042 transformer	1
2. TAZ-4H	Add-A-Zone panel	1 per each additional 4 zones
3. AT140A1042	40VA transformer	1 per TAZ-4H panel
4. YTHX9421R	Prestige IAQ thermostat kit with EIM	1 for each zone
5. Appropriate zone dampers and by-pass damper for the application		
6. C7089U1006	Wired outdoor sensor (required for dual fuel applications only)	1

### RedLINK VisionPRO instead of Prestige

For any of the A–F applications listed, you could replace the Prestige IAQ thermostats with TH8321R1001 RedLINK VisionPRO models. When the RedLINK VisionPRO models are used, you can link to the THM5421R1021 or THM4000R1000 (same as Prestige) or wire directly from the thermostat sub-base to the zone connection on the zone panel if wires are available.

See Fig. 5 below for basic wiring.



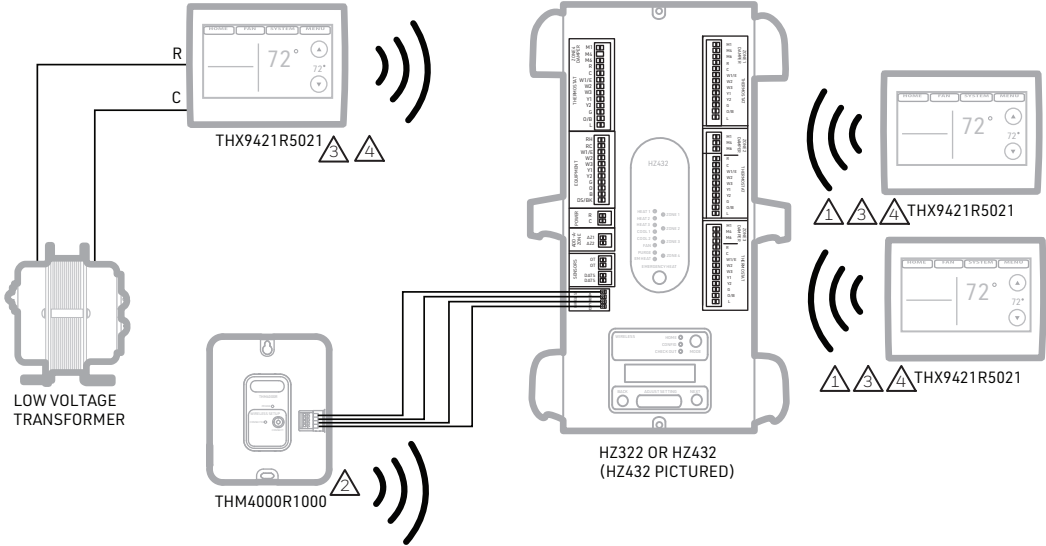
**Fig. 5. More than 4 zones with all Prestige.**



# No IAQ Equipment

Any of the above listed 2-4 zone applications that do not need to control a Humidifier, Dehumidifier, Ventilator, Economizer or Remote Indoor Sensor can eliminate the THM5421R1021. You can enroll all Prestige IAQ or RedLINK VisionPRO thermostats to the THM4000R1000 wireless adaptor. When a TAZ-4H is used for systems over 4 zone you cannot use a THM4000R1000.

See Fig. 6 below for basic wiring.

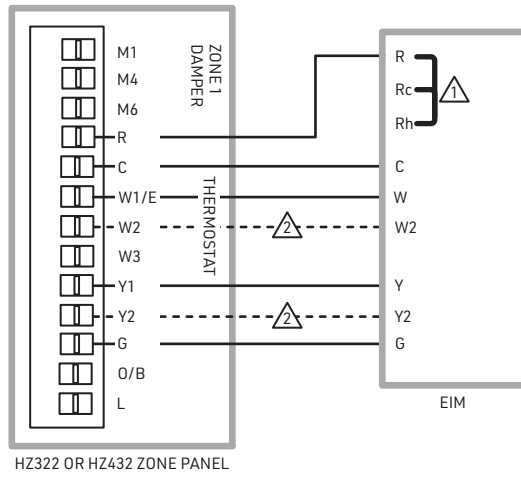


- 1 THE SUBBASE OF EACH THX9421R5021 THERMOSTAT NEEDS TO BE WIRED TO A 24 VOLT TRANSFORMER. THIS CAN EITHER BE THE TRANSFORMER THAT POWERS THE ZONE PANEL OR A SEPARATE TRANSFORMER.
- 2 EIMS AND ADAPTORS NEED TO BE AT LEAST 2 FEET APART FROM EACH OTHER.
- 3 THE SUPPLY AND RETURN SENSORS INCLUDED IN THE YTHX9421 2.0 PRESTIGE IAQ KITS ARE NOT USED IN ZONING APPLICATIONS. THE THERMOSTATS CANNOT BE SET FOR DELTA-T DIAGNOSTICS WHEN USED IN ZONING APPLICATIONS.
- 4 PRESTIGE IAQ THERMOSTATS USED WITH A THM4000R ADAPTOR AND THM6000R GATEWAY LOSE THE 2.0 FUNCTIONALITY ONLINE. THIS MEANS YOU WILL BE ABLE TO OVERRIDE THE SET POINT BUT CANNOT PROGRAM THEM OR CONTROL THE FAN SETTING VIA APP. ALSO THEY CANNOT BE USED IN A DEMAND RESPONSE UTILITY PROGRAM. ALSO YOU CANNOT USE THOSE THERMOSTATS WITH AN REM1000R1003 EXIT/ENTRY CONTROL OR WSK 24 REMOTE SETBACK.

M39252

**Fig. 6. No IAQ equipment or remote indoor sensor.**

## EIM to Zone Panel Wiring Diagrams

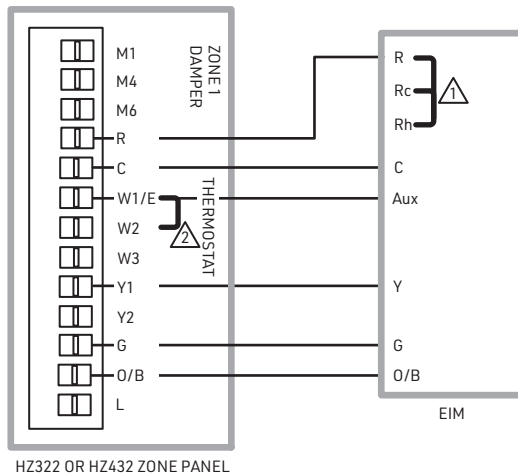


⚠️ LEAVE R, Rc, Rh JUMPERS INSTALLED.

⚠️ DOTTED LINES FOR MULTI-STAGE ONLY.

M39276

**Fig. 7. Gas furnace and AC.**

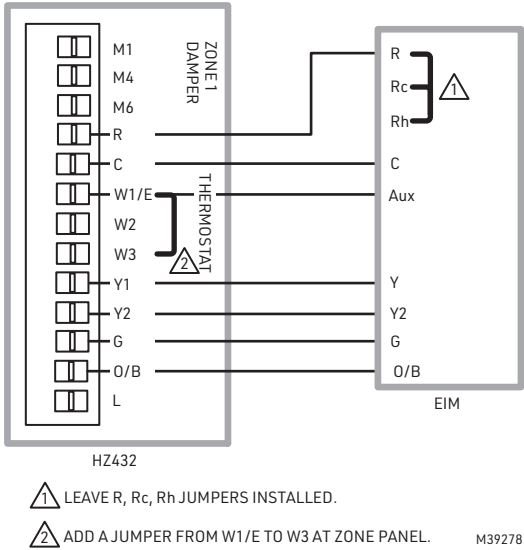


⚠️ LEAVE R, Rc, Rh JUMPERS INSTALLED.

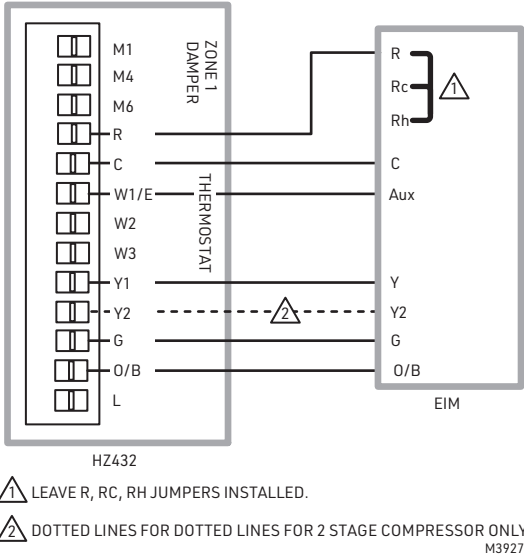
⚠️ ADD A JUMPER FROM W1/E TO W2 AT ZONE PANEL.

M39277

**Fig. 8. Heat pump with 1-stage compressor and electric strips.**



**Fig. 9. Heat pump with 2-stage compressor and electric strips.**



**Fig. 10. Dual fuel heat pump.**

**To Learn More**

For more information regarding zoning, contact **800-468-1502**, or for technical literature go to **customer.resideo.com**



Resideo Technologies, Inc.  
1985 Douglas Drive North, Golden Valley, MN 55422  
1-800-468-1502  
33-00642-03 SA Rev. 05-23 | Printed in United States