

# ELECTRONIC TRAP PRIMER

» 695-E SERIES

ETP™

ITEM # SUBMITTED	_____
JOB NAME	_____
LOCATION	_____
ENGINEER	_____
CONTRACTOR	_____
PO#	_____ TAG _____

## SPECIFICATION

Sioux Chief ETP™ electronic trap primers shall be used where replenishment of water in floor drain traps is required to prevent escape of sewer gas. Trap primer shall be listed and certified to ASSE 1044 and equipped with solenoid actuating device, vacuum breaker, distribution manifold, and proper electrical hardware. Water release is factory-set for daily release of 2 ounces. Frequency and duration of activation shall be adjustable. Trap primer shall be equipped with an ASSE 1010 arrester to protect the solenoid device. Trap primer shall be mounted in steel access boxes.

## INSTALLATION

The number of traps serviced by any trap primer is a function of activation frequency and evaporation rate and should be determined by the design engineer and/or the installing contractor.

## MATERIALS

- Box housing:** galvanized steel
- Arrester:** stainless steel, EPDM o-ring, plastic piston, DOW 111 lubricant
- Distribution manifold:** Type L copper
- Outlet connection:** brass
- Solenoid:** plastic housing, brass components
- Vacuum breaker:** brass

## ELECTRICAL

Connect unit to 120 VAC supply. Power consumption is 9.2 watts at 60 Hz. Maximum feet to electrical supply: 300 Ft. Minimum wire gauge: 18 ga. 3 amp circuit breaker included

## DIMENSIONS

- A: Inlet connection 1/2" female sweat
- B: Outlet connections 5/8" compression (11/16" UNS)

### Recessed Cabinet Units

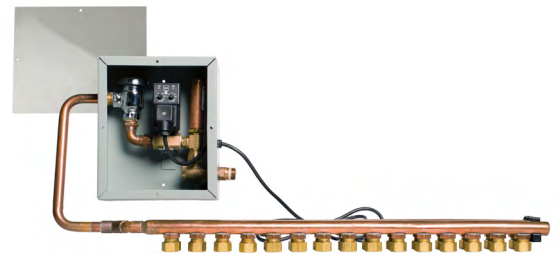
- C: Cabinet height (14 x 14): 14" (14 x 30): 14"
- D: Cabinet width (14 x 14): 14" (14 x 30): 30"
- E: Cabinet depth 3"

### Surface Cabinet Units

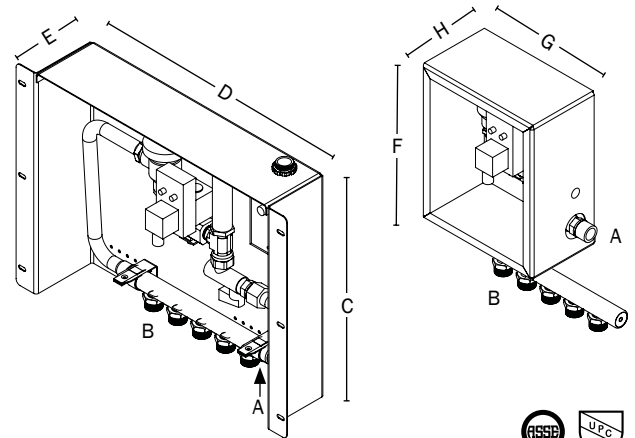
- F: Cabinet height 8 1/2"
- G: Cabinet width 7"
- H: Cabinet depth 4"



695-ER05



695-ES30



## Create Item Number

### 695-AB

e.g. **695-ER15:** Recessed cabinet electronic trap primer, 15 port  
 Additional options available at [www.siouxchief.com](http://www.siouxchief.com)

#### BOX TYPE A

- ER = Recessed box
- ES = Surface mount

#### PORT OUTLET MULTIPLE B

- 05 = w/ single manifold (14" x 14" box\*)
- 10 = w/ double manifold (14" x 14" box\*)
- 15 = w/ single manifold (14" x 30" box\*)
- 20 = w/ double manifold (14" x 30" box\*)
- 30 = w/ double manifold (14" x 30" box\*)

\*recessed box size

#### AVAILABLE SEPARATELY

- 14" x 14" Hinged metal access door: 971-1414
- 14" x 30" Hinged metal access door: 971-1430