

ROOF DRAIN

» 867 SERIES

SPECIFICATION

Sioux Chief 867 Series roof drain shall be used where necessary in drainage systems. Roof drain shall have a polypro or cast iron dome strainer. Dome strainer shall fasten to gravel guard. Gravel guard shall fasten to drain body with four screws that thread into brass inserts. Drain body shall have an ABS or PVC Sch. 40 hub for solvent weld connection. Designed in accordance with ASME A112.6.4-2003.

MATERIALS

Dome strainer: polypropylene, enamel-coated cast iron

Gravel guard: ABS, enamel-coated cast iron

Drain body: ABS, PVC

STRAINER FREE AREA

37.6 in²

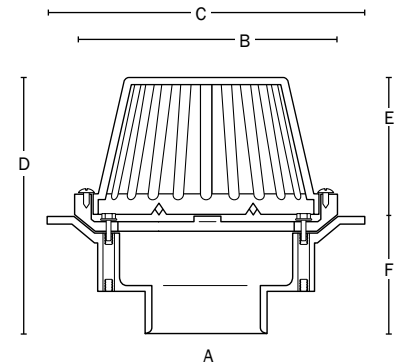
DIMENSIONS

A: Connection	Sch. 40 hub: 2", 3", 4"
B: Gravel guard diameter	8"
C: Flange diameter	10"
D: Overall height	8 $\frac{1}{8}$ "
E: Elevation	4 $\frac{1}{8}$ "
F: Drain body height	4"

ITEM # SUBMITTED	_____
JOB NAME	_____
LOCATION	_____
ENGINEER	_____
CONTRACTOR	_____
PO#	_____ TAG _____



867-P3



Create Item Number

867-ABC

e.g. **867-P3U**: Roof drain with 3" PVC Sch. 40 hub connection, polypro dome strainer, and underdeck clamp kit

CONNECTION TYPE A

A = ABS

P = PVC

CONNECTION SIZE B

2 = 2" Sch. 40 hub

3 = 3" Sch. 40 hub

4 = 4" Sch. 40 hub

INSTALLED OPTIONS C

M = Cast iron dome strainer¹

V = Vandal-resistant dome strainer screws

P = SS mesh cover screen for dome strainer

C = Cast iron gravel guard²

STP2 = 2" internal standpipe for overflow

U = Underdeck clamp kit

¹ In place of standard polypro dome strainer

² In place of standard ABS gravel guard

Available separately:

Underdeck clamp kit: 867-C

Includes 2 clamping bars, thread rod, and hardware
SS mesh cover screen for dome strainer: 867-UM