

URINAL FLANGE

868 SERIES

SPECIFICATION

Sioux Chief 868 series urinal flanges shall be used where necessary in drainage systems. Flanges shall have a 2" hub, spigot or inside-fit connection. Connection to DWV system shall be made with a solvent weld joint to ABS/PVC pipe or fitting.

MATERIALS

- Flange:** ABS or PVC
- Bolts:** stainless steel
- Washers:** stainless steel
- Nuts:** stainless steel
- Gasket:** foam rubber

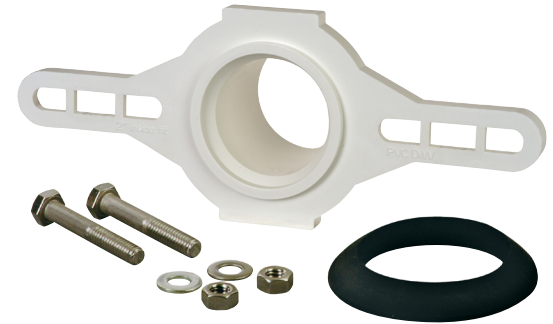
SLOT CONFIGURATION

Slots: fit 3½"—7" mounting centers

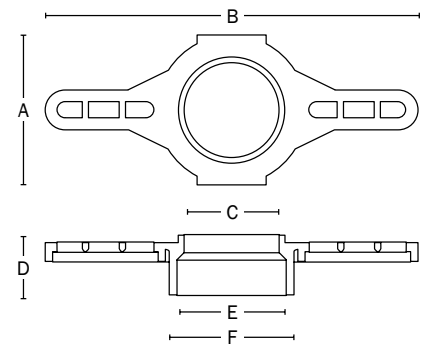
DIMENSIONS

	Hub	Spigot	Inside-fit
A: flange height	3½"	3½"	3½"
B: flange length	8½"	8½"	8½"
C: inlet diameter	2"	2"	2"
D: flange depth	1⅜"	2⅜"	2⅜"
E: connection I.D.	2⅜"	2"	1¾"
F: connection O.D.	2¾"	2⅜"	2"

ITEM # SUBMITTED	_____
JOB NAME	_____
LOCATION	_____
ENGINEER	_____
CONTRACTOR	_____
PO#	_____ TAG _____



868-5P



Create Item Number

868-AB

e.g. 868-5P: 2" hub connection PVC urinal flange

CONNECTION TYPE A

- 5 = hub connection
- 7 = inside-fit connection
- 9 = spigot connection

MATERIAL B

- P = PVC
- A = ABS