

CLOSET FLANGE

887 SERIES

SPECIFICATION

Sioux Chief 887 series closet flanges shall be used where necessary in drainage systems. Flange shall have a full-swivel, corrosion-resistant stainless steel ring, with sufficient holes for securing to floor and slots for inserting closet bolts. Flange shall have a 3" Sch. 40 hub connection which conforms to ASTM D2665 (PVC) or D2661 (ABS) and will solvent weld inside 4" pipe¹. Always fasten closet flanges to the floor.

MATERIALS

flange body: ABS or PVC
swivel ring: 430 stainless steel

DIMENSIONS

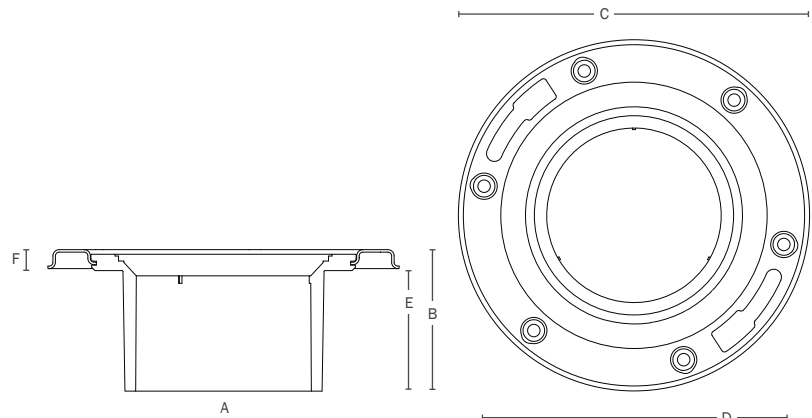
A: Connection	3" Sch. 40 hub, inside 4" pipe ¹
B: Overall height	2 ⁷ / ₈ "
C: Ring diameter	7"
D: Screw/bolt centers	6 ¹ / ₈ "
E: Tailpiece height	2 ¹ / ₂ "
F: Ring height	³ / ₈ "

¹ The inside diameter of pipe can vary significantly. Flanges are designed to fit inside most, but may not fit all 4" pipe.

ITEM # SUBMITTED	_____
JOB NAME	_____
LOCATION	_____
ENGINEER	_____
CONTRACTOR	_____
PO#	_____ TAG _____



887-PM



Create Item Number

887-A

e.g. **887-PM:** Open, 3" Sch. 40 hub PVC closet flange with stainless steel swivel ring

- | | |
|-----------------------------|--------------------|
| A | FLANGE BODY |
| <input type="checkbox"/> AM | ABS flange body |
| <input type="checkbox"/> PM | PVC flange body |