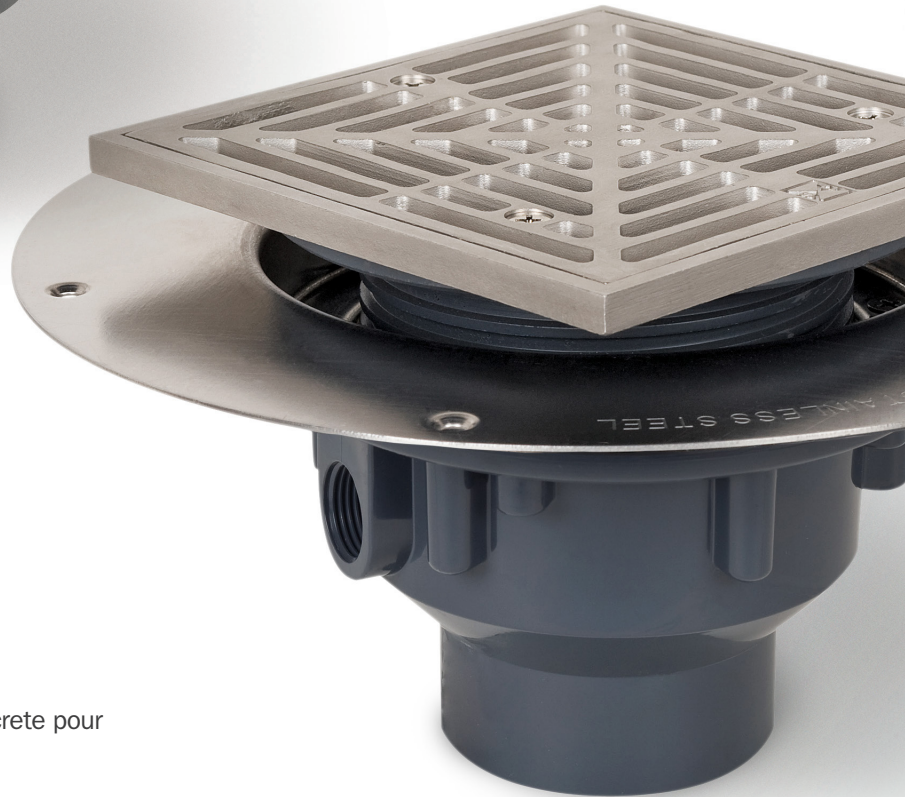


# Halo™

Adjustable Drain/Cleanout with Deck Flange



## Unique

Stainless steel mounting flange with adjustable head will accommodate most flooring types

FinishLine option allows adjustment after the concrete pour

## Versatile

Floor drain and cleanout models available for residential or commercial applications

Great for laundry/mechanical rooms, loft remodels, multifamily projects, etc.

Use on wood or corrugated decks, or in cored concrete floors

Supply

Drainage

Support

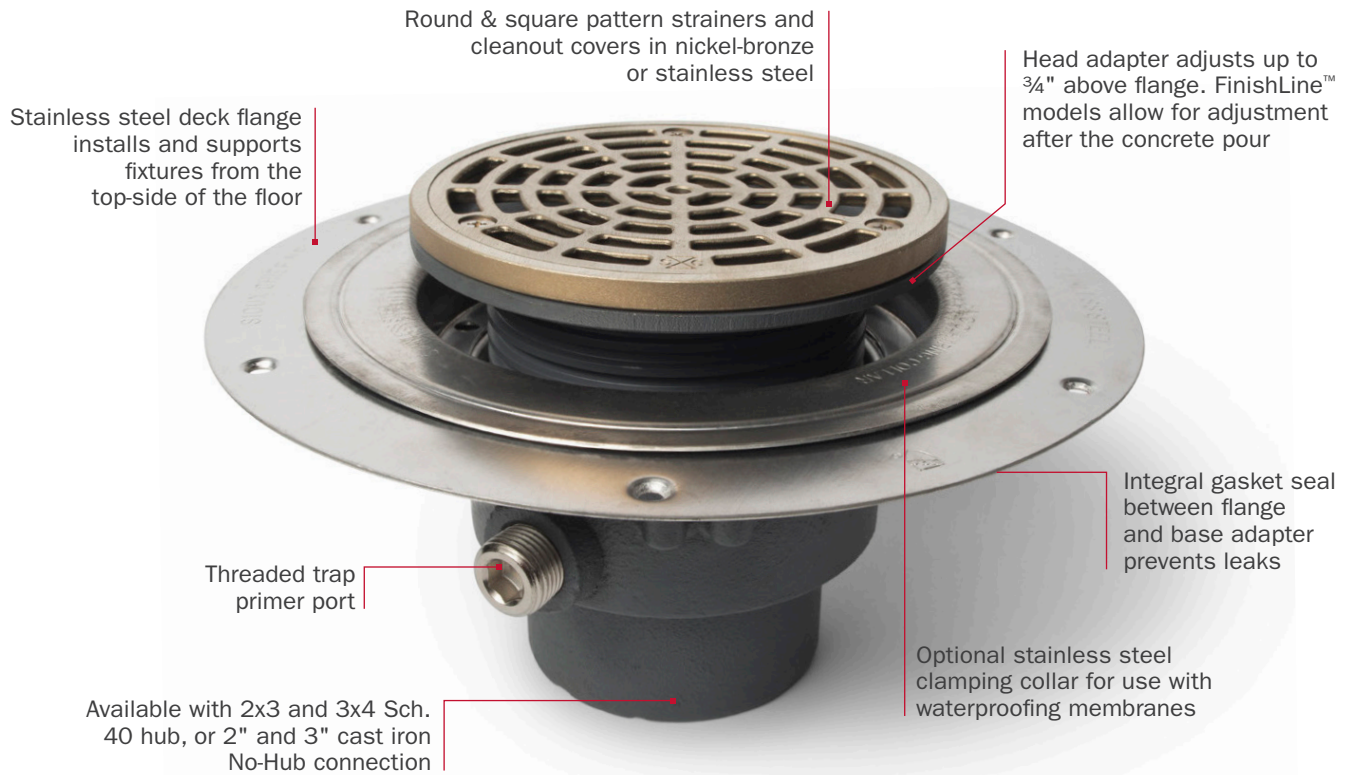
Specialties

[www.siouxchief.com](http://www.siouxchief.com)

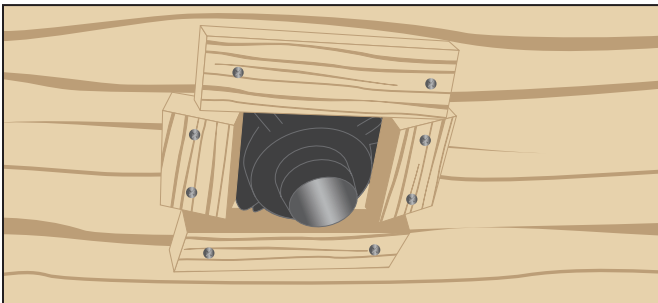
TAKE THE FIELD.



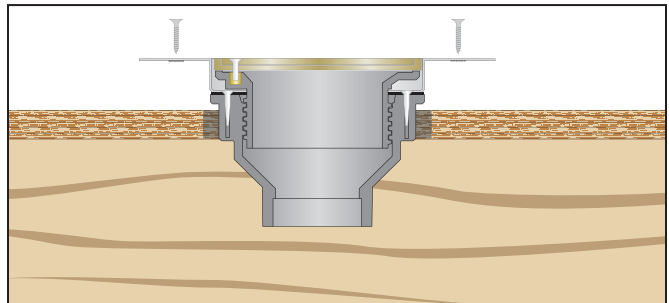
# Unique Design Provides Versatility



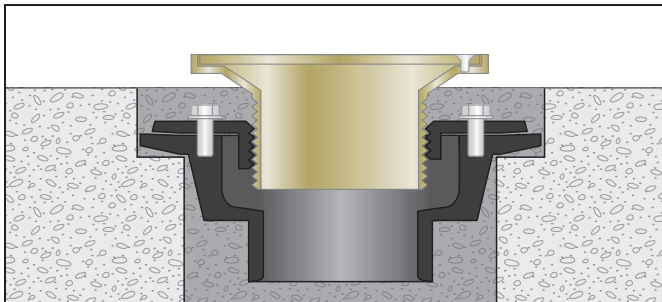
# Installs Easier than Existing Methods



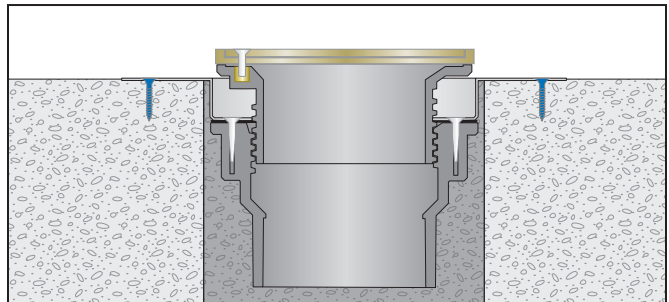
Blocking up a standard drain (with wood or strut) from under the floor is difficult and time consuming.



The Halo installs easily from the top side of the floor. Cut a 6" hole and secure with screws or nails.

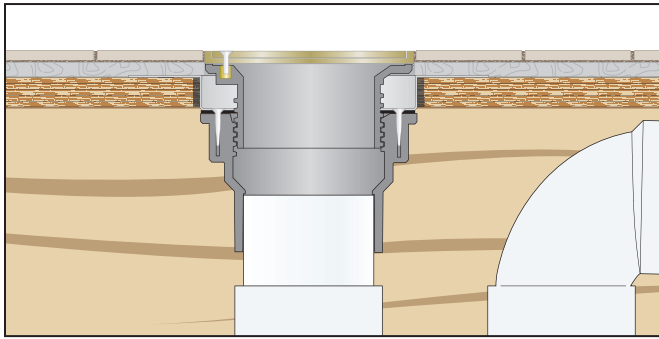


Standard drains require a more costly double-core when set in concrete slabs

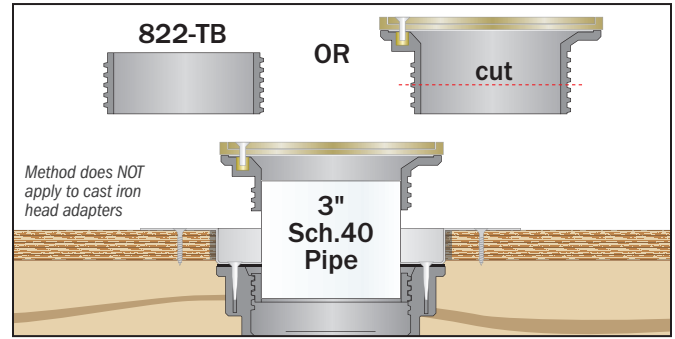


The Halo installs in a 6" cored (single) hole

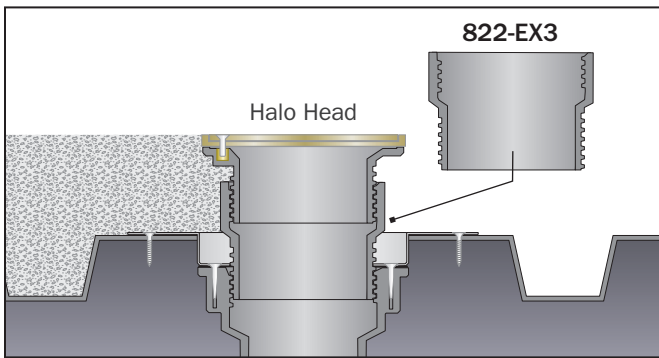
# Adjusting and Extending the Head Adapter



The Halo adjusts from flush, up to 3/4" above the flange to accommodate thin flooring like vinyl or linoleum and thicker floors using cement board and tile.

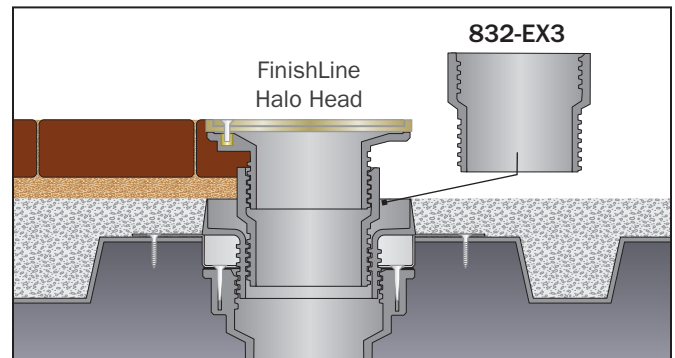


**Extend Head with Pipe:** Use the 822-TB or cut the ABS head adapter across the threads. Glue a measured length of 3" Sch. 40 pipe between the two parts with solvent cement.

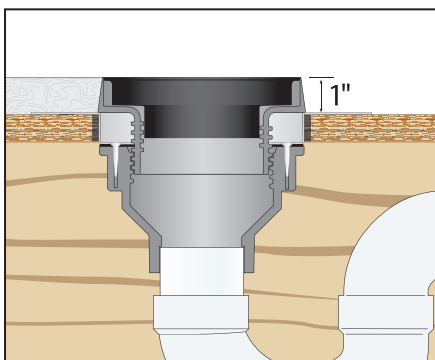


**Extend Head with Adapter:** The cast iron 822-EX3 extension adapter works with both ABS and cast iron components. Install between the Halo base and head adapter to extend the head from 1.75" to 3.0" above the flange.

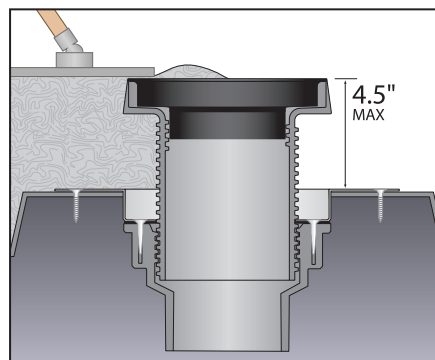
When using FinishLine Halo fixtures, the 832-EX3 extension adapter installs between the Coring Sleeve and FinishLine Halo head. Extends the head from 2.0" to 3.5" above the Coring Sleeve rim.



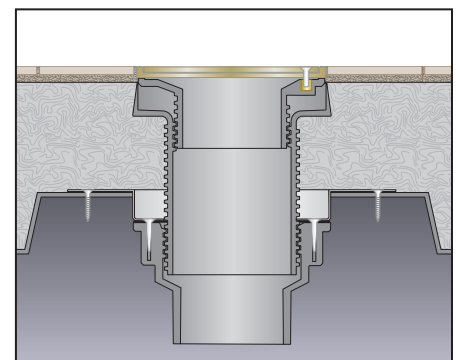
## The FinishLine™ Option for Secondary Slab Pours



For lightweight concrete pours, the FinishLine option allows adjustment after the pour. Set the Halo in place and the FinishLine Coring Plug/Sleeve assembly sets 1" above the flange.



The 832-EPS3 extended FinishLine Coring Sleeve (shown installed above) is great for deeper/structural slabs. It can be cut to length for easy extensions. Finish the lightweight pour or secondary slab flush with the plug/sleeve. Remove the Coring Plug and replace with the Finish Fixture when flooring is installed. Finish Fixture can be adjusted up to another 1" (or more when using the 832-EX3, above) after the secondary pour.



## Halo™ Drain Sch. 40 Hub Connection

- ABS or PVC connection. Outlet welds over 2" and inside 3" or over 3" and inside 4"
- Nickel-bronze or stainless steel ring and strainer - round or square pattern.

“ Eric told us about the Halo drains he had learned about on his Sioux Chief plant tour, and they ended up being perfect for the job. We were able to core drill a smaller hole, drop in and fasten, then adjust the strainer. It saved us a considerable amount of time, not to mention a lot of headaches. ”

**Brigham Wachal**  
Midwestern Mechanical



## Halo™ Drain Cast Iron No-Hub Connection

- Ductile iron base adapter and head. 2" or 3" no-hub connection
- Nickel-bronze or stainless steel ring and strainer - round or square pattern.



## Halo™ Cleanout Sch. 40 Hub Connection

- ABS or PVC connection. Outlet welds over 2" and inside 3" or over 3" and inside 4"
- Nickel-bronze or stainless steel ring and cleanout cover - round or square pattern.
- Includes mechanical test plug to seal out sewer gases



## Halo™ Cleanout Cast Iron No-Hub Connection

- Ductile iron base adapter and head. 2" or 3" no-hub connection
- Nickel-bronze or stainless steel ring and cleanout cover - round or square pattern.
- Includes mechanical test plug to seal out sewer gases



# Halo™ Drains

Options: Add letter after dash in item number.

**M** Clamping collar kit

Options: Add suffix to end of item number.

**V** Vandal-resistant strainer screws

**B** Complies with BABAA<sup>1</sup>

**E** Extended Ring<sup>1</sup>

<sup>1</sup> Only available for round nickel bronze ring and strainer



822-F3DSR



822-2PNQ

## Buying Information

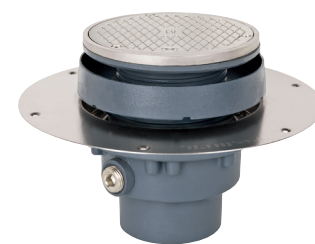
PVC ITEM NO	ABS ITEM NO	CAST IRON ITEM NO	RING & STRAINER	SCH. 40 CONNECTION <sup>2</sup>	NO-HUB CONNECTION	MIN. QTY.	CASE QTY.
<b>HALO DRAIN</b>							
822-2PNR	822-2ANR	822-2DNR	Round Nickel Bronze	2" x 3"	2"	1	4
822-2PSR	822-2ASR	822-2DSR	Round 304 Stainless	2" x 3"	2"	1	4
822-2PS	822-2AS	-	Round 18-ga. Stainless	2" x 3"	-	1	4
822-2PNQ	822-2ANQ	822-2DNQ	Square Nickel Bronze	2" x 3"	2"	1	4
822-2PSQ	822-2ASQ	822-2DSQ	Square 304 Stainless	2" x 3"	2"	1	4
822-3PNR	822-3ANR	822-3DNR	Round Nickel Bronze	3" x 4"	3"	1	4
822-3PSR	822-3ASR	822-3DSR	Round 304 Stainless	3" x 4"	3"	1	4
822-3PS	822-3AS	-	Round 18-ga. Stainless	3" x 4"	-	1	4
822-3PNQ	822-3ANQ	822-3DNQ	Square Nickel Bronze	3" x 4"	3"	1	4
822-3PSQ	822-3ASQ	822-3DSQ	Square 304 Stainless	3" x 4"	3"	1	4
<b>FINISHLINE HALO ROUGH-IN DRAIN</b>							
822-2PF	822-2AF	822-2DF	Coring Plug	2" x 3"	2"	1	4
822-3PF	822-3AF	822-3DF	Coring Plug	3" x 4"	3"	1	4
<b>FINISHLINE HALO DRAIN FINISH FIXTURE</b>							
832-3HNR		832-3DHNR	Round Nickel Bronze	-	-	1	10
832-3HSR		832-3DHSR	Round 304 Stainless	-	-	1	10
832-3HNQ		832-3DHNQ	Square Nickel Bronze	-	-	1	10
832-3HSQ		832-3DHSQ	Square 304 Stainless	-	-	1	1
<b>FINISHLINE HALO COMPLETE ASSEMBLY</b>							
822-F2PNR	822-F2ANR	822-F2DNR	Round Nickel Bronze	2" x 3"	2"	1	1
822-F2PSR	822-F2ASR	822-F2DSR	Round 304 Stainless	2" x 3"	2"	1	1
822-F2PNQ	822-F2ANQ	822-F2DNQ	Square Nickel Bronze	2" x 3"	2"	1	1
822-F2PSQ	822-F2ASQ	822-F2DSQ	Square 304 Stainless	2" x 3"	2"	1	1
822-F3PNR	822-F3ANR	822-F3DNR	Round Nickel Bronze	3" x 4"	3"	1	1
822-F3PSR	822-F3ASR	822-F3DSR	Round 304 Stainless	3" x 4"	3"	1	1
822-F3PNQ	822-F3ANQ	822-F3DNQ	Square Nickel Bronze	3" x 4"	3"	1	1
822-F3PSQ	822-F3ASQ	822-F3DSQ	Square 304 Stainless	3" x 4"	3"	1	1
<b>ACCESSORIES</b>							
832-S3	Shim Kit for FinishLine Halo: Two Shims, Two 3/4" Screws					1	10
832-3HHD	Hub Drain Finish Fixture for FinishLine Halo - threads into Coring Sleeve					1	10
832-3HS	Finish Fixture for FinishLine Halo: Round 18-ga. stainless steel strainer					1	10
832-EPS3	Extended ABS Coring Sleeve & Plug: Threads into Halo body, use with FinishLine Finish Fixtures					1	1
822-EX3	Cast Iron Extension Adapter: Fits between Halo head or FinishLine Coring Sleeve and Halo body					1	1
822-TB	ABS Thread Bushing for Halo Head					1	1
832-EX3	Cast Iron Extension Adapter: Fits between FinishLine Finish Fixture and Coring Sleeve					1	1
863-FA	Round Aluminum Condensate Funnel W/ Screws					1	5
863-FN	Round Nickel Bronze Condensate Funnel W/ Screws					1	5

# Halo™ Cleanouts

Options: Add letter suffix.  
**V** Vandal-resistant cover screws  
**S** Stamping: specify letters  
**C** Carpet marker



822-C3PNQ



822-CF3DSR

» Buying Information							
PVC ITEM NO	ABS ITEM NO	CAST IRON ITEM NO	RING & COVER	SCH. 40 CONNECTION	NO-HUB CONNECTION	MIN. QTY.	CASE QTY.
<b>HALO CLEANOUT</b>							
822-C3PNR	822-C3ANR	822-C3DNR	Round Nickel Bronze	3" hub	3"	1	4
822-C3PSR	822-C3ASR	822-C3DSR	Round 304 Stainless	3" hub	3"	1	4
822-C3PNQ	822-C3ANQ	822-C3DNQ	Square Nickel Bronze	3" hub	3"	1	1
822-C3PSQ	822-C3ASQ	822-C3DSQ	Square 304 Stainless	3" hub	3"	1	1
822-C4PNR	822-C4ANR	-	Round Nickel Bronze	inside 4" pipe <sup>2</sup>	-	1	1
822-C4PSR	822-C4ASR	-	Round 304 Stainless	inside 4" pipe <sup>2</sup>	-	1	4
822-C4PNQ	822-C4ANQ	-	Square Nickel Bronze	inside 4" pipe <sup>2</sup>	-	1	1
822-C4PSQ	822-C4ASQ	-	Square 304 Stainless	inside 4" pipe <sup>2</sup>	-	1	1
<b>FINISHLINE HALO ROUGH-IN CLEANOUT</b>							
822-C3PF	822-C3AF	822-C3DF	Coring Plug	3" hub	3"	1	1
<b>FINISHLINE HALO CLEANOUT FINISH FIXTURE</b>							
834-3HNR	834-3DHR	834-3DHR	Round Nickel Bronze	-	-	1	1
834-3HSR	834-3DHR	834-3DHR	Round 304 Stainless	-	-	1	1
834-3HNQ	834-3DHR	834-3DHR	Square Nickel Bronze	-	-	1	1
834-3HSQ	834-3DHR	834-3DHR	Square 304 Stainless	-	-	1	1
<b>FINISHLINE HALO CLEANOUT COMPLETE ASSEMBLY</b>							
822-CF3PNR	822-CF3ANR	822-CF3DNR	Round Nickel Bronze	3" hub	3"	1	1
822-CF3PSR	822-CF3ASR	822-CF3DSR	Round 304 Stainless	3" hub	3"	1	1
822-CF3PNQ	822-CF3ANQ	822-CF3DNQ	Square Nickel Bronze	3" hub	3"	1	1
822-CF3PSQ	822-CF3ASQ	822-CF3DSQ	Square 304 Stainless	3" hub	3"	1	1
<b>ACCESSORIES</b>							
832-S3	Shim Kit for FinishLine Halo: Two Shims, Two 3/4" Screws					1	10
832-EPS3	Extended ABS Coring Sleeve & Plug: Threads into Halo body, use with FinishLine Finish Fixtures					1	1
822-EX3	Cast Iron Extension Adapter: Fits between Halo head or FinishLine Coring Sleeve and Halo body					1	1
822-TB	ABS Thread Bushing for Halo Head					1	1
832-EX3	Cast Iron Extension Adapter: Fits between FinishLine Finish Fixture and Coring Sleeve					1	1

<sup>2</sup> The inside diameter of pipe can vary significantly. Inside pipe connection is designed to fit most, but may not fit all types/brands of pipe.

**TAKE THE FIELD.**