

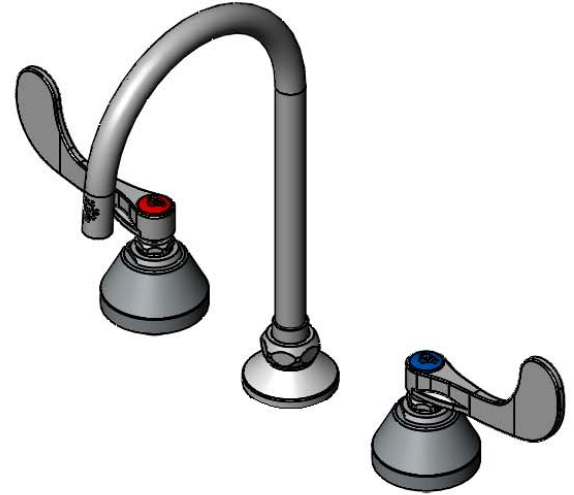
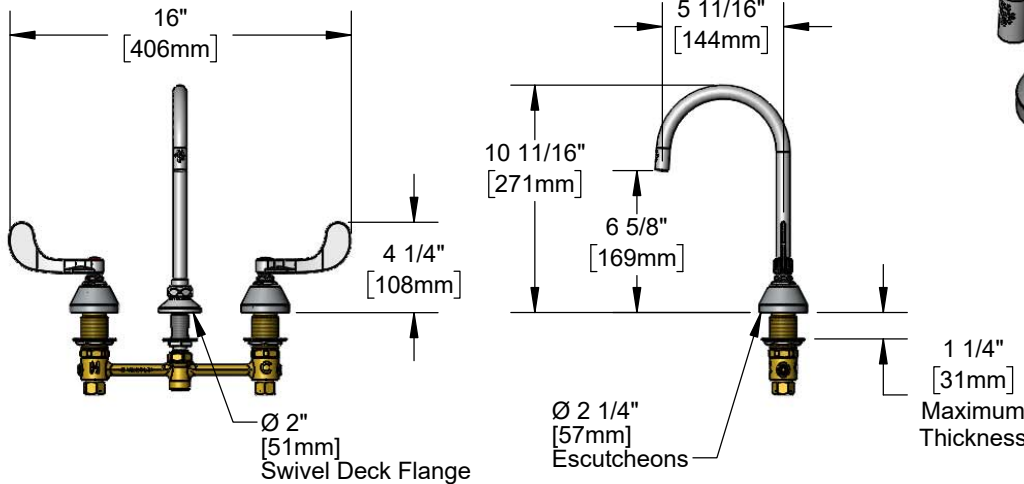


B-2866-05FC05 **EasyInstall** Concealed Widespread Lavatory Faucet

Architect/Engineering Specifications:

8" concealed deck mount mixing faucet with forged brass body, swivel gooseneck with plain end outlet, compression cartridges with spring checks, 0.5 GPM flow control, 4" wrist action handles, chrome plated escutcheons and 1/2" NPT male inlets with coupling nuts. Certified to ASME A112.18.1/CSA B125.1, NSF 61-Section 9 and NSF 372. Meets ADA ANSI/ICC A117.1 requirements.

Job Name _____
 Model Specified _____ Quantity _____
 Variations Specified _____
 Date _____



Features & Benefits:

- 8" EasyInstall concealed deck mount mixing faucet w/ forged brass body
- 5 11/16" swivel gooseneck w/ plain end outlet and swivel-to-rigid washer to convert swivel gooseneck to rigid
- Quarter-turn Eterna compression cartridges w/ spring checks to prevent cross flow of water
- 0.5 GPM flow control (pre-installed in gooseneck swivel)
- 4" wrist action handles w/ color coded indexes
- 1/2" NPT male inlets w/ coupling nuts
- Material: Forged brass body, polished chrome plated brass tubular spout and chrome plated metal handles & escutcheons

Product Compliance:

- ASME A112.18.1 / CSA B125.1
- NSF 61 - Section 9
- NSF 372 (Low Lead Content)
- ANSI A117.1 (ADA)



Warranty: One Year (Limited)

Performance Data:

- Pressure: 20 - 125 psi
- Temperature: 40 °F - 140 °F
- Flow Rate: 0.5 GPM @ 60 psi



ADA Compliant

Optional Flow Disc

GPM	Model No	Optional Handles
0.5	Standard	<input type="checkbox"/> 4" Wrist Action (Standard)
1.0	<input type="checkbox"/> FD10	<input type="checkbox"/> Lever
1.2	<input type="checkbox"/> FD12	<input type="checkbox"/> 4-Arm
1.5	<input type="checkbox"/> FD15	
2.2	<input type="checkbox"/> FD22	

Optional Cartridges

- Quarter-Turn Cerama
- Eterna
- Quarter-Turn Eterna (Standard)
- Push Button Metering
- Pivot Action Metering
- Wrist Action Metering

