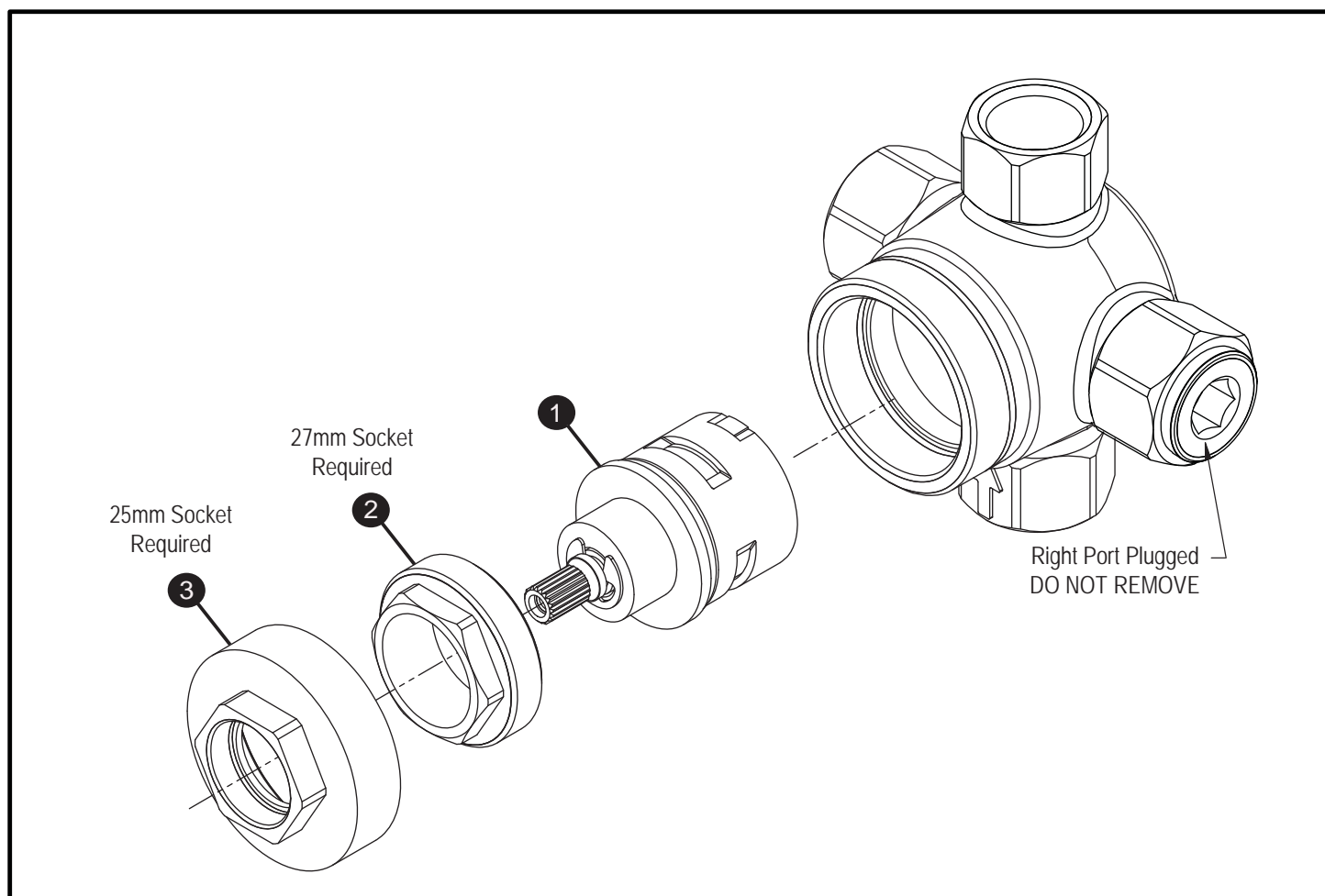


## Two-Way Diverter Valve without Off



Item	Part	Description
1	THP4898	Cartridge, Two-Way without Off
2	THP4801	Nut
3	THP4802	Cover