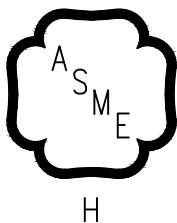


GHE™

Residential

- Condensing
- High Efficiency
- Direct Vent
- Gas-Fired
- Water Boiler



As an ENERGY STAR® Partner, New Yorker Boiler Co, Inc. has determined that the GHE™ Series meets the ENERGY STAR® guidelines for energy efficiency established by the United States Environmental Protection Agency (EPA).



TO THE INSTALLER:

Affix these instructions adjacent to boiler.

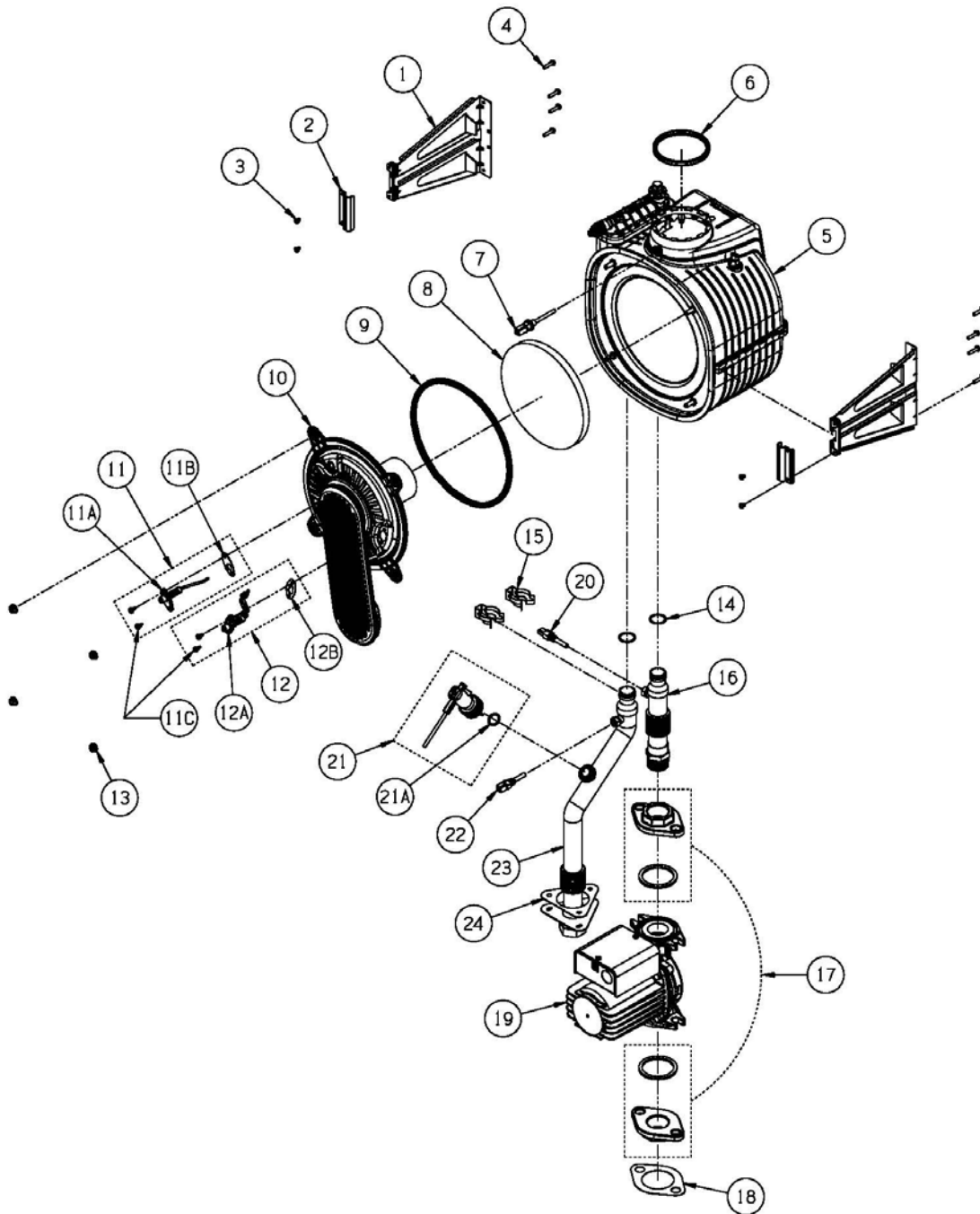
TO THE CONSUMER:

Retain these instructions for future reference.

WARNING: Improper installation, adjustment, alteration, service or maintenance can cause property damage, injury, or loss of life. For assistance or additional information, consult a qualified installer, service agency or the gas supplier. This boiler requires a special venting system. Read these instructions carefully before installing.

XV. Service Parts

All GHE™ Series Service Parts may be obtained through your local New Yorker Boiler Wholesale distributor. Should you require assistance in locating a New Yorker Boiler distributor in your area, or have questions regarding the availability of New Yorker Boiler Company products or service parts, please contact New Yorker Boiler Co., Inc. Customer Service at (215) 855-8055 or Fax (215) 855-8229 or at www.newyorkerboiler.com.



XV. Service Parts (continued)

Key No.	Description	Part Number				
		80	100	120	150	180
1	Fixing Clamp Bracket	Contact New Yorker Boiler Company; Provide boiler serial number				
2	Holding Clamp					
3	M4 x 7 Fixing Clamp Screw					
4	10 -32 x 1/2" Thread Cutting Screw					
5	Bare Heat Exchanger					
6	Flue Outlet Gasket	105882-01				
7	Flue Temperature Sensor	105883-01				
8	Rear Target Wall Insulation	105651-01				
9	Cold Burner Door Black Outer Gasket	106030-01				
10	Cold Burner Door Assembly	108300-01	108301-01	108302-01	108303-01	
11A, 11B, 11C	Flame Rod (includes flame rod, gasket and hardware)	105880-01				
12A, 12B, 12C	Ignition Electrode (includes electrode, gasket and hardware)	105881-02				
13	M6 Serrated Flange Hex Burner Door Nut	Obtain locally				
14, 15	O-Ring Repair Kit [includes (2) 22 mm x 2 mm O-rings and (2) connection clips]	105888-02				
16, 17, 18	Repair Return Piping Assembly (includes return piping assembly, 1" circulator flange and circulator flange gasket)	105889-01				
19	Boiler Circulator	Obtain locally				
20	Return Temperature Sensor	105910-01				
21	Flow Switch (includes flow switch with O-ring)	105892-01				
22	Repair Supply Temperature Sensor	105911-01				
23, 24	Repair Supply Piping Assembly (includes supply piping assembly and supply piping gasket and fasteners)	105890-01		105891-01		