



TOPAZ™ FIBERGLASS BATHTUBS

Features

- One piece precision molded from Mustee's premium VARISTONE™ fiberglass
- Apron supported by 2 molded brackets with structural bottom and sides
- Ergonomically contoured back with a 40° lumbar slope
- Proprietary finish creates a long lasting finish and scratch-resistant surface
- Slip-resistant bottom
- Suitable for use with all popular finished wall treatments
- Easy to clean

Code Accepted

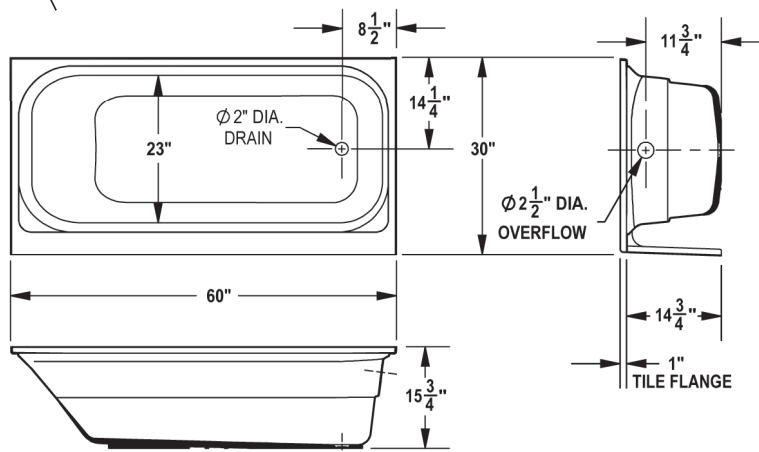
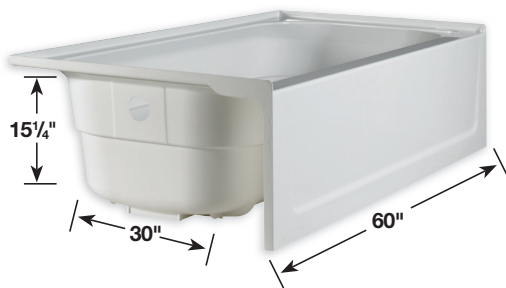
TOPAZ™ Bathtubs meet or exceed performance requirements:

- International Association of Plumbing and Mechanical Officials (IAPMO®) 
- American National Standards Institute (ANSI) – Specification Z 124-2017 



See Bathtub Walls: Pages 6-7

T6030 TOPAZ™ Fiberglass Bathtubs – 30" x 60"



Model	Color	Description
T6030L	White	30" x 60" Bathtub, Left hand drain
T6030LBN	Bone	30" x 60" Bathtub, Left hand drain
T6030LBT	Biscuit	30" x 60" Bathtub, Left hand drain
T6030R	White	30" x 60" Bathtub, Right hand drain
T6030RBN	Bone	30" x 60" Bathtub, Right hand drain
T6030RBT	Biscuit	30" x 60" Bathtub, Right hand drain

General: Furnish and install as shown on plans, E.L. Mustee & Sons, Inc. TOPAZ™ Fiberglass Bathtub 30" x 60" right or left-handed Model: _____. Construction shall be molded, reinforced fiberglass using matched metal molds under extreme heat and pressure. Shall meet ANSI Specification Z 124-2017. Color: _____ (White, Bone, Biscuit). Install in compliance with local codes.

TOPAZ™ Premium Fiberglass Tub/Shower 4-Piece Unit – Direct-To-Stud Mounted

TOPAZ™ Bathtub and Bathtub Wall Combos from E. L. Mustee & Sons, Inc. provide a 4-piece bath/shower solution. With unique features and hardy design, these models bring style and durability to your bathroom.

Features

- Produced from high-grade, reinforced, molded fiberglass for optimum strength and impact resistance
- Fits Topaz™ Bathtubs, as well as standard 30" x 60" bathtubs of others
- Three panel wall system with tongue-and-groove seams to create a watertight wall surround
- Mounts direct-to-stud with mounting flanges hidden behind drywall
- Smooth, colorfast semi-gloss finish, resists scuffs
- Mold and mildew-resistant...easy to clean

Model	Wall	Bathtub	Color	Size
660WHT	T6030L	White	White	30" x 60"
660WHT	T6030R	White	White	30" x 60"

Model 660 + T6030



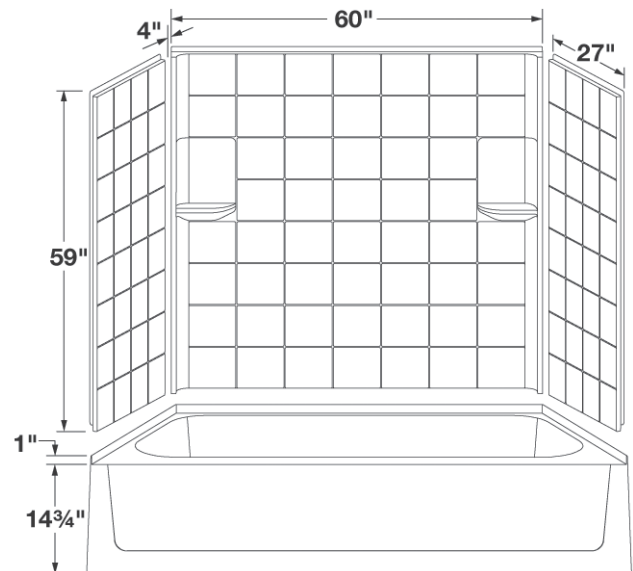
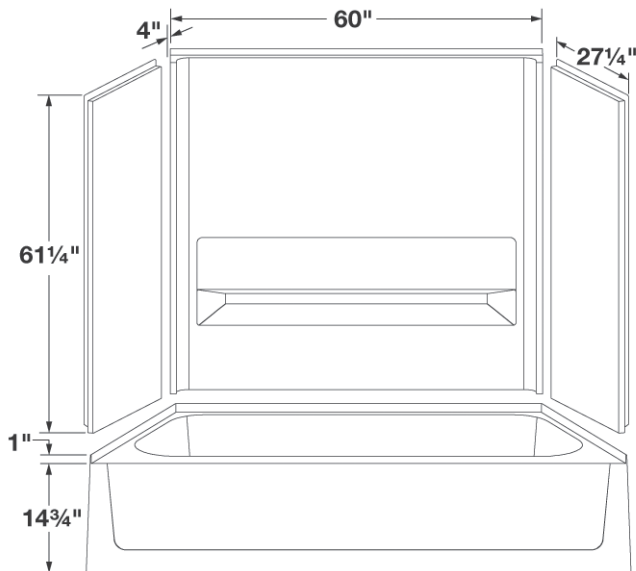
One large shelf.

Model	Wall	Bathtub	Color	Size
670WHT	T6030L	White	White	30" x 60"
670WHT	T6030R	White	White	30" x 60"

Model 670 + T6030



Two shelves. Tile pattern.



General: Furnish and install as shown on plans, E. L. Mustee & Sons, Inc. Tub/Shower TOPAZ™ Combination Units, semi-gloss, three piece fiberglass wall system and fiberglass bathtub 30" x 60" left for right-hand drain. Construction on units shall be modded, reinforced fiberglass using matched metal molds under extreme heat and pressure creating a uniform thickness. Shall meet ANSI Specification Z 124-2017. Color: White. Install in compliance with local codes.



VARISTONE™, TOPAZ™, DURAWALL®, BATHTUB WALLS & DURATRIM™ WINDOW KITS

E. L. Mustee & Sons, Inc. bathtub walls are designed with durability and style.

We have direct-to-stud bathtub walls systems to fit 30" x 60" bathtubs and 32" x 60" bathtubs. Select Mustee bathtub wall systems are also available for other bathtub sizes.

Code Accepted

VARISTONE™, TOPAZ™ and DURAWALL® Fiberglass Bathtub Walls meet or exceed performance requirements as indicated:

- American Society of Testing and Materials (ASTM) – E-84 
- American National Standards Institute (ANSI) – Specification Z 124-2017 
- CAN/ULC S102-07 Burn and Smoke Test

Common Features of the TOPAZ™ Bathtub Walls, Models 660 Series, 670WHT, 680WHT, 680-32WHT, & 680WHTBB



■ Panels with tongue-and-groove seams.



■ Reverse side of center panel has clips for securing to bathtub.



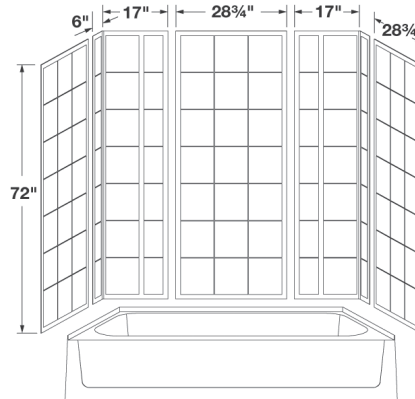
■ 1 1/4" flanges fasten direct-to-stud walls with screws, drywall conceals flanges.

572T VARISTONE™ Tall Premium Fiberglass Bathtub Walls – Adhesive Mount, Code Accepted



572T VARISTONE™ bathtub walls shown with T6030R bathtub, shower head and valve.

Mustee's VARISTONE™ premium fiberglass, Model 572T bathtub wall surround brings together a classic design, high quality finish and upscale embossed tile pattern across its expansive 72" tall walls.



Model Color

572TWH	White
572TBN	Bone

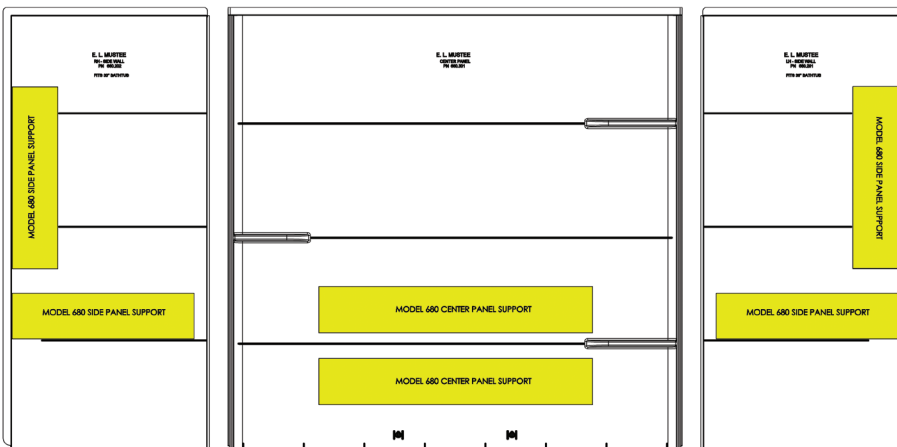
Fits Up to 60" Wide by 34" Deep

General: Furnish and install as shown on plans, fiberglass VARISTONE™ Bathtub Walls Model 572T as manufactured by E.L. Mustee & Sons, inc. Shall be semi-gloss, 5-piece wall system. Panels are molded using matched metal molds under extreme heat and pressure with a minimum thickness of 125 mils. Shall meet ANSI Specifications Z 124-2017 Colors: _____ (White, Bone)

680WHTBB TOPAZ™ Premium Fiberglass Bathtub Walls – Direct-To-Stud Mounted, with Baker Boards

NEW

680WHTBB – Model 680WHT with backer boards preinstalled at the factory for ADA applications. Inquire with us about quoted quantities. Yellow indicates placement of backer boards.



Features

- Compression molded fiberglass for strength
- Fits Topaz™ 30" x 60" Bathtubs and others
- Includes three self-draining selves molded
- Stylish tile pattern
- Three panel system with tongue-and-groove seams for a watertight surround
- Mounts direct-to-stud with mounting flanges hidden behind drywall
- Smooth, colorfast semi-gloss finish, resists scuffs
- Mold and mildew-resistant...easy to clean

Model Color

680WHTBB	White
----------	-------