



TOPAZ™ FIBERGLASS BATHTUBS

Features

- One piece precision molded from Mustee's premium VARISTONE™ fiberglass
- Apron supported by 2 molded brackets with structural bottom and sides
- Ergonomically contoured back with a 40° lumbar slope
- Proprietary finish creates a long lasting finish and scratch-resistant surface
- Slip-resistant bottom
- Suitable for use with all popular finished wall treatments
- Easy to clean

Code Accepted

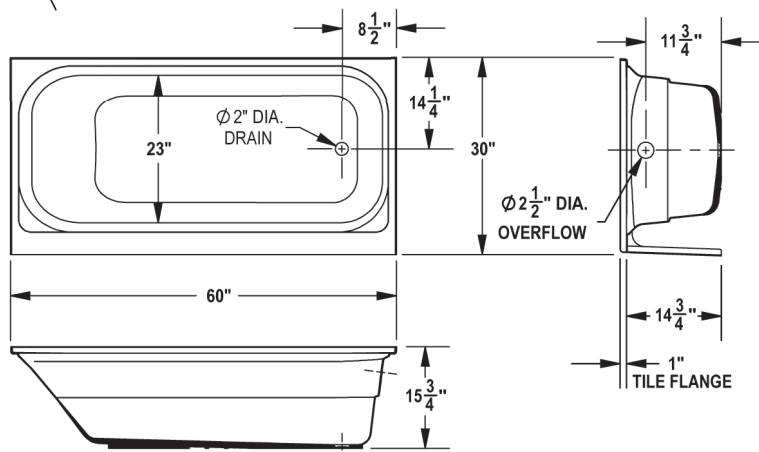
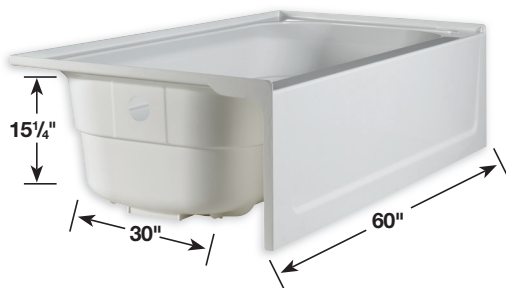
TOPAZ™ Bathtubs meet or exceed performance requirements:

- International Association of Plumbing and Mechanical Officials (IAPMO®) 
- American National Standards Institute (ANSI) – Specification Z 124-2017 



See Bathtub Walls: Pages 6-7

T6030 TOPAZ™ Fiberglass Bathtubs – 30" x 60"



Model	Color	Description
T6030L	White	30" x 60" Bathtub, Left hand drain
T6030LBN	Bone	30" x 60" Bathtub, Left hand drain
T6030LBT	Biscuit	30" x 60" Bathtub, Left hand drain
T6030R	White	30" x 60" Bathtub, Right hand drain
T6030RBN	Bone	30" x 60" Bathtub, Right hand drain
T6030RBT	Biscuit	30" x 60" Bathtub, Right hand drain

General: Furnish and install as shown on plans, E.L. Mustee & Sons, Inc. TOPAZ™ Fiberglass Bathtub 30" x 60" right or left-handed Model: _____. Construction shall be molded, reinforced fiberglass using matched metal molds under extreme heat and pressure. Shall meet ANSI Specification Z 124-2017. Color: _____ (White, Bone, Biscuit). Install in compliance with local codes.

TOPAZ™ Premium Fiberglass Tub/Shower 4-Piece Unit – Direct-To-Stud Mounted

TOPAZ™ Bathtub and Bathtub Wall Combos from E. L. Mustee & Sons, Inc. provide a 4-piece bath/shower solution. With unique features and hardy design, these models bring style and durability to your bathroom.

Features

- Produced from high-grade, reinforced, molded fiberglass for optimum strength and impact resistance
- Fits Topaz™ Bathtubs, as well as standard 30" x 60" bathtubs of others
- Three panel wall system with tongue-and-groove seams to create a watertight wall surround
- Mounts direct-to-stud with mounting flanges hidden behind drywall
- Smooth, colorfast semi-gloss finish, resists scuffs
- Mold and mildew-resistant...easy to clean

Model	Wall	Bathtub	Color	Size
660WHT	T6030L	White	White	30" x 60"
660WHT	T6030R	White	White	30" x 60"

Model 660 + T6030



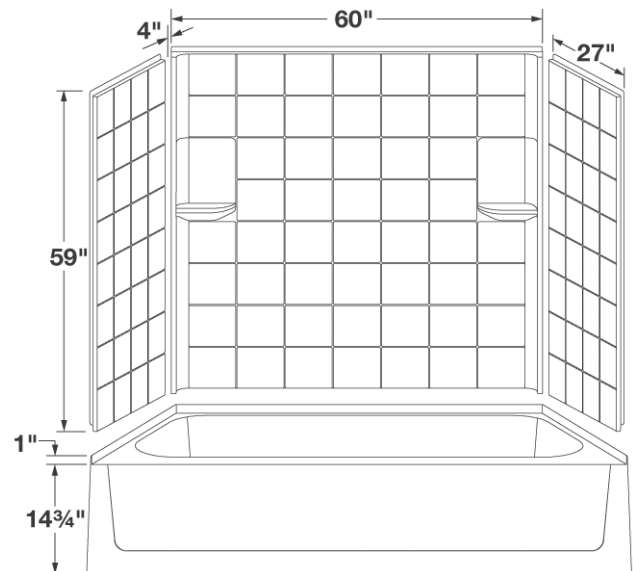
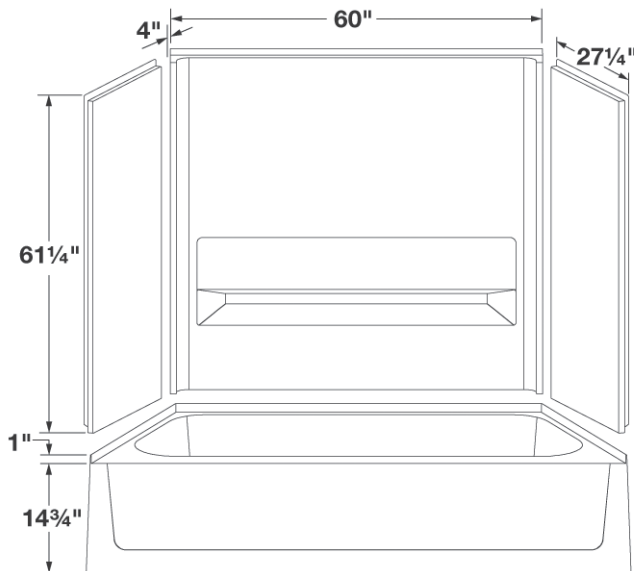
One large shelf.

Model	Wall	Bathtub	Color	Size
670WHT	T6030L	White	White	30" x 60"
670WHT	T6030R	White	White	30" x 60"

Model 670 + T6030



Two shelves. Tile pattern.



General: Furnish and install as shown on plans, E. L. Mustee & Sons, Inc. Tub/Shower TOPAZ™ Combination Units, semi-gloss, three piece fiberglass wall system and fiberglass bathtub 30" x 60" left for right-hand drain. Construction on units shall be modded, reinforced fiberglass using matched metal molds under extreme heat and pressure creating a uniform thickness. Shall meet ANSI Specification Z 124-2017. Color: White. Install in compliance with local codes.