

Rubix 6032

Model number:

105705

Dimensions: 60" x 32" x 18"

Installation: Alcove

Material: Acrylic



Standard Features:

- Rectangular shape bathtub in alcove installation
- Available in Above-the-Floor Rough (AFR) or not
- Right or left-hand drain
- Cubic design
- Integrated flat skirt and integrated tiling flange

Product characteristics:

- Elegant design
- Integrated Tiling Flange and Skirt
- Maximized Bathing Well

Warranty:

25 Years

Standard colors:



White (001)



Bone (004)



Biscuit (007)

Certifications

MAAX products adhere to one or more of the following certifications:



Recommended products (Visit our website for a complete list of our recommended doors)

No	Description
139398	Halo Sliding Tub Door 56 ½-59 x 59 in. 8 mm
105409	Mika Sliding Tub Door 54 - 59 ½ x 55 in.
134661	Kameleon SC Sliding Tub Door 55-59 x 57 in. 6 mm

Options (Visit our website for a complete list of our options)

No	Description
<input type="checkbox"/> OPT 20137	Cable-operated waste and overflow

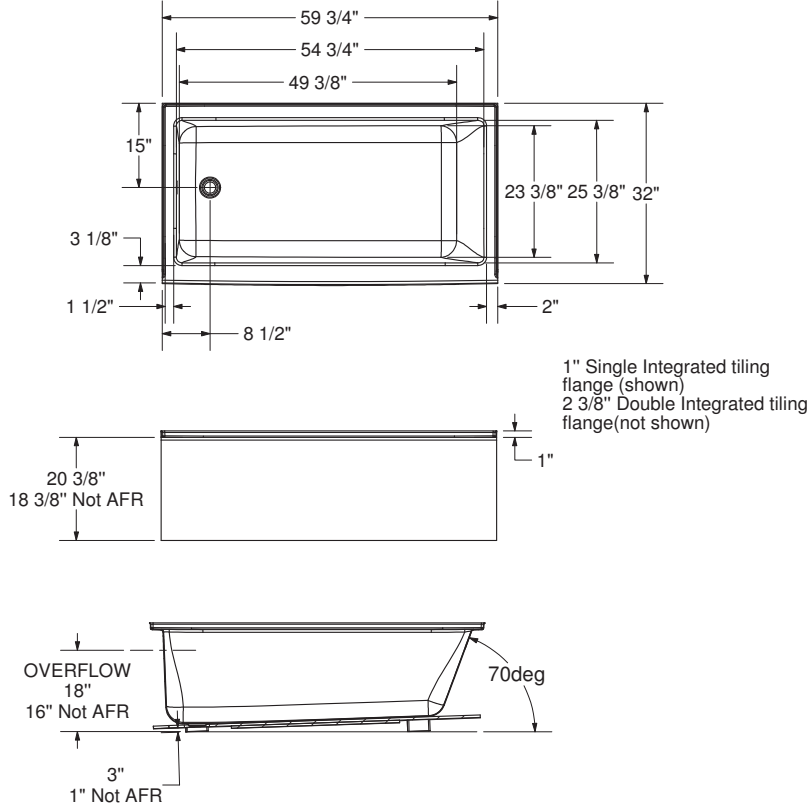
Rubix 6032

Model number: 105705

Dimensions: 60" x 32" x 18"

Installation: Alcove

Material: Acrylic



Dimensions:

59 3/4 x 32 x 18 3/8 in.
(1518 x 813 x 467 mm)

Water capacity:

59 gallons - 223 liters

Weight:

80 lbs - 36.28 kg

Bathing well:

54 3/4 X 25 3/8 in.
(1391 X 645 mm)

Deep sump height:

16 3/4 in. - 425 mm

Deck width:

3 1/8 in. - 79 mm

Drain location:

Left

Right

Wood support design may vary.
Single Integrated tiling flange: 1" height x 1/4" thickness (shown)
All dimensions are approximate. Structure measurements must be verified against the unit to ensure proper fit.

Project: _____

Contractor: _____

Representative: _____

Date: _____

Tel: _____

Notes: _____
