

Rubix 6030

Model number:

105815

Dimensions: 60" x 30" x 18"

Installation: Alcove

Material: Acrylic



Standard Features:

- Rectangular shape bathtub in alcove installation
- Available in Above-the-Floor Rough (AFR) or not
- Right or left-hand drain
- Cubic design
- Integrated flat skirt and tiling flange

Product characteristics:

- Maximized Bathing Well
- Integrated Tiling Flange and Skirt
- Utile Compatible

Warranty:

25 Years

Standard colors:



White (001)



Bone (004)



Biscuit (007)

Certifications

MAAX products adhere to one or more of the following certifications:



Recommended products (Visit our website for a complete list of our recommended doors)

No	Description
139398	Halo Sliding Tub Door 56 ½-59 x 59 in. 8 mm
105409	Mika Sliding Tub Door 54 - 59 ½ x 55 in.
134661	Kameleon SC Sliding Tub Door 55-59 x 57 in. 6 mm

Options (Visit our website for a complete list of our options)

No	Description
<input type="checkbox"/> OPT 20137	Cable-operated waste and overflow

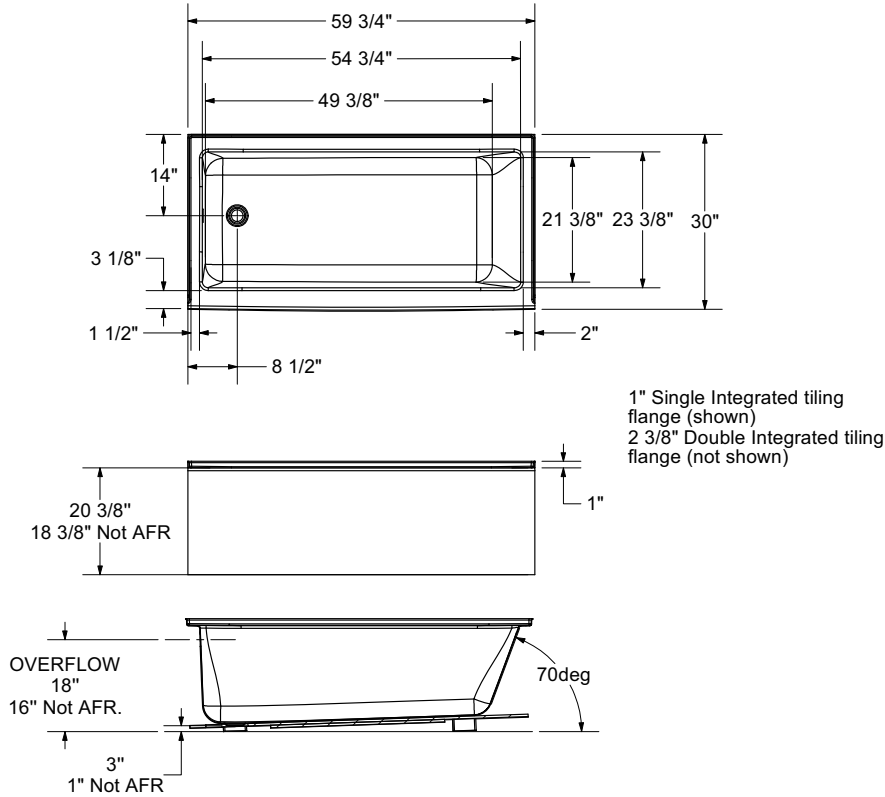
Rubix 6030

Model number: 105815

Dimensions: 60" x 30" x 18"

Installation: Alcove

Material: Acrylic



Dimensions:

59 3/4 x 30 x 18 3/8 in.
 (1518 x 762 x 467 mm)

Water capacity:

54 gallons - 205 liters

Weight:

77 lbs - 34.92 kg

Bathing well:

54 3/4 X 23 3/8 in.
 (1391 X 594 mm)

Deep sump height:

16 3/4 in. - 425 mm

Deck width:

3 1/8 in. - 79 mm

Drain location:

Left

Right

Wood support design may vary.
 Single Integrated tiling flange: 1" height x 1/4" thickness (shown)
 Double Integrated tiling flange: 2 3/8" height (not shown)
 All dimensions are approximate. Structure measurements must be verified against the unit to ensure proper fit.

Project:

Contractor:

Representative:

Date:

Tel:

Notes: