

Exhibit 6036 IFS

Model number:

106172

Dimensions: 60" x 36" x 18"

Installation: Alcove

Material: Acrylic



Standard Features:

- Rectangular shape bathtub in alcove installation
- Available in Above-the-Floor Rough (AFR) or not
- Minimalist look with discreet armrests and textured floor
- Integrated tiling flange
- Integrated skirt with access panel when equipped with a system

Product characteristics:

- Integrated Armrest
- Integrated Tiling Flange and Skirt
- Textured Floor

Systems:

- Whirlpool
- Combined Whirlpool/Aeroeffect
- Aeroeffect

Warranty:

25 Years

Standard colors:



Certifications

MAAX products adhere to one or more of the following certifications:



Recommended products (Visit our website for a complete list of our recommended doors)

No	Description
139398	Halo Sliding Tub Door 56 ½-59 x 59 in. 8 mm
105409	Mika Sliding Tub Door 54 - 59 ½ x 55 in.
134661	Kameleon SC Sliding Tub Door 55-59 x 57 in. 6 mm

Options (Visit our website for a complete list of our options)

No	Description
<input type="checkbox"/> OPT 10019	Removable access panel
<input type="checkbox"/> OPT 10053	Chromatherapy
<input type="checkbox"/> OPT 10095	Water heater assembly
<input type="checkbox"/> OPT 10106	Metal trim kit for whirlpool and combined systems
<input type="checkbox"/> OPT 20029	Metal trim kit for Air Push Control

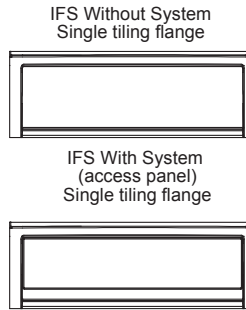
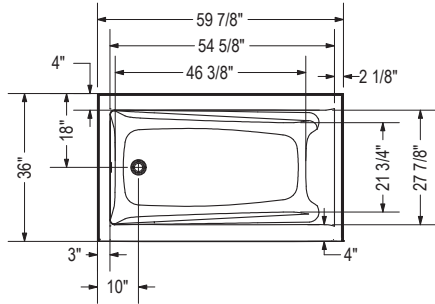
Exhibit 6036 IFS

Model number: 106172

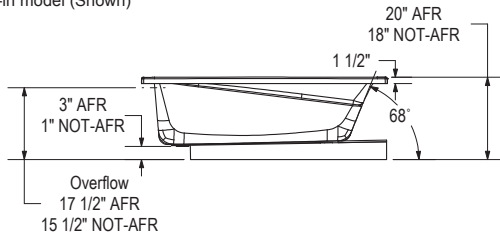
Dimensions: 60" x 36" x 18"

Installation: Alcove

Material: Acrylic



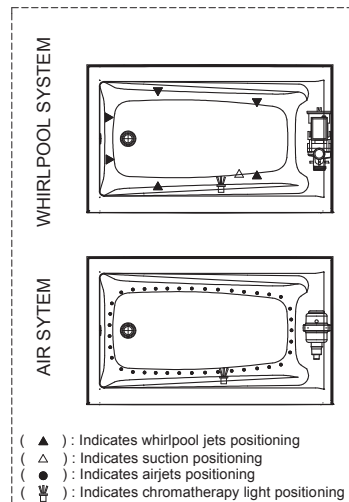
1" Single integrated tiling flange (not shown)
Drop-in model (Shown)



Technical drawing is universal for all Exhibit 6036 configurations.

Wood support design may vary.
Single integrated tiling flange: 1" height x 1/4" thickness (not shown)

All dimensions are approximate.
Structure measurement must be verified against the unit to ensure proper fit.



Dimensions:

59 7/8 x 36 x 18 in.
(1521 x 914 x 457 mm)

Water capacity:

56 gallons - 214 liters

Weight:

80 lbs - 36.28 kg

Bathing well:

54 5/8 X 27 7/8 in.
(1387 X 708 mm)

Deep sump height:

16 3/8 in. - 416 mm

Deck width:

4 in. - 102 mm

Drain location:

Left

Right

Project: _____

Contractor: _____

Representative: _____

Date: _____

Tel: _____

Notes: _____