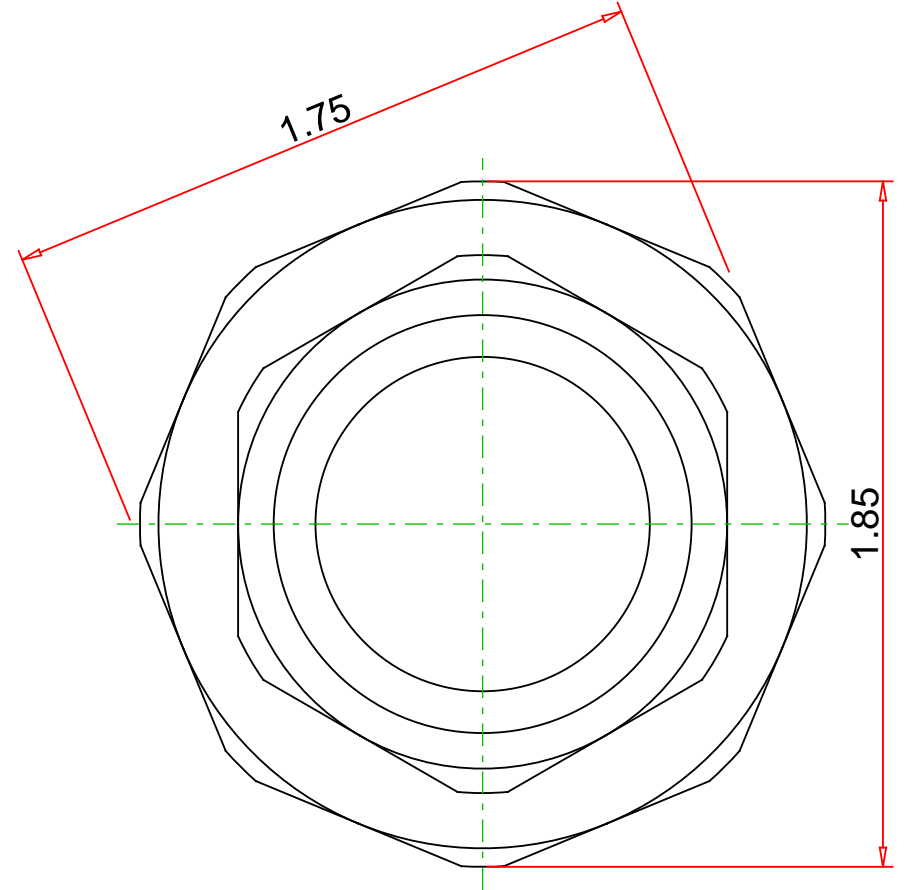
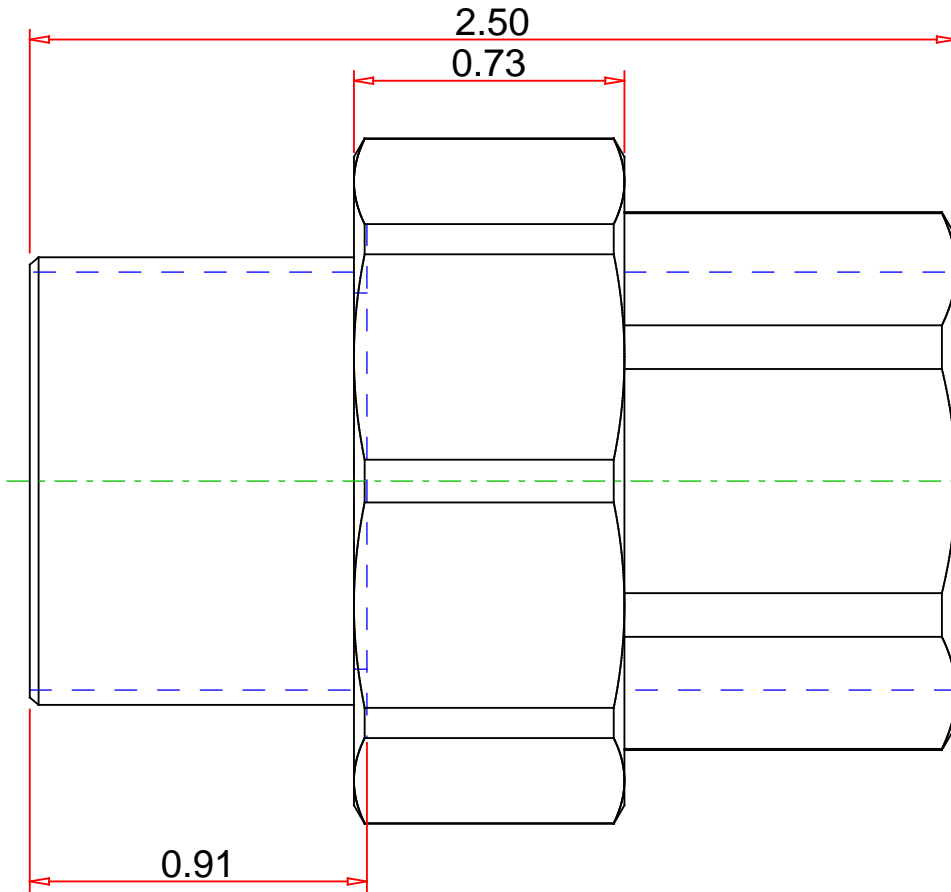


Approvals & Certifications

- Brass
- Conforms to:
- B16.18
- B1.20.1
- NSF 61-372



Note : - Drawing not to Scale

DISCLAIMER: DIMENSIONS ARE APPROXIMATE AND ARE SUBJECT TO CHANGE WITHOUT NOTICE. ALL ASME DIMS ARE MINIMUM UNLESS NOTED. LAY LENGTH DIMS ARE  $\pm 0.06$  ALL OTHER DIMS ARE NOMINAL. ALL DIMS ARE IN INCHES.

© 6-OCT-2022 Mueller Industries, Inc.

Part No. :

W 08005

Description :

Union, C x C, 1"



**Mueller Streamline Co.**

Address: 150 Schilling Blvd, Suite 201

Collierville, TN 38017

Phone: 901-751-7709

Email: [marketing@muellerstreamline.com](mailto:marketing@muellerstreamline.com)

Web: <https://www.muellerstreamline.com>