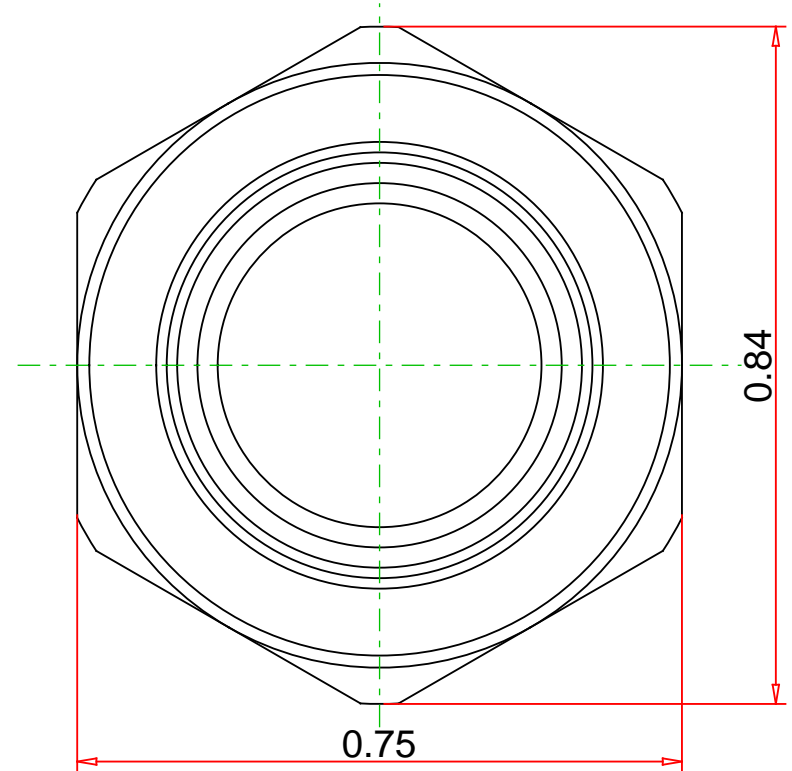
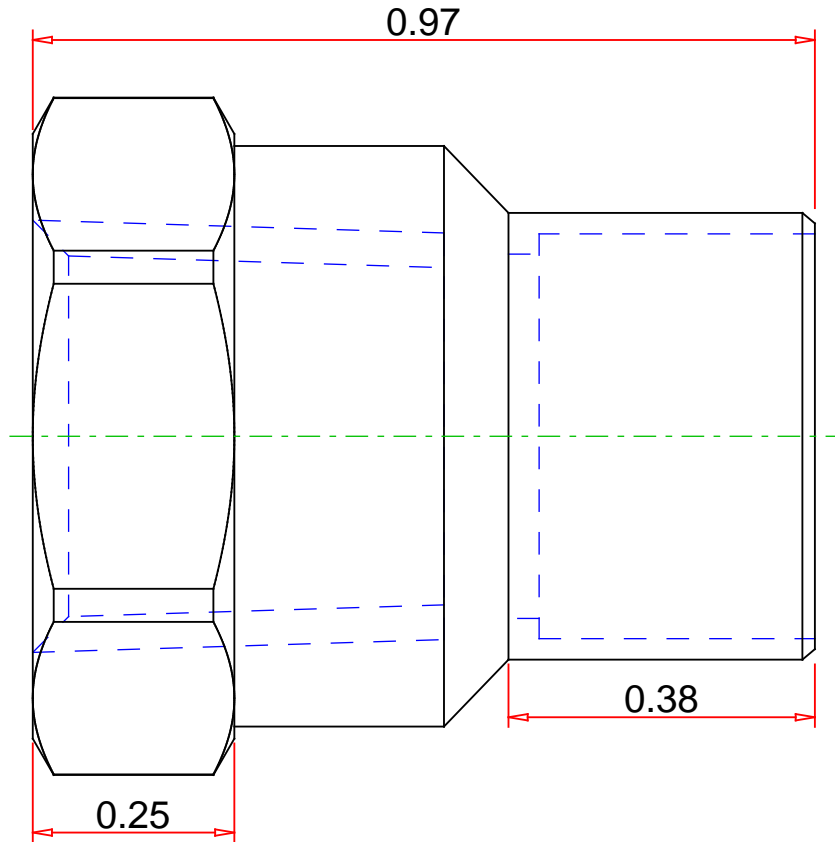


Approvals & Certifications

- Wrot Copper
- UNS C12200
- Conforms to NSF/ANSI 61 Annex G
- Conforms to ASME B16.22
- Conforms to ASME B1.20.1



Note : - Drawing not to Scale

DISCLAIMER: DIMENSIONS ARE APPROXIMATE AND ARE SUBJECT TO CHANGE WITHOUT NOTICE.
ALL ASME DIMS ARE MINIMUM. LAY LENGTH DIMS ARE ± 0.06
ALL OTHER DIMS ARE NOMINAL. ALL DIMS ARE IN INCHES.

© 6-JUN-2019 Mueller Industries, Inc.

Part No. :

W 01226

Description :

Adapter Female, C x FPT, 3/8" x 1/4"



Mueller Streamline Co.

Address : 8285 Tournament Dr., Suite 150
Memphis, TN 38125
Ph : 901-753-3200
Email : contact@muellerindustries.com
Web : <http://www.muellerindustries.com/>