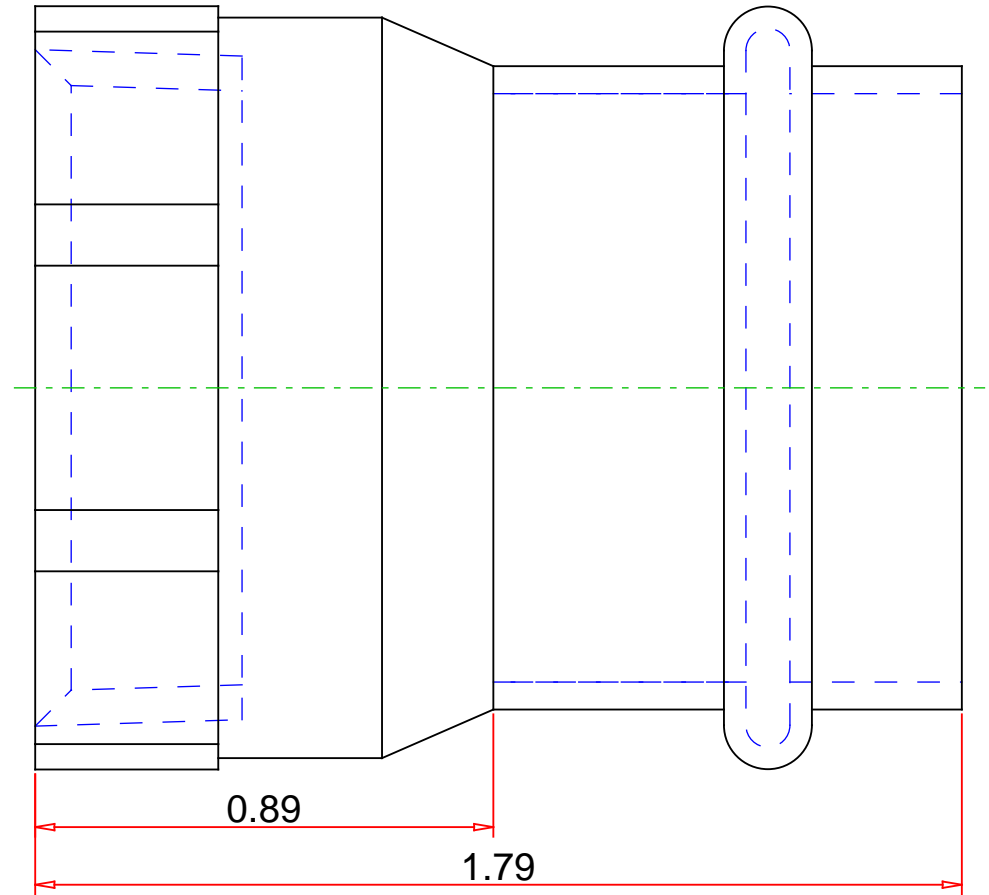
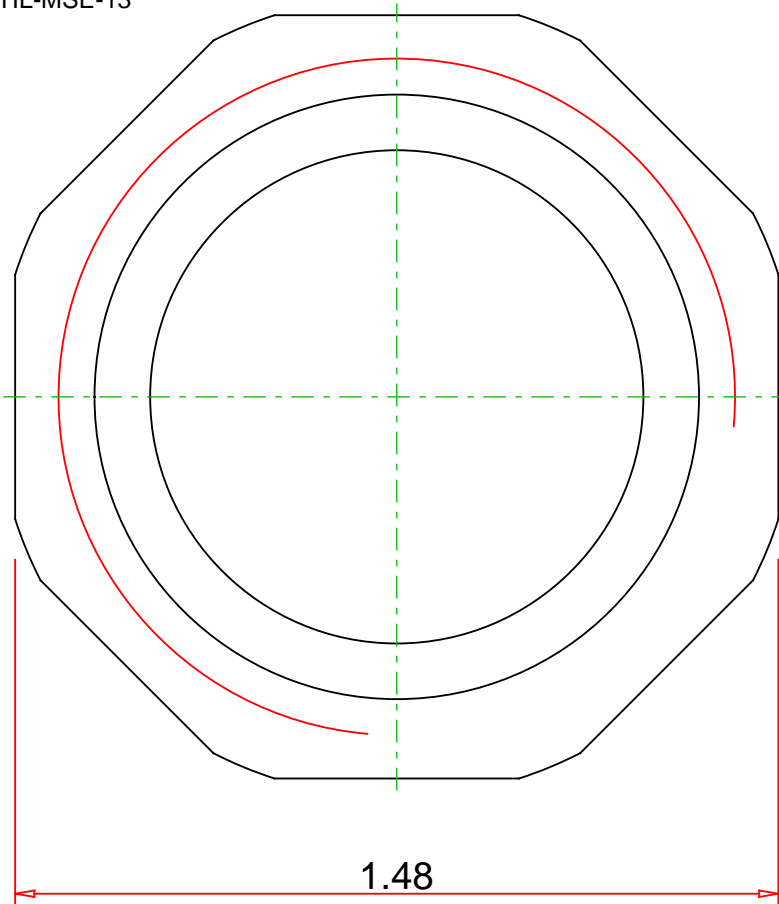


Approvals & Certifications

- ASME B16.51
- IAPMO PS-117
- NSF/ANSI 61
- NSF/ANSI 372
- CSA TIL-MSE-13



Note : - Drawing not to Scale

DISCLAIMER: DIMENSIONS ARE APPROXIMATE AND ARE SUBJECT TO CHANGE WITHOUT NOTICE.  
ALL ASME DIMS ARE MINIMUM. LAY LENGTH DIMS ARE  $\pm 0.06$   
ALL OTHER DIMS ARE NOMINAL. ALL DIMS ARE IN INCHES.

© 18-JUN-2019 Mueller Industries, Inc.

Part No. :

PF 01263

Description :

Copper Female Adapter, P x FPT, 1" x 1"



Mueller Streamline Co.

Address : 8285 Tournament Dr., Suite 150  
Memphis, TN 38125  
Ph : 901-753-3200  
Email : [contact@muellerindustries.com](mailto:contact@muellerindustries.com)  
Web : <http://www.muellerindustries.com/>