



### Mueller Streamline Co. Headquarters

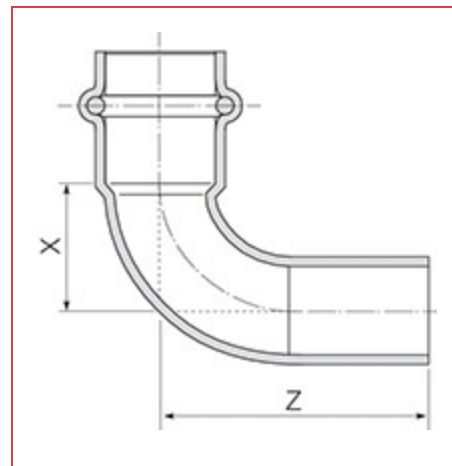
150 Schilling Blvd  
Suite 201  
Collierville, Tennessee 38017  
United States  
Phone: 901 753 3200

### Mueller Streamline Co. International

525 Okeechobee Blvd  
Suite 860  
West Palm Beach, FL 33401  
United States  
Phone: 561 273 8300

## ITEM # PF 01654, COPPER ELBOW 90° SR, P X FTG, 3/4" X 3/4"

Streamline® PRS™ Copper-Press Fittings is a flameless joining alternative for plumbing or mechanical applications. Available sizes ranging from 3/4" to 2" in diameter.



[Specifications](#) | [Dimensions](#) | [Details](#)

### Specifications

Weight	0.16 lb
Material	COPPER
Operating Temperature [Min]	-20 °F
Operating Temperature [Max]	250 °F
Operating Pressure [Max]	200 psi
End Type	Press

<b>End Size</b>	3/4
<b>Second End Type</b>	Fitting
<b>Second End Size</b>	3/4
<b>Standards</b>	ASME B16.51 IAPMO PS-117 NSF/ANSI 61 NSF/ANSI 372 CSA TIL-MSE-13

## Dimensions

<b>Overall Length</b>	2.09 in
<b>Overall Height</b>	2.62 in
<b>Overall Width</b>	1.22 in
<b>X</b>	0.75 in
<b>Z</b>	2.01 in

## Details

<b>Qty Pcs / Bag</b>	10
<b>Master Qty Pcs / Box</b>	150
<b>Mueller Description</b>	3/4 FTG X P SR 90 ELL