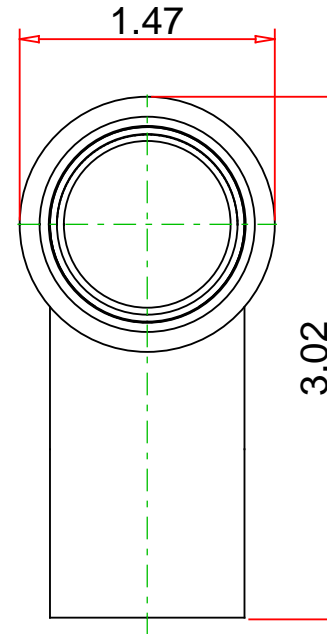
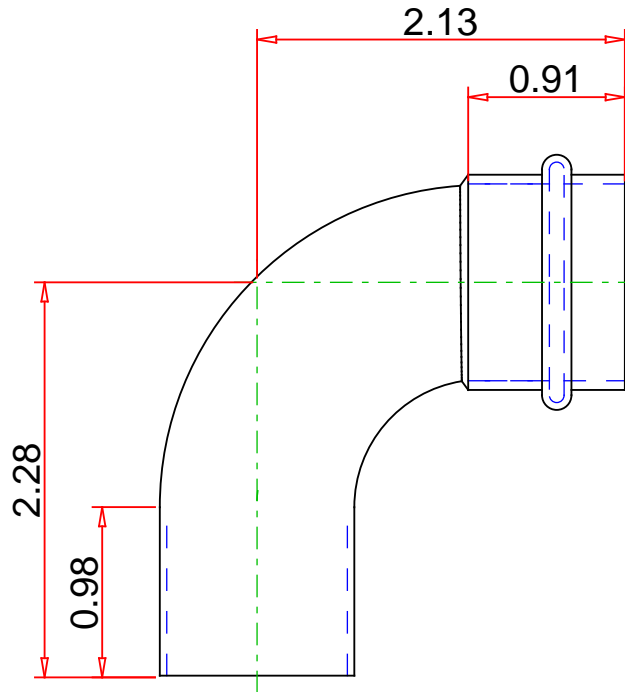
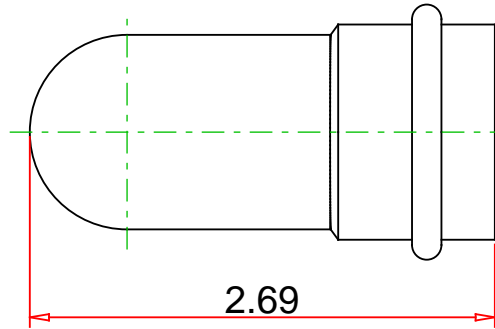


Approvals & Certifications

- ASME B16.51
- IAPMO PS-117
- NSF/ANSI 61
- NSF/ANSI 372
- CSA TIL-MSE-13



Note : - Drawing not to Scale

DISCLAIMER: DIMENSIONS ARE APPROXIMATE AND ARE SUBJECT TO CHANGE WITHOUT NOTICE.  
 ALL ASME DIMS ARE MINIMUM. LAY LENGTH DIMS ARE  $\pm 0.06$   
 ALL OTHER DIMS ARE NOMINAL. ALL DIMS ARE IN INCHES.

© 16-OCT-2020 Mueller Industries, Inc.

Part No. :

PF 02344

Description :

Copper Elbow 90° SR, P x FTG, 1" x 1"



**Mueller Streamline Co.**

Address: 150 Schilling Blvd, Suite 201

Collierville, TN 38017

Phone: 901-751-7709

Email: [marketing@muellerstreamline.com](mailto:marketing@muellerstreamline.com)

Web: <https://www.muellerstreamline.com>