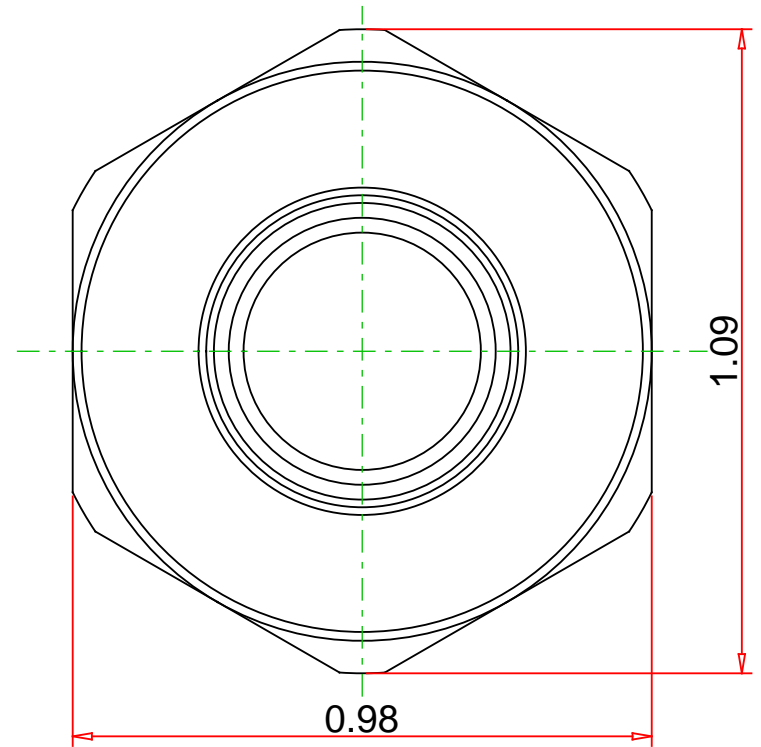
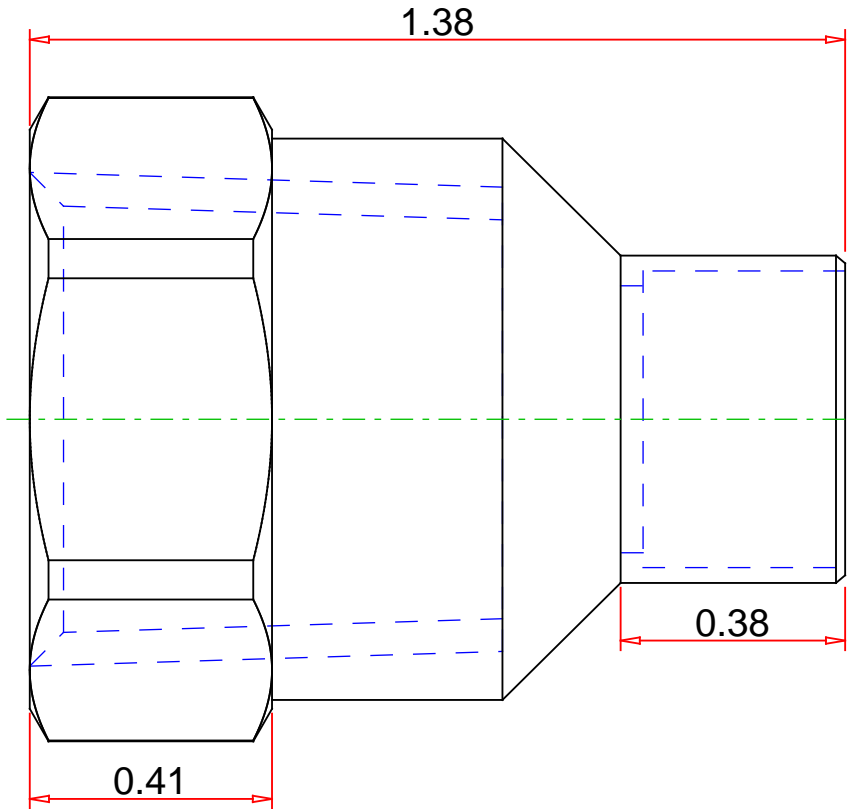


Approvals & Certifications

- Wrot Copper
- UNS C12200
- Conforms to NSF/ANSI 61 Annex G
- Conforms to ASME B16.22
- Conforms to ASME B1.20.1



Note : - Drawing not to Scale

DISCLAIMER: DIMENSIONS ARE APPROXIMATE AND ARE SUBJECT TO CHANGE WITHOUT NOTICE.
ALL ASME DIMS ARE MINIMUM. LAY LENGTH DIMS ARE ± 0.06
ALL OTHER DIMS ARE NOMINAL. ALL DIMS ARE IN INCHES.

© 17-OCT-2020 Mueller Industries, Inc.

Part No. :

W 01224

Description :

Adapter Female, C x FPT, 3/8" x 1/2"



Mueller Streamline Co.

Address: 150 Schilling Blvd, Suite 201

Collierville, TN 38017

Phone: 901-751-7709

Email: marketing@muellerstreamline.com

Web: <https://www.muellerstreamline.com>