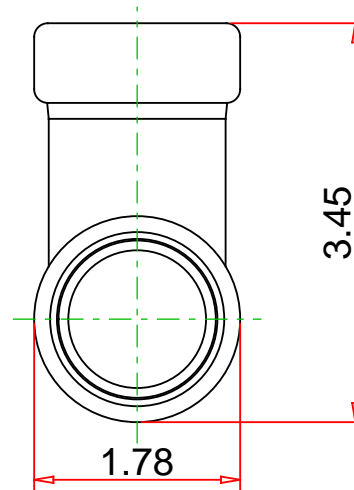
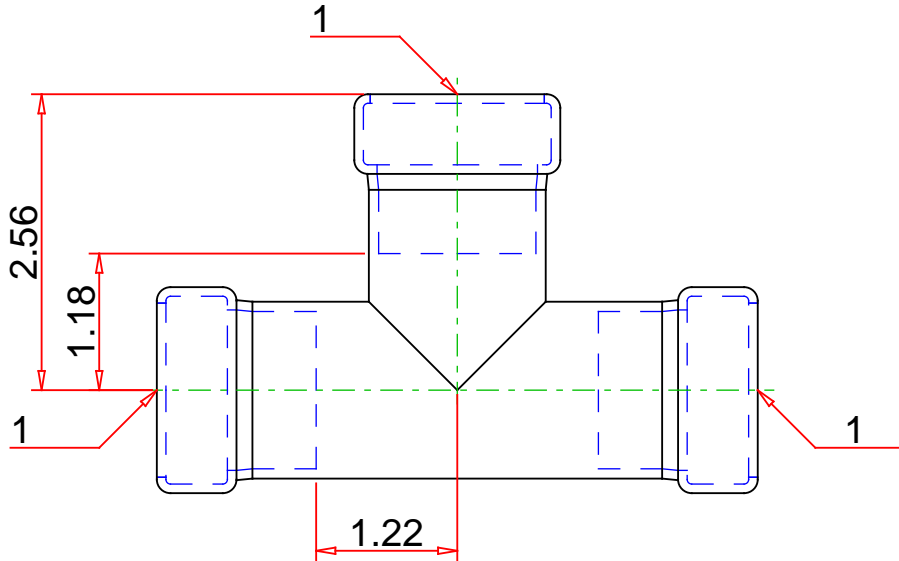
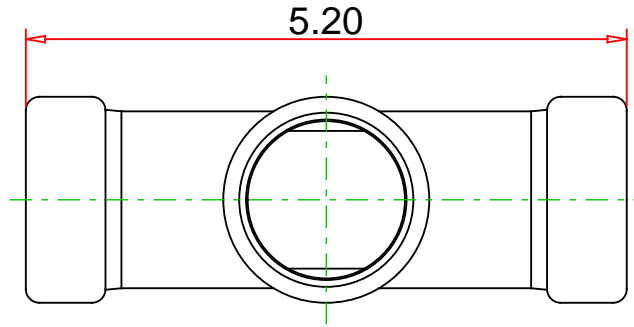


Approvals & Certifications

- ASTM A420
- ASME B16.3
- ANSI/CSA LC4a/CSA 6.32a



Note : - Drawing not to Scale

DISCLAIMER: DIMENSIONS ARE APPROXIMATE AND ARE SUBJECT TO CHANGE WITHOUT NOTICE. ALL ASME DIMS ARE MINIMUM UNLESS NOTED. LAY LENGTH DIMS ARE ± 0.06 ALL OTHER DIMS ARE NOMINAL. ALL DIMS ARE IN INCHES.

© 5-APR-2022 Mueller Industries, Inc.

Part No. :

CP04048G

Description :

Carbon Steel Tee, P x P x P, 1" x 1" x 1"



Mueller Streamline Co.

Address: 150 Schilling Blvd, Suite 201

Collierville, TN 38017

Phone: 901-751-7709

Email: marketing@muellerstreamline.com

Web: <https://www.muellerstreamline.com>