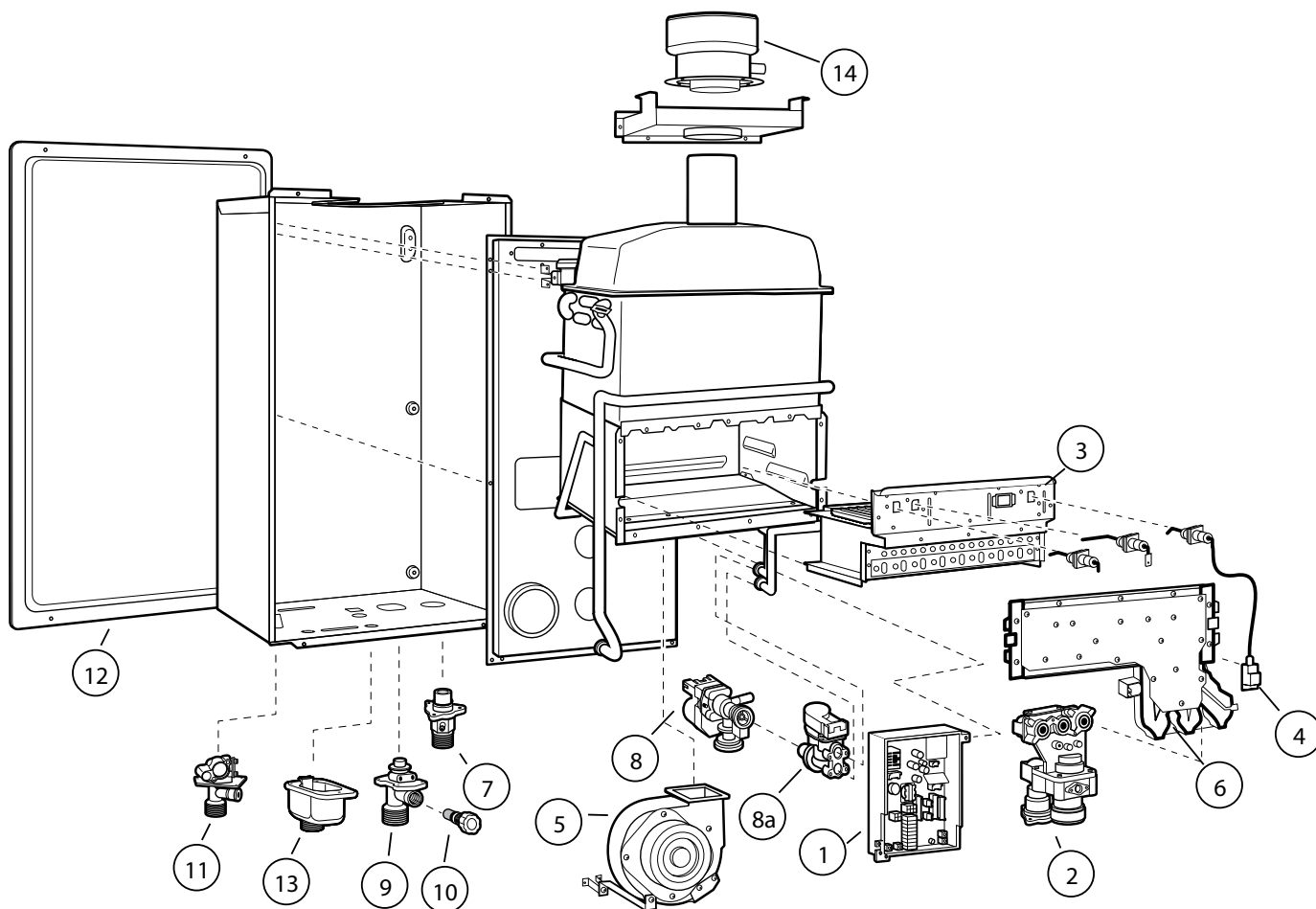


Parts for RTG-64, RTG-84, RTG-95, DV and DVL Series (out of production)



Program Chips

| Fuel Type | RTG-64DV | RTG-84DV | RTG-95DV | RTG-64DVL | RTG-84DVL | RTG-95DVL |
|-----------|-------------------|-------------------|------------------|------------------|------------------|------------------|
| Natural | RTG20212AV | RTG20212AL | RTG20212S | RTG20235N | RTG20235J | RTG20235E |
| Propane | RTG20212AW | RTG20212AM | RTG20212T | RTG20235P | RTG20235K | RTG20235F |

185°F Temperature Upgrade Kits - Commercial and Hydronic

| Fuel Type | RTG-64DV | RTG-84DV | RTG-95DV | RTG-64DVL | RTG-84DVL | RTG-95DVL |
|-----------|----------|------------------|------------------|-----------|------------------|------------------|
| Natural | — | RTG20216A | RTG20214A | — | RTG20237A | RTG20236A |
| Propane | — | RTG20216B | RTG20214B | — | RTG20237B | RTG20236B |