

Installation Manual

Viega ProPress® Stainless

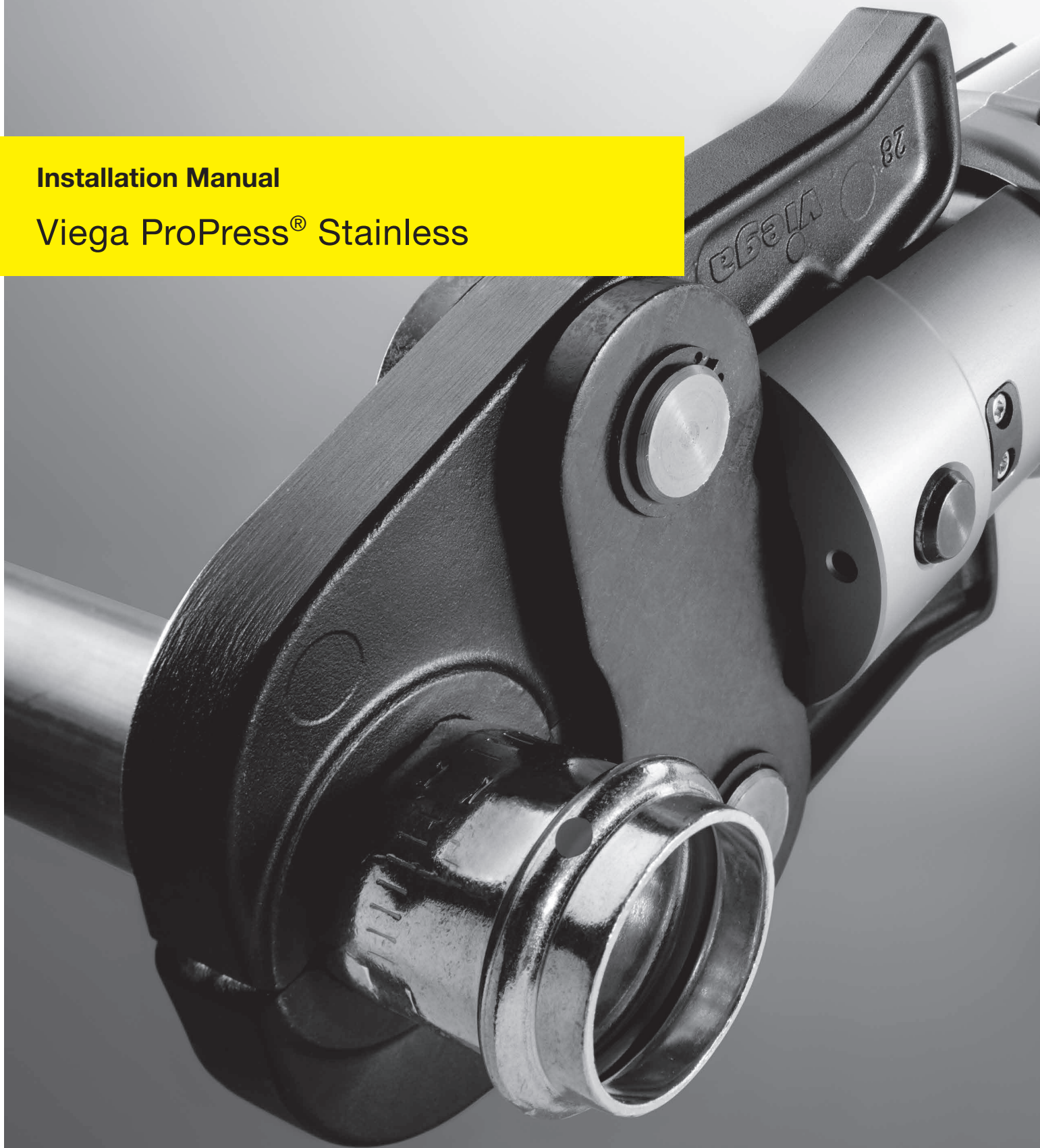


Table of Contents

1	About this Document	6
1.1	Disclaimer	6
1.2	Symbols Used	7
2	Product Information	8
2.1	ProPress 304 FKM and 316 Systems	8
2.2	Safety	8
2.3	Approved Applications	9
2.3.1	Commercial and Residential	11
2.3.2	Industrial and Plant Operations	11
2.3.3	Fire Protection Systems	11
2.3.4	Design Services	11
2.4	Product Description	12
2.4.1	Overview	12
2.4.2	Listing, Certifications, and/or Recognitions	12
2.4.3	Codes and Standards	12
2.4.4	Tubing	13
2.4.5	Press Fittings	13
2.4.5.1	Viega ProPress Stainless ½" to 2" Fittings	13
2.4.5.2	Viega ProPress Stainless 2½" to 4" Fittings	13
2.4.5.3	FKM Sealing Element	14
2.4.5.4	EPDM Sealing Element	14
2.4.5.5	Cylindrical Guides	14
2.4.5.6	Fitting Markings	15
2.4.5.7	Viega Smart Connect Technology	16
2.4.6	Marking on Tubing	16
2.5	General Installation Requirements	17
2.5.1	Required Tools	17
2.5.2	Expansion	17
2.5.3	Electrical Bonding	18
2.5.4	Exposure to Freezing Temperatures	18
2.5.5	Underground Installations	18
2.5.6	Concealed Spaces	19
2.5.7	Corrosion Protection	19
2.5.7.1	Mixed Installations	19
2.5.8	Pressure Surges	19
2.5.9	Rotating a Pressed Fitting	20
2.5.10	Deflection	20
2.5.10.1	Controlling Deflection	20
2.6	ProPress Stainless Flow Data	21
2.6.1	Flow Rate, Velocity, and Friction Loss (Water)	22
2.6.2	Fitting Friction Loss	31
2.6.3	Maximum Span/Minimum Rod Diameter	31

Table of Contents, continued

3	Handling Instructions	32
3.1	Transport	32
3.2	Storage	32
4	Installation Instructions	33
4.1	Check System Components	33
4.1.1	Changing the Sealing Element	33
4.1.1.1	1/2" to 2" Fittings	33
4.1.1.2	2 1/2" to 4" Fittings	34
4.2	Installing and Mounting the Tube	36
4.2.1	Pipe Hangers and Supports	36
4.3	Space Requirements and Intervals	36
4.3.1	Transition Fittings	37
4.3.1.1	Threaded Connections	37
4.3.1.2	Flange Connections	37
4.3.2	Minimum Distance between Fittings	37
4.3.3	ProPress Jaws Clearance Requirements	37
4.3.4	ProPress Rings Clearance Requirements	39
4.4	Soldering or Brazing	41
4.4.1	Using ProPress Stainless In Line with Existing Fittings	41
4.4.2	Soldering or Brazing In Line with Existing ProPress Stainless Fitting	41
4.5	Welding	42
4.5.1	Welding Adjacent to a Press Fitting	42
4.6	Cutting the Tube	43
4.7	Deburring the Tube	43
4.8	Pressing the Fitting	44
4.8.1	Viega ProPress Stainless 1/2" to 2" Installation	44
4.8.2	Viega ProPress Stainless 2 1/2" to 4" Installation	47
4.9	Pressure Testing	50
4.10	Disposal	50
5	Limited warranty	51
5.1	Limited Warranty for Viega ProPress Fittings and Valves	51
5.2	Limited Warranty for Viega Metal Systems for Industrial Applications	52
5.3	Limited Warranty for Viega Marine Applications	54

List of Tables

Table 1	ProPress stainless approved fluids _____	9
Table 2	ProPress stainless approved gases _____	10
Table 3	Dimensional data _____	21
Table 4	½" Stainless Steel, ASTM A312 flow rate, velocity, loss _____	22
Table 5	¾" Stainless Steel, ASTM A312 flow rate, velocity, loss _____	23
Table 6	1" Stainless Steel, ASTM A312 flow rate, velocity, loss _____	24
Table 7	1¼" Stainless Steel, ASTM A312 flow rate, velocity, loss _____	25
Table 8	1½" Stainless Steel, ASTM A312 flow rate, velocity, loss _____	26
Table 9	2" Stainless Steel, ASTM A312 flow rate, velocity, loss _____	27
Table 10	2½" Stainless Steel, ASTM A554 flow rate, velocity, loss _____	28
Table 11	3" Stainless Steel, ASTM A554 flow rate, velocity, loss _____	29
Table 12	4" Stainless Steel, ASTM A554 flow rate, velocity, loss _____	30
Table 13	Fitting friction loss equivalent length of tube (feet) _____	31
Table 14	MSS SP-58 or the maximum spacing and minimum rod sizes _____	31
Table 15	Minimum distance between press fittings _____	37
Table 16	ProPress standard jaws clearance requirements _____	38
Table 17	ProPress standard jaws clearance requirements between tube, wall, and floor _____	38
Table 18	ProPress compact jaws clearance requirements _____	38
Table 19	ProPress compact jaws clearance requirements between tube, wall, and floor _____	38
Table 20	ProPress rings dimensions _____	39
Table 21	ProPress rings with V1 actuator clearance requirements _____	39
Table 22	ProPress rings with V2 actuator clearance requirements _____	39
Table 23	ProPress rings with V1 actuator clearance requirements between tube, wall, and floor _____	39
Table 24	ProPress rings with V2 actuator clearance requirements between tube, wall, and floor _____	40
Table 25	ProPress rings with C1 actuator clearance requirements between tube, wall, and floor _____	40
Table 26	ProPress XL-C rings dimensions _____	40
Table 27	ProPress XL-C rings clearance requirements _____	40
Table 28	ProPress XL-C rings clearance requirements between tube, wall, and floor _____	40
Table 29	Minimum distance between existing soldered or brazed fitting and ProPress fitting _____	41
Table 30	Minimum distance between soldered fitting and ProPress fitting _____	42
Table 31	Minimum insertion depths for ProPress Stainless ½" to 2" _____	44
Table 32	Insertion depths for ProPress Stainless ½" to 2" no-stop couplings _____	45
Table 33	Minimum insertion depths ProPress Stainless 2½" to 4" _____	48
Table 34	Insertion depths for ProPress Stainless 2½" to 4" no-stop couplings _____	48

1 About this Document

1.1 Disclaimer



This document is subject to updates. For the most current Viega technical literature please visit www.viega.us.



Viega products are designed to be installed by licensed and trained plumbing and mechanical professionals who are familiar with Viega products and their installation. **Installation by non-professionals may void Viega LLC's warranty.**



ProPress 304 FKM ½" to 2" formerly ProPress Stainless 304.
ProPress 304 FKM 2½" to 4" formerly ProPress Stainless 304 XL.
ProPress 316 ½" to 2" formerly ProPress Stainless 316.
ProPress 316 2½" to 4" ProPress Stainless 316 XL.

1.2 Symbols Used

The following symbols may be used within this document:



DANGER!

This symbol warns of possible life-threatening injury.



WARNING!

This symbol warns of possible serious injury.



CAUTION!

This symbol warns of possible injury.



NOTICE!

This symbol warns of possible damage to property.



Notes give additional helpful tips.

2 Product Information

2.1 ProPress 304 FKM and 316 Systems

Viega ProPress systems are state-of-the-art press fitting systems that provide economical and reliable installations for the commercial, industrial, and residential markets.

Viega ProPress 304 FKM and ProPress 316 are stainless steel tube, fittings, and valves in copper tube size (CTS) ranging from ½ inch to 4 inches. The fittings require no brazing, threading, or welding and are installed with electro-hydraulic press tools (battery-powered or corded press tools).

Viega ProPress 304 FKM fittings feature a white dot representing Smart Connect® technology with an FKM sealing element. Viega ProPress 316 fittings feature a green dot that represents Smart Connect technology with an EPDM sealing element. Viega's unique Smart Connect technology helps installers ensure that they have pressed all connections.

Viega ProPress 304 FKM and ProPress 316 2½" to 4" fittings feature a stainless steel grip ring and PBT separator ring.



Stainless tubing is thicker than Schedule 5 inert gas welded pipes, meeting ASTM A312, A554 wall thickness requirements.

All tube diameters are delivered in nominal 20 foot lengths, with a metallic bare exterior and interior surface. The tubes are free from annealing color and corrosion-promoting substances.



Only ProPress stainless steel tubing is approved for installation with ProPress stainless fittings. This ensures reliability and conformity with the stainless steel system.

2.2 Safety

Please read and understand the instructions before beginning installation to eliminate safety concerns and reduce risks associated with use and handling of Viega products.

2.3 Approved Applications

Media ¹	System Operating Conditions			Product Line, Material, and Sealing Element ²			
				ProPress Stainless			
	Comments	Max Pressure (psig)	Temperature Range (°F)	304	316		
FKM				EPDM	FKM		
Water/Liquids							
Hot and cold potable water	Test pressure 600 psi	200	See note ³		✓		
Rainwater / Graywater				✓	✓	✓	
Chilled Water	≤50% Ethylene / Propylene glycol			✓	✓	✓	
Hydronic Heating Water	≤50% Ethylene / Propylene glycol			✓	✓	✓	
Treated Water	Fully desalinated, deionized, demineralized, distilled (open system)			✓	✓	✓	
Reverse Osmosis Water	<1 MΩ			✓	✓	✓	
Paraffin Wax				✓		✓	
Methyl Ethyl Ketone					✓		
Isopropyl alcohol				✓	✓	✓	
Nitric Acid	Concentration ≤10%			✓	✓	✓	
Phosphoric Acid	Concentration ≤25%			✓	✓		
Fire Sprinkler	NFPA 13, 13D, 13R		175	Ambient ⁵	✓	✓	✓
Steam	Low-pressure		15	Max 250°	✓ ⁴		✓ ⁴
	Residential		5	Max 227°	✓ ⁴	✓ ⁴	✓ ⁴
Fuels/Oils/Lubricants							
Ethanol	Pure grain alcohol	200	Ambient ⁵		✓		
Mineral Oil				✓		✓	
Lube Oil	Petroleum based				✓		✓
Biodiesel		140	Max 150°			✓	
Heating Fuel Oil		125	Max 100°	✓		✓	
Diesel Fuel				✓		✓	
Kerosene				Max 68°	✓		✓

¹ It is recommended that all systems be clearly labeled with the media being conveyed. For further information please consult Viega Technical Services.

² All Viega systems must be used with the manufacturer's recommended sealing element.

Contact your local Viega representative or Viega Technical Services for specific application temperature, pressure, and concentration limits.

³ System pressure and temperature ranges depend on sealing element. Any ranges listed above will be overruled by the sealing element limits here:

^{3a} EPDM temperature ranges are typically 0°F to 250°F.

^{3b} FKM temperature ranges are typically 14°F to 284°F with temperature spikes (24hr) up to 356°F.

^{3c} HNBR temperature ranges are typically -40°F to 180°F.

⁴ System must contain adequate condensate drainage.

⁵ Ambient temperatures should be taken as normal operating conditions for the applications not to exceed sealing element limitations.

Table 1: ProPress stainless approved fluids



ProPress 304 FKM and 316 tubing and fittings are physically and chemically compatible with one another. Care must be taken to ensure that both alloys are compatible with the fluid and that the proper sealing elements are used throughout the system.

Media ¹	System Operating Conditions			Product Line, Material, and Sealing Element ²		
				ProPress Stainless		
	Comments	Max Pressure (psig)	Temperature Range (°F)	304	316	
FKM				EPDM	FKM	
Gases						
Compressed Air	Oil Concentration ≤25 mg/m ³ Oil Concentration >25 mg/m ³	200	Max 140°	✓	✓	✓
Nitrogen - N ₂				✓	✓	✓
Carbon Dioxide - CO ₂	Dry			✓	✓	✓
Argon - Ar				✓	✓	✓
Ammonia	Anhydrous				Max 120°	
Oxygen - O ₂	Non-medical. Keep free of oil and grease		Max 140°		✓	
Hydrogen - H ₂		140	Max 140°	✓	✓	✓
Acetylene	Test pressure 350 psi	125	Ambient ⁶	✓	✓	✓
Vacuum	Minimum absolute pressure	750µm Hg	Max 160°	✓	✓	✓
Special Media						
Methanol		200	75°		✓	
Latex Paint			32° to 250°		✓	
Urea Solution	Concentration ≤40%	140	100°		✓	
Caustic Soda	Concentration ≤50%		140°		✓	
Acetone	Liquid	70	-14° to 104°		✓	

¹ It is recommended that all systems be clearly labeled with the media being conveyed. For further information please consult Viega Technical Services.

² All Viega systems must be used with the manufacturer's recommended sealing element. Contact your local Viega representative or Viega Technical Services for specific application temperature, pressure, and concentration limits.

³ System pressure and temperature ranges depend on sealing element. Any ranges listed above will be overruled by the sealing element limits here:

^{3a} EPDM temperature ranges are typically 0°F to 250°F.

^{3b} FKM temperature ranges are typically 14°F to 284°F with temperature spikes (24hr) up to 356°F.

^{3c} HNBR temperature ranges are typically -40°F to 180°F.

⁴ System must contain adequate condensate drainage.

⁵ Ambient temperatures should be taken as normal operating conditions for the applications not to exceed sealing element limitations.

Table 2: ProPress stainless approved gases



DANGER!

Failure to verify suitability

Failure to verify suitability of the system for certain applications may cause serious personal injury or even death.

- It is the responsibility of designers to verify the suitability of type 304 or 316 stainless steel tubing for use with intended fluid media.
- The fluid's chemical composition, pH level, operation temperature, chloride level, oxygen level, and flow rate and their effects on AISI type 304 stainless steel and/or type 316 stainless steel must be evaluated by the material specifier to confirm adequate system life.



The use of the system for applications other than those listed or outside of these parameters must be approved by the Viega Technical Services Department.

2.3.1 Commercial and Residential

ProPress Stainless systems are approved for numerous applications in commercial and residential markets.

2.3.2 Industrial and Plant Operations

ProPress Stainless systems are also suitable for use in industrial and plant processes.

Primary areas of application include:

- Utility systems
- Process piping
- Cooling water
- Fire sprinkler systems (304 FKM only)

2.3.3 Fire Protection Systems

The system components may be installed in NFPA 13, 13R, and 13D fire sprinkler systems. They are certified for use in “wet” and “dry” fire protection systems in accordance with UL certifications:

- ANSI/UL 852: Standard for Metallic Sprinkler Pipe for Fire Protection Service
- ANSI/UL 213: Standard for Rubber Gasketed Fittings for Fire-Protection Services
- ULC ORD-C213: Canadian Standard for Rubber Gasketed Fittings for Fire-Protection Services
- UL VIZY.EX16017: Metallic Sprinkler Pipe
- UL VIZY7.EX16017: Metallic Sprinkler Pipe Certified for Canada

The pipe and fittings may be installed in NFPA 17A wet chemical extinguishing systems. The pipe and fittings are Recognized Components for use with the intended extinguishing system units when the compatibility has been determined as cross-referenced in the listed extinguishing system units’ installation, operation, and maintenance manual; and in accordance with UL recognitions:

- UL 1254F: Outline for Rubber-Gasketed Fittings and Metallic Pipe for Commercial Cooking Equipment Protection Extinguishing System Units (only for ProPress 304 FKM, ½" fittings)
- UL GOBQ2.EX28089: Extinguishing System Rubber-Gasketed Fittings and Metallic Pipe-Component (only for ProPress 304 FKM, ½" fittings)

2.3.4 Design Services

Consult Viega’s Technical Services Department for information on applications not listed or applications outside temperature and pressure ranges listed.

- Viega Technical Services Department: Techsupport@viega.us
- Design Service: For more information on fire protection system design, radiant system design, and plumbing design services: Design@viega.us

2.4 Product Description

2.4.1 Overview

ProPress 304 FKM and ProPress 316 systems consists of stainless steel press fittings for stainless steel tubing and the corresponding press tools. Stainless fittings are designed to be used with only Viega's stainless steel tubing.

2.4.2 Listing, Certifications, and/or Recognitions

ProPress Stainless fittings have the following listings and certifications:

- ABS: American Bureau of Shipping Type Approval
- ASME B31.1: Power Piping
- ASME B31.3: Process Piping
- ASME B31.9: Building Services Piping
- BV: Bureau Veritas Type Approval
- Canadian Registration Number (CRN): 13492.5 A/B/C
- DNV GL: Det Norske Veritas Germanischer Lloyd Type Approval
- UL/ANSI 213: Standard for Rubber Gasketed Fittings for Fire-Protection Service
- ULC/ANSI ORD-C213: Canadian Standard for Rubber Gasketed Fittings for Fire-Protection Service
- LR: Lloyd's Register Type Approval
- UL/ANSI 852: Standard for Metallic Sprinkler Pipe for Fire Protection Services (304 FKM only)
- UL 1254F: Outline of Investigation for Rubber-Gasketed Fittings and Metallic Pipe for Commercial Cooking Equipment Protection Extinguishing System Units (304 FKM, ½" fittings only)
- NKK: Nippon Kaija Kyokai Type Approval
- IAPMO PS-117: Press and Nail Connections (316 only)
- ICC-ES LC1002: Press-Connection Fittings for Potable Water Tube and Radiant Heating Systems (316 only)

2.4.3 Codes and Standards

ProPress 304 FKM and ProPress 316 fittings comply with the following codes and standards:

- ASME B31: Code for Pressure Piping
- ASTM A312: Standard Specification for Seamless, Welded and Heavily Cold Worked Austenitic Stainless Steel Pipes
- ASTM A403: Standard Specification for Wrought Austenitic Stainless Steel Piping Fittings (316 only)
- ASTM A554: Standard Specification for Welded Stainless Steel Mechanical Tubing
- IAPMO Uniform Mechanical Code (UMC) (316 only)
- ICC International Mechanical Code (IMC) (316 only)
- National Building Code of Canada (NBCC) (316 only)
- NFPA 13: Standard for the Installation of Sprinkler Systems (304 FKM only)
- NFPA 13D: Standard for the Installation of Sprinkler Systems in One- and Two-Family Dwellings and Manufactured Homes (304 FKM only)
- NFPA 13R: Standard for the Installation of Sprinkler Systems in Low-Rise Residential Occupancies (304 FKM only)
- NFPA 17A: Standard for Wet Chemical Extinguishing Systems (304 FKM, ½" fittings only)

2.4.4 Tubing

Viega stainless steel tubing is offered in ½ inch to 4 inches size in either 304 stainless steel or 316 stainless steel to complement the Viega ProPress Stainless fittings and offer a complete system solution. Viega stainless steel tubing meets the requirement of ASTM A312 or ASTM A554 for Schedule 5 304 and 316 stainless steel pipe.

Only Viega stainless tubing is approved for installation with Viega ProPress for Stainless fittings. This is to ensure reliability and conformity with the stainless steel system.

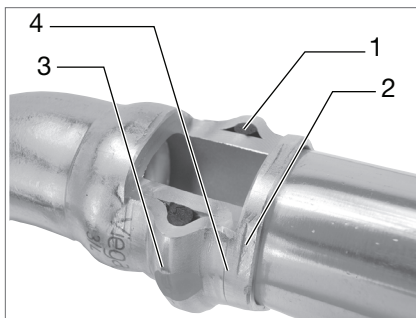
Viega ProPress for Stainless tubing is thicker than Schedule 5 inert gas welded pipes, meeting ASTM A312, A554, and DIN 1988 wall thickness requirements.

All diameters are delivered in nominal 20 foot lengths, with a metallic bare exterior and interior surface. The tubes are free from annealing color and corrosion-promoting substances.

All tubing has been tested for leaks and is subject to continuous quality monitoring as well as external monitoring by the material testing office.

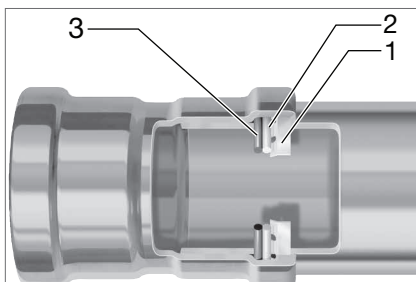
2.4.5 Press Fittings

2.4.5.1 Viega ProPress Stainless ½" to 2" Fittings



- 1 Each fitting contains an application specific sealing element. A green dot on a Viega ProPress Stainless fitting indicates the presence of Smart Connect technology and an EPDM sealing element. A white dot on a Viega ProPress Stainless fitting indicates the presence of the Smart Connect feature and an FKM sealing element.
- 2 Viega's distinctive hexagonal pressing pattern bonds fitting and tube and provides the mechanical strength for the connection.
- 3 Color coded dots indicate the presence of Viega's unique Smart Connect technology which helps installers ensure that they have pressed all connections.
- 4 Cylindrical guides ensure the proper insertion of the tube and protects the sealing element.

2.4.5.2 Viega ProPress Stainless 2½" to 4" Fittings



- 1 A 420 stainless steel grip ring's teeth cut into the tube and lock the fitting securely in place.
- 2 A PBT (Polybutylene Terephthalate) separator ring protects the sealing element from damage by creating a positive physical separation during installation and later during pressing.
- 3 An application specific sealing element (FKM or EPDM) ensures water-tight or air-tight connections.

ProPress 2½" to 4" fittings are designed to be pressed with ProPress XL-C press rings and V2 actuator to produce a non-detachable, secure connection.

2.4.5.3 FKM Sealing Element



Viega ProPress 304 FKM fittings are manufactured with a high-quality, dull black FKM (Fluoroelastomer) sealing element installed at the factory. The molded sealing lips also seal tube surfaces with slightly uneven surfaces. Sealing elements are inserted into the fitting using a H1 food grade lubricant registered with NSF and the USDA, and is approved for use under FDA 21 CFR.

FKM possesses excellent resistance to aging, ozone, sunlight, weathering, environmental influences, and oils and petroleum-based additives. Its superb resistance to high temperatures and petroleum based additives makes it ideal for seals and gaskets in solar, district heating, low-pressure steam, and compressed air system fittings. It can withstand heat spikes up to 356°F.

The operating temperature of the FKM sealing element is 14° to 284°F (-10° to 140°C).

2.4.5.4 EPDM Sealing Element

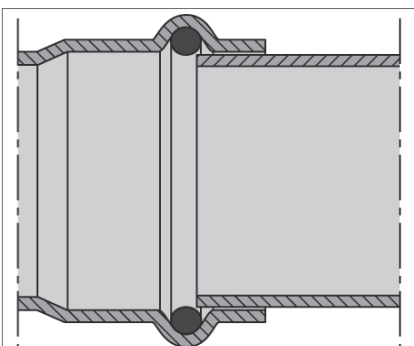


Viega ProPress 316 fittings are manufactured with a high-quality, shiny black EPDM (Ethylene Propylene Diene Monomer) sealing element installed at the factory. The molded sealing lips also seal tube surfaces with slightly uneven surfaces. Sealing elements are inserted into the fitting using a H1 food grade lubricant registered with NSF and the USDA, and is approved for use under FDA 21 CFR.

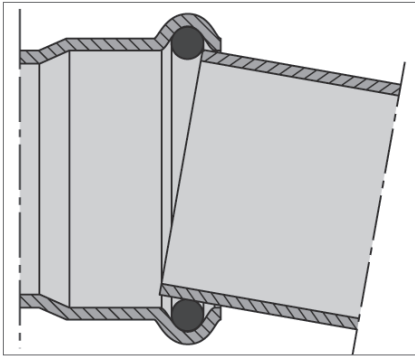
The EPDM sealing element possesses excellent resistance to aging, ozone, sunlight, weathering, environmental influences, and most alkaline solutions and chemicals used in a broad range of applications.

The operating temperature of the EPDM sealing element is 0° to 250°F (-18° to 120°C).

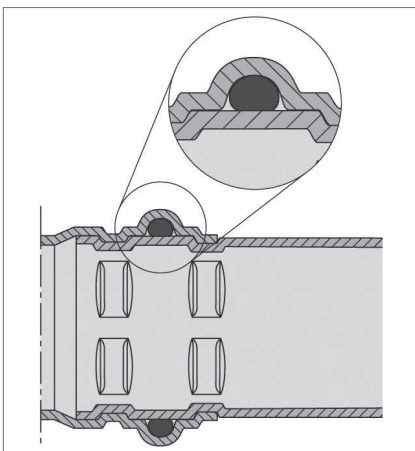
2.4.5.5 Cylindrical Guides



All Viega fittings are designed with cylindrical guides to keep the tube straight and protect the sealing element during assembly.

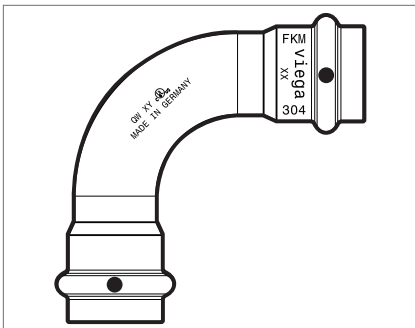


Fittings that do not have cylindrical guides risk making an unsecured connection. Without the guides, installers may damage the sealing element.



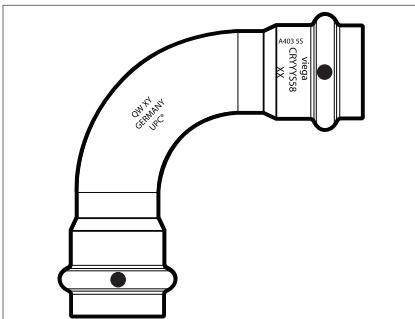
Fittings are radially pressed around the sealing element in a single step.

2.4.5.6 Fitting Markings



Each ProPress 304 FKM fitting is marked with the following:

- White dot: FKM sealing element and Smart Connect technology
- Size of fitting
- Stainless steel alloy number
- Manufacturer name
- Manufacturer batch code
- Country of origin
- UL® Certification Mark (only on 1/2" to 2" sizes)
- UL® Recognized Component Mark (only on 1/2" size)



Each ProPress 316 fitting is marked with the following:

- Green dot: EPDM sealing element and Smart Connect technology
- Size of fitting
- Stainless steel alloy number
- Manufacturer name
- Manufacturer batch code
- Country of origin
- UMC®

2.4.5.7 Viega Smart Connect Technology



1 Identify an unpressed connection during pressure testing when water or air flows past the sealing element.



2 Upon identification, use the press tool to press the fitting, making a secure leak-proof connection.



3 Viega ProPress connections are fast, flameless, and reliable.

Viega Smart Connect technology provides the installer quick and easy identification of an unpressed fitting during a leak test. When the fitting is pressed, a secure, non-detachable, mechanical connection is created. Smart Connect technology provides the installer with an easy way to see connections that have not been pressed before putting the system into operation.



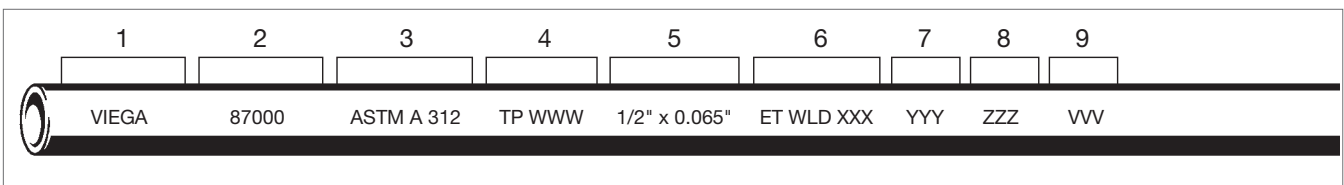
Testing for leaks using Viega Smart Connect is not a replacement for testing requirements of local codes and standards. If testing with compressed air, it is necessary to use an approved leak-detect solution.

2.4.6 Marking on Tubing



Viega ProPress Stainless tubing is marked with important information regarding the material configuration and manufacture of the tubing. It is labeled with the following information along its entire length:

- 1 Manufacturer
- 2 Stock code
- 3 Specification standard
- 4 Material type
- 5 Nominal diameter x wall thickness
- 6 Manufacturing information
- 7 Date of manufacture
- 8 Batch code
- 9 Country of origin



It is the responsibility of the installer or any other parties to adhere to all applicable local rules and regulations governing the nature of the installation.

2.5 General Installation Requirements

The Viega ProPress Stainless fitting system must be installed while considering the following general industry requirements.

2.5.1 Required Tools

The following tools are required for making a press connection:

- Pipe cutter or a fine-toothed hacksaw
- Deburring tool
- Marker for marking insertion depth on the tube
- Press machine with constant pressing force
- Press jaw or press ring with corresponding actuator suitable for the tube diameter and with the proper profile



Improper Tool/Material Damage

Only use press jaws and rings that are designed for use with ProPress fittings.

2.5.2 Expansion

Thermal expansion in installed systems generates stress on the tubing and appliance connectors. Compensation must be allowed for expansion and contraction that may occur within the system. Expansion joints or mechanical expansion compensators may be used to alleviate these stresses. ProPress Stainless systems do not require any additional protection when compared to traditional joining methods.

The following methods are effective:

- Fixed and sliding hangers
- Expansion equalization joints (expansion bends)
- Expansion compensators

2.5.3 Electrical Bonding

When properly installed, ProPress Stainless fittings comply with Section 1211.15 Electrical Bonding and Grounding of the Uniform Plumbing Code and Section 310 of the International Fuel Gas Code.

The mechanical press provides continuous metal-to-metal contact between fitting and tube. The press ensures the continuity of the bonding through this contact.



A qualified electrician is responsible for ensuring electrical bonding is tested and secured.



DANGER! **Electric Shock**

An electric shock can cause burns, serious injury, and even death.

- Because all metallic tubing can conduct electricity, unintentional contact with a live wire can lead to the entire system and components connected to it to become energized. Metal tubing is not meant to conduct electricity.
- A properly bonded system creates a safe path for electricity to travel so that the system can't be energized.
- An unbonded or improperly bonded system can be a shock hazard.
- Always ensure bonding is in accordance with local codes.

2.5.4 Exposure to Freezing Temperatures

Viega ProPress Stainless systems with EPDM sealing elements can be installed in ambient temperatures down to 0° F and with FKM sealing element down to 14° F. Tubing exposed to freezing temperatures must be protected per acceptable engineering practices, codes, and as required by local code.

2.5.5 Underground Installations

Viega ProPress Stainless fitting systems are approved for underground installations. However, installations must meet all state and local codes, including those for underground. Proper authorization must be obtained prior to installation from the Authority Having Jurisdiction.

2.5.6 Concealed Spaces

The Viega ProPress Stainless fitting system has been approved for use in concealed spaces. Specific performance tests were conducted to evaluate the fittings for use in concealed spaces. Concealed tubing and fittings shall be protected from puncture threats.

2.5.7 Corrosion Protection

Viega ProPress Stainless fittings exposed to corrosive action, such as soil conditions or moisture, must be protected in an approved manner in accordance with NFPA 54 Section 404.8, NACE Standard RP0169-2002 Section 5, 2009 UPC Chapter 6 Section 609.3.1, 2009 UMC Chapter 13 Section 1312.1.3, or satisfying local code requirements. In addition, systems should be properly sized to minimize the risk of erosion corrosion resulting from excessive velocities.

2.5.7.1 Mixed Installations

- Stainless steel should not be directly connected to copper. Brass or bronze fittings are a suitable transition in most applications.
- ProPress Stainless dielectric unions should be used when connecting stainless steel to steel or galvanized steel pipe. Do not use dielectric unions intended for copper to steel transitions to connect stainless steel to copper or steel.
- Care should be taken to select hangers of suitable material that are galvanically compatible with the tubing.

Above ground tube and fittings do not normally require external corrosion protection.

Please contact the Viega Technical Services Department for questions on this subject.

2.5.8 Pressure Surges



- ProPress Stainless fittings should be isolated or separated by sufficient distance from pumps, fast-acting valves, and other sources of pressure transients.
- The maximum operating pressure in a ProPress Stainless system is 200 psi, which applies to general operation as well as pressure transients.
- Good engineering practices should be used to design the system in a way that minimizes sharp pressure surges.

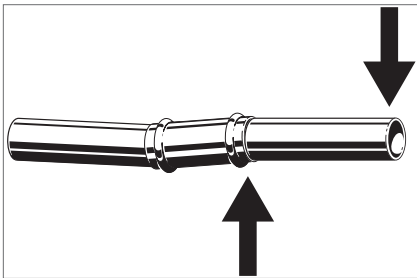
- Pressure surges or transients from fast-acting valves, pump surges, and other sources that result in water hammer may cause damage to many system components, including press fittings.
- When fast-acting valves and/or pumps are incorporated into a system, the designer and installer should isolate press fittings from sharp pressure surges.

2.5.9 Rotating a Pressed Fitting

Once a ProPress Stainless fitting has been pressed, it can be rotated (not by hand), but once rotated more than five degrees, the fitting should be repressed to restore resistance to rotational movement.

If the fitting is re-pressed, care should be taken to align the flat sides on the jaw with those on the fitting.

2.5.10 Deflection



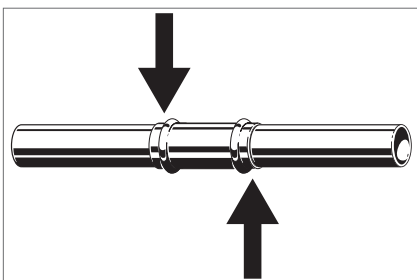
The pressing process can cause deflection (angular misalignment) to occur. When pressing Viega ProPress Stainless fittings in a system, the deformation of the fitting is constant. This allows for a consistent leak-free joint every time and is a result of the pressing technique.

Deflection occurs in the same way for every fitting. The fitting being pressed will move in the direction of the jaw or ring opening.

- Since the fitting will deflect toward the opening of the jaw or ring, the tube end will deflect in the opposite direction.
- By counteracting the fitting movement, one can minimize the deflection of the fitting and ultimately the tube.
- When using strut and clamps, deflection is minimized and nearly eliminated depending on clamp spacing.

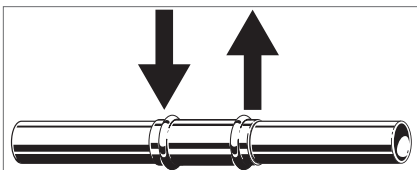
2.5.10.1 Controlling Deflection

Deflection while pressing can be minimized by utilizing the following installation practices.



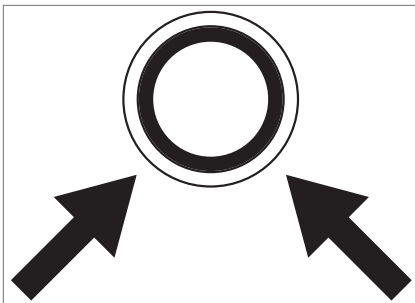
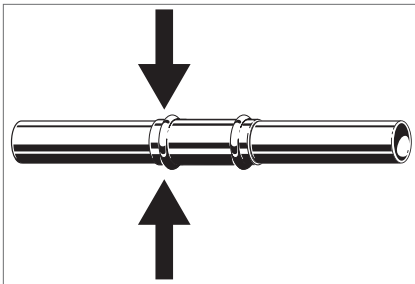
Alternate Press Directions

- Press one end of fitting.
- Make second press on other end of fitting from the opposite side. Site conditions permitting.



Push-Pull Method

- Rings = Push on press tool.
 - Jaws = Pull on press tool.
- The press tool can be feathered using the trigger as needed to apply pulling or pushing force to control deflection.



Re-Press

➤ Press the fitting, once on each side (that is, re-press the fitting a second time on the opposite side). Pressing the same connection from the opposite side will usually straighten misalignment between the tube and fitting.

- When pressing overhead piping, it may be inconvenient to alternate sides for each press.
- The natural weight of the piping plus pressing on opposite sides at a 45 degree angle should adequately eliminate deflection.
- This technique can also be used for any horizontal piping and also when working above the piping.



- As long as the tubing is properly prepped and marked and the fitting is installed according to Viega’s ProPress Stainless Product Instructions, if there is any deflection present after the installation of the fitting, the connection is still acceptable and meets Viega’s manufacturing specifications for proper installation and warranty.
- Deflection of a press connection has no effect on the integrity of the system, and it can be pressure tested in accordance with the ProPress Stainless Product Instructions.

2.6 ProPress Stainless Flow Data

Nominal Tube Size (inches)	Tube (lb./ft.)	Weight	
		Water (lb./ft.)	Total (lb./ft.)
½	0.41	0.06	0.47
¾	0.59	0.12	0.71
1	0.77	0.20	0.97
1¼	0.95	0.31	1.26
1½	1.13	0.43	1.56
2	1.50	0.76	2.26
2½	2.18	1.61	3.79
3	2.60	2.29	4.89
4	3.46	4.06	7.52

Table 3: Dimensional data

2.6.1 Flow Rate, Velocity, and Friction Loss (Water)

Friction loss state within the following tables is based on pipe dimensional data using the Darcy-Weisbach equation:

$$h_f = f \cdot \frac{L}{D} \cdot \frac{V^2}{2g}$$

Where:

h_f = friction loss

L = pipe length

D = pipe ID

V = velocity (ft./sec.)

g = gravity constant (32.174ft./sec.²)

f = pipe friction factor

Flow Rate (gpm)	Schedule 5	
	Wall Thickness = 0.065 ID = 0.50	
	Velocity (ft./second)	Pressure Loss (psi/100 ft.)
1.00	1.63	0.95
2.00	3.27	3.79
3.00	4.90	8.54
4.00	6.54	15.18
5.00	8.17	23.71
6.00	9.80	34.15
7.00	11.44	46.48
8.00	13.07	60.71
9.00	14.71	76.83
10.00	16.34	94.86
11.00	17.97	114.77
12.00	19.61	136.59
13.00	21.24	160.31
14.00	22.88	185.92
15.00	24.51	213.42
16.00	26.14	242.83
17.00	27.78	274.13
18.00	29.41	307.33

Table 4: ½" Stainless Steel, ASTM A312 flow rate, velocity, loss

Schedule 5		
Wall Thickness = 0.065		
ID = 0.75		
Flow Rate (gpm)	Velocity (ft./second)	Pressure Loss (psi/100 ft.)
1.00	0.73	0.12
2.00	1.45	0.48
3.00	2.18	1.07
4.00	2.90	1.91
5.00	3.63	2.98
6.00	4.36	4.29
7.00	5.08	5.84
8.00	5.81	7.63
9.00	6.54	9.65
10.00	7.26	11.92
11.00	7.99	14.42
12.00	8.71	17.16
13.00	9.44	20.14
14.00	10.17	23.36
15.00	10.89	26.81
16.00	11.62	30.51
17.00	12.35	34.44
18.00	13.07	38.61
19.00	13.80	43.02
20.00	14.52	47.67
21.00	15.25	52.55
22.00	15.98	57.68
23.00	16.70	63.04
24.00	17.43	68.64
25.00	18.16	74.48
26.00	18.88	80.56
27.00	19.61	86.88
28.00	20.33	93.43
29.00	21.06	100.22
30.00	21.79	107.25

Table 5: ¼" Stainless Steel, ASTM A312 flow rate, velocity, loss

Schedule 5		
Wall Thickness = 0.065		
ID = 1.00		
Flow Rate (gpm)	Velocity (ft./second)	Pressure Loss (psi/100 ft.)
2.00	0.82	0.11
4.00	1.63	0.43
6.00	2.45	0.97
8.00	3.27	1.72
10.00	4.08	2.69
12.00	4.90	3.88
14.00	5.72	5.28
16.00	6.54	6.89
18.00	7.35	8.73
20.00	8.17	10.77
22.00	8.99	13.04
24.00	9.80	15.51
26.00	10.62	18.21
28.00	11.44	21.12
30.00	12.25	24.24
32.00	13.07	27.58
34.00	13.89	31.13
36.00	14.71	34.91
38.00	15.52	38.89
40.00	16.34	43.09
42.00	17.16	47.51
44.00	17.97	52.14
46.00	18.79	56.99

Table 6: 1" Stainless Steel, ASTM A312 flow rate, velocity, loss

Flow Rate (gpm)	Schedule 5	
	Wall Thickness = 0.06 ID = 1.26	
	Velocity (ft./second)	Pressure Loss (psi/100 ft.)
5.00	1.29	0.21
8.00	2.06	0.54
11.00	2.83	1.03
14.00	3.60	1.66
17.00	4.37	2.45
20.00	5.15	3.39
23.00	5.92	4.49
26.00	6.69	5.73
29.00	7.46	7.13
32.00	8.23	8.68
35.00	9.01	10.39
38.00	9.78	12.25
41.00	10.55	14.26
44.00	11.32	16.42
47.00	12.09	18.73
50.00	12.87	21.20
53.00	13.64	23.82
56.00	14.41	26.60
59.00	15.18	29.52
62.00	15.95	32.60
65.00	16.72	35.83
68.00	17.50	39.21
71.00	18.27	42.75
74.00	19.04	46.44
77.00	19.81	50.28

Table 7: 1¼" Stainless Steel, ASTM A312 flow rate, velocity, loss

Flow Rate (gpm)	Schedule 5	
	Wall Thickness = 0.06 ID = 1.50	
	Velocity (ft./second)	Pressure Loss (psi/100 ft.)
10.00	1.82	0.34
13.00	2.36	0.57
16.00	2.90	0.86
19.00	3.45	1.22
22.00	3.99	1.63
25.00	4.54	2.11
28.00	5.08	2.64
31.00	5.63	3.24
34.00	6.17	3.90
37.00	6.72	4.61
40.00	7.26	5.39
43.00	7.81	6.23
46.00	8.35	7.13
49.00	8.90	8.09
52.00	9.44	9.11
55.00	9.99	10.19
58.00	10.53	11.33
61.00	11.07	12.54
64.00	11.62	13.80
67.00	12.16	15.13
70.00	12.71	16.51
73.00	13.25	17.96
76.00	13.80	19.46
79.00	14.34	21.03
82.00	14.89	22.66
85.00	15.43	24.34
88.00	15.98	26.09
91.00	16.52	27.90

Table 8: 1½" Stainless Steel, ASTM A312 flow rate, velocity, loss

Flow Rate (gpm)	Schedule 5	
	Wall Thickness = 0.06 ID = 2.00	
	Velocity (ft./second)	Pressure Loss (psi/100 ft.)
20.00	2.04	0.30
25.00	2.55	0.47
30.00	3.06	0.68
35.00	3.57	0.93
40.00	4.08	1.21
45.00	4.60	1.53
50.00	5.11	1.89
55.00	5.62	2.29
60.00	6.13	2.73
65.00	6.64	3.20
70.00	7.15	3.71
75.00	7.66	4.26
80.00	8.17	4.85
85.00	8.68	5.47
90.00	9.19	6.14
95.00	9.70	6.84
100.00	10.21	7.57
105.00	10.72	8.35
110.00	11.23	9.17
115.00	11.74	10.02
120.00	12.25	10.91
125.00	12.77	11.84
130.00	13.28	12.80
135.00	13.79	13.81
140.00	14.30	14.85
145.00	14.81	15.93
150.00	15.32	17.04
155.00	15.83	18.20
160.00	16.34	19.39
165.00	16.85	20.62

Table 9: 2" Stainless Steel, ASTM A312 flow rate, velocity, loss

Flow Rate (gpm)	Schedule 5	
	Wall Thickness = 0.08 ID = 2.470	
	Velocity (ft./second)	Pressure Loss (psi/100 ft.)
50.00	3.35	0.62
55.00	3.68	0.75
60.00	4.02	0.90
65.00	4.35	1.05
70.00	4.69	1.22
75.00	5.02	1.40
80.00	5.36	1.59
85.00	5.69	1.80
90.00	6.03	2.02
95.00	6.36	2.25
100.00	6.70	2.49
105.00	7.03	2.75
110.00	7.37	3.01
115.00	7.70	3.30
120.00	8.03	3.59
125.00	8.37	3.89
130.00	8.70	4.21
135.00	9.04	4.54
140.00	9.37	4.88
145.00	9.71	5.24
150.00	10.04	5.61
155.00	10.38	5.99
160.00	10.71	6.38
165.00	11.05	6.78
170.00	11.38	7.20
175.00	11.72	7.63
180.00	12.05	8.07
185.00	12.39	8.53
190.00	12.72	8.99
195.00	13.06	9.47
200.00	13.39	9.97

Table 10: 2½" Stainless Steel, ASTM A554 flow rate, velocity, loss

Flow Rate (gpm)	Schedule 5	
	Wall Thickness = 0.08 ID = 2.970	
	Velocity (ft./second)	Pressure Loss (psi/100 ft.)
50.00	2.32	0.25
60.00	2.78	0.36
70.00	3.24	0.49
80.00	3.70	0.63
90.00	4.17	0.80
100.00	4.63	0.99
110.00	5.09	1.20
120.00	5.56	1.43
130.00	6.02	1.68
140.00	6.48	1.94
150.00	6.95	2.23
160.00	7.41	2.54
170.00	7.87	2.86
180.00	8.34	3.21
190.00	8.80	3.58
200.00	9.26	3.96
210.00	9.73	4.37
220.00	10.19	4.80
230.00	10.65	5.24
240.00	11.11	5.71
250.00	11.58	6.20
260.00	12.04	6.70
270.00	12.50	7.23
280.00	12.97	7.77
290.00	13.43	8.34
300.00	13.89	8.92
310.00	14.36	9.53
320.00	14.82	10.15
330.00	15.28	10.79
340.00	15.75	11.46
350.00	16.21	12.14
360.00	16.67	12.85
370.00	17.13	13.57
380.00	17.60	14.31
390.00	18.06	15.08

Table 11: 3" Stainless Steel, ASTM A554 flow rate, velocity, loss

Flow Rate (gpm)	Schedule 5	
	Wall Thickness = 0.08 ID = 3.970	
	Velocity (ft./second)	Pressure Loss (psi/100 ft.)
200.00	5.18	0.93
220.00	5.70	1.12
240.00	6.22	1.34
260.00	6.74	1.57
280.00	7.26	1.82
300.00	7.78	2.09
320.00	8.29	2.38
340.00	8.81	2.69
360.00	9.33	3.01
380.00	9.85	3.35
400.00	10.37	3.72
420.00	10.89	4.10
440.00	11.40	4.50
460.00	11.92	4.91
480.00	12.44	5.35
500.00	12.96	5.81
520.00	13.48	6.28
540.00	14.00	6.77
560.00	14.51	7.28
580.00	15.03	7.81
600.00	15.55	8.36
620.00	16.07	8.93
640.00	16.59	9.51
660.00	17.11	10.12
680.00	17.62	10.74
700.00	18.14	11.38
720.00	18.66	12.04
740.00	19.18	12.72
760.00	19.70	13.42
780.00	20.22	14.13
800.00	20.73	14.87
820.00	21.25	15.62
840.00	21.77	16.39
860.00	22.29	17.18
880.00	22.81	17.99

Table 12: 4" Stainless Steel, ASTM A554 flow rate, velocity, loss

2.6.2 Fitting Friction Loss

Fitting Size (inches)	90° elbow (long radius)	45° elbow	tee (straight flow)	tee (branch outlet)	ball valve (full port)
½	0.66	0.66	0.82	2.46	6.15
¾	0.99	0.99	1.24	3.72	9.30
1	1.33	1.33	1.66	4.98	12.45
1¼	1.65	1.65	2.06	6.18	15.45
1½	1.98	1.98	2.48	7.44	18.60
2	2.66	2.66	3.32	9.96	24.90
2½	3.30	3.30	4.12	12.36	NA
3	3.97	3.97	4.96	14.88	NA
4	5.30	5.30	6.62	19.86	NA

Table 13: Fitting friction loss equivalent length of tube (feet)

2.6.3 Maximum Span/Minimum Rod Diameter

Nominal Tube Size (inches)	Stainless Steel Pipe Maximum Span (feet)	Minimum Rod Diameter (inches)
½	10	⅜
¾	10	⅜
1	10	⅜
1¼	10	⅜
1½	10	⅜
2	10	⅜
2½	11	½
3	12	½
4	14	⅝

Table 14: MSS SP-58 or the maximum spacing and minimum rod sizes

3 Handling Instructions

All Viega ProPress Stainless components and associated tubing shall be free from dirt, debris, or items that may interfere with the sealing element and the press connection. Viega ProPress Stainless sealing elements, separator rings, and grip rings are to be visually inspected prior to installation to ensure the seal is intact and properly located within the fitting.

3.1 Transport

When transporting fittings:

- Do not pull or drag the fittings or system components along other surfaces.
- Secure fittings, tube, and system components during transportation to keep them from shifting.
- Do not damage the protective cap on the components or tube ends.
- Do not remove protective caps until immediately before installing.

3.2 Storage

When storing materials:

- Store fittings, tube, and system components in a clean and dry place.
 - Fittings must be clean and free of debris when pressing.
Use only water when cleaning.
- Do not store components directly on the floor.
- Provide at least three points of support for the storage of tube.
- Where possible, store different sizes separately.
- Store small sizes on top of larger sizes if separate storage is not possible.
- Store fittings, tube, and system components of different materials separately to prevent contact corrosion.

4 Installation Instructions

4.1 Check System Components

System components may, in some cases, become damaged through transportation and storage.

- Check all parts.
- Replace damaged components.
- Do not repair damaged components.
- Contaminated components may not be installed.

4.1.1 Changing the Sealing Element



Damage to the Sealing Element

If damage to the sealing element, separator ring, or grip ring is discovered, contact a Viega District Manager for assistance.

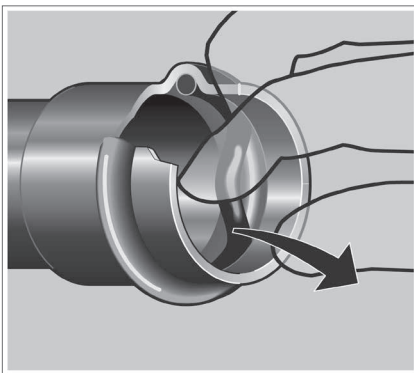
If the sealing element in the fitting is damaged, it should be exchanged for a Viega replacement sealing element.



For applications requiring a different sealing elements, remove the factory installed sealing element and replace with the applicable sealing element. See [Changing Sealing Elements Product Instructions](#).

For applications requiring an FKM sealing element in ProPress 316, remove the factory-installed EPDM sealing element using an O-ring pick and replace with an FKM sealing element.

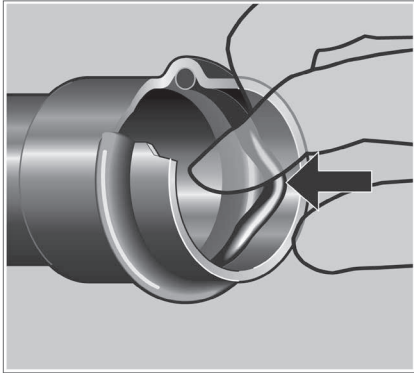
4.1.1.1 ½" to 2" Fittings



- Remove the sealing element from the bead using a blunt object such as a finger or an O-ring pick.

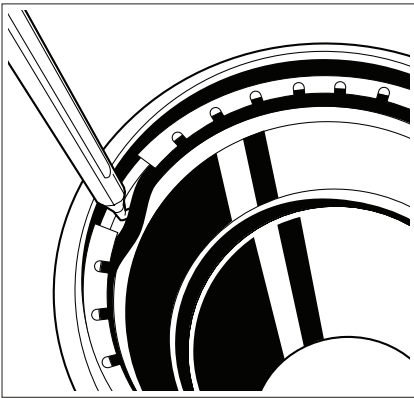


Do not use metallic pointed or sharp objects during removal because they could damage the sealing element and/or bead.

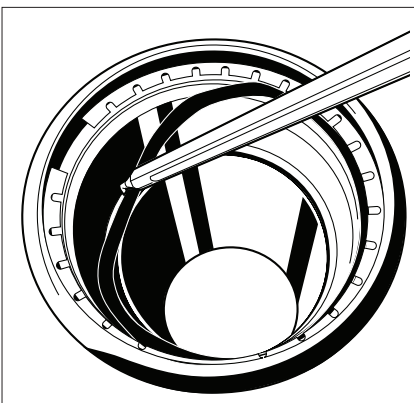


- Insert new, undamaged sealing element into the bead.
- Check to make sure that the whole sealing element is in the bead.

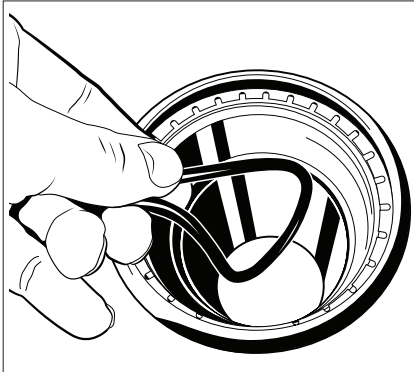
4.1.1.2 2½" to 4" Fittings



- Insert o-ring pick between sealing element and separator ring.



- Use o-ring pick to push the sealing element into the fitting below the grip ring.



- Carefully reach past the grip ring, pinch and remove the sealing element from the fitting.



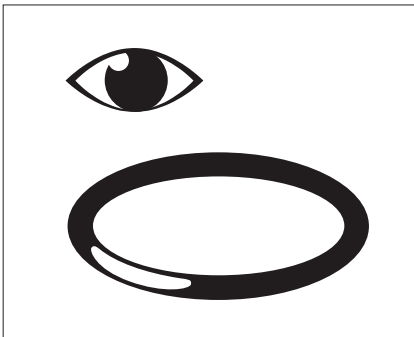
WARNING!

Grip ring is extremely sharp, use gloves or extreme caution when reaching into fitting.

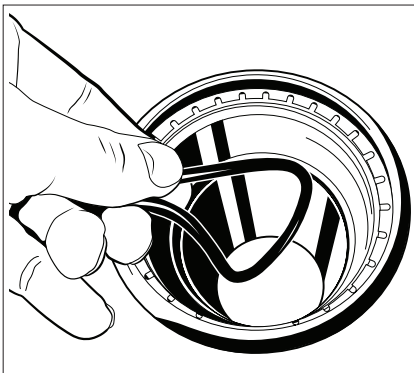


CAUTION!

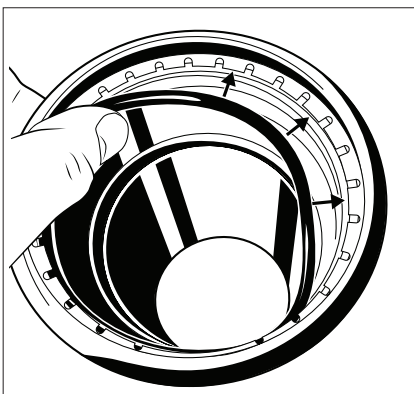
If reusing the sealing element ensure the sealing element does not make contact with grip ring as this can cause damage.



- Visually inspect replacement sealing element. Ensure there are no defects, scratches, or burrs, is free of debris, and is coated with lubricant.



- Pinch the sealing element and place it fully inside the fitting, below the separator and grip rings.



- Carefully pull the sealing element up into the channel below the separator ring. Ensure proper, concentric seating of grip ring, separator ring and sealing element before installation.

4.2 Installing and Mounting the Tube

Observe the general rules of hanging and mounting:

- Fixed tube should not be used as support for other tubing and components.
- Do not use pipe hooks.
- Observe distance between fittings and mounting points.
- Observe the expansion direction – plan fixed and sliding mounts.

4.2.1 Pipe Hangers and Supports

Pipe supports perform two functions:

- To provide support for the tube.
- To guide the tube during thermal expansion and contraction.



Fittings must not be used as support

- System malfunction may result from additional stress and strain put on the fitting.
- At no point in the system should a fitting be the sole means of support. For example, when installing a tee, both the branch and the trunk must be properly supported.

Industry standard practices and guidelines shall be used for tube layout and support. Viega press connections require no special consideration for support.

Hangers and supports must conform to the local code requirements. In the absence of local code requirements, hangers and supports should conform to ANSI/MSS SP 58 Pipe Hangers and Supports - Materials, Design, Manufacture, Selection, Application and Installation. For extinguishing systems per NFPA 17A and the system manufacturer's installation, operation, and maintenance manual, the maximum spacing is 10 feet.

4.3 Space Requirements and Intervals



Not enough space

Malfunctions may arise from improper technique.

- Adhere to minimum space requirements.
- Make sure that the space required for pressing tools is available if fittings will be pressed immediately upstream or downstream from wall or ceiling penetrations.
- Take the minimum required distances into consideration during the planning phase of the project whenever possible.

4.3.1 Transition Fittings

4.3.1.1 Threaded Connections

The Viega ProPress Stainless systems can be joined with compatible, off-the-shelf threaded fittings.

In this regard:

- The threaded connection is made first.
- The press connection is made second.

This process avoids unnecessary torsion on the press fitting.

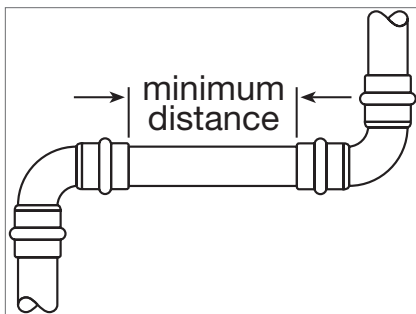
4.3.1.2 Flange Connections

When using Viega flanges, bolt the flange end in place prior to pressing the fitting to the tube.

4.3.2 Minimum Distance between Fittings

To ensure a correct press, a minimum distance between press fittings must be maintained. Failure to provide this distance may result in an improper seal.

For installations where the minimum distance is zero, it is particularly important to ensure the correct insertion depth of the tube into each fitting.



Tube Diameter (inches)	A minimum (inches)	A minimum (mm)
1/2	0	0
3/4		
1		
1 1/4	7/16	10
1 1/2	5/8	15
2	3/4	20
2 1/2	5/8	15
3		
4		

Table 15: Minimum distance between press fittings

4.3.3 ProPress Jaws Clearance Requirements

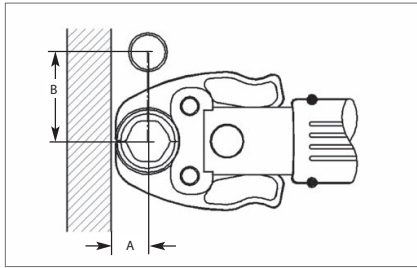
The minimum distance between adjacent tubes, or the tube and the wall/ceiling construction, must be taken into consideration in the planning phase for a problem free work process. The following illustrate the clearance requirements for the jaws and fittings and the procedure for pressing fittings in tight quarters.



Tubing installed too closely together

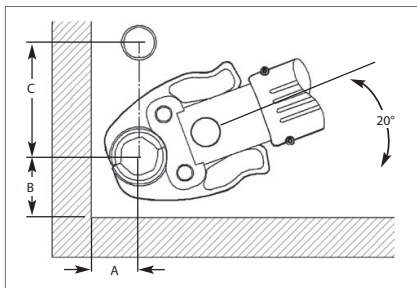
Connection may leak

- Adhere to minimum intervals between fittings.
- Insert tube to full insertion depth before pressing.



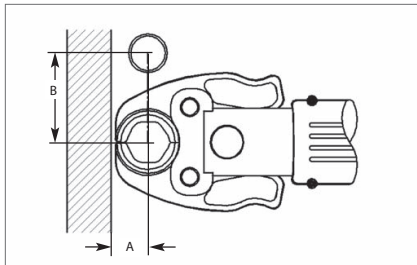
Tube Diameter (inches)	A minimum (inches)	A minimum (mm)	B minimum (inches)	B minimum (mm)
1/2	3/4	19	1 5/8	41
3/4	7/8	22	2 1/8	54
1	1	26	2 1/2	64
1 1/4	1 1/8	29	2 7/8	73
1 1/2	1 3/4	45	3 1/2	89
2	2	51	4 3/8	111

Table 16: ProPress standard jaws clearance requirements



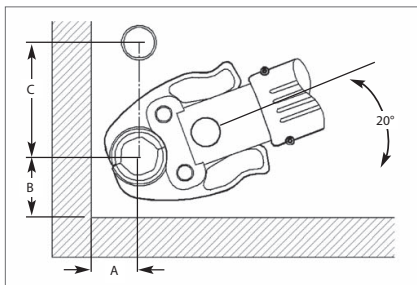
Tube Diameter (inches)	A minimum (inches)	A minimum (mm)	B minimum (inches)	B minimum (mm)	C minimum (inches)	C minimum (mm)
1/2	7/8	23	1 3/8	35	2 1/2	64
3/4	1	26	1 1/2	38	2 1/2	64
1	1 1/8	29	1 3/4	45	3	76
1 1/4	1 1/4	32	2 1/4	57	3 3/8	80
1 1/2	1 7/8	48	2 1/2	64	3 3/4	95
2	2 1/8	54	3 3/8	80	5	127

Table 17: ProPress standard jaws clearance requirements between tube, wall, and floor



Tube Diameter (inches)	A minimum (inches)	A minimum (mm)	B minimum (inches)	B minimum (mm)
1/2	3/4	19	2	51
3/4	7/8	22	2 3/8	60
1		26	2 5/8	67
1 1/4	1 1/8	28	3 1/8	85

Table 18: ProPress compact jaws clearance requirements

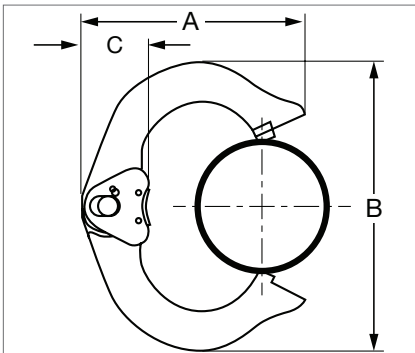


Tube Diameter (inches)	A minimum (inches)	A minimum (mm)	B minimum (inches)	B minimum (mm)	C minimum (inches)	C minimum (mm)
1/2	7/8	23	1 3/8	35	2 1/2	64
3/4	1	26	1 1/2	38	2 3/4	70
1	1 1/8	29	1 5/8	41	3	76
1 1/4	1 5/8	39	2 1/8	53	3 3/8	85

Table 19: ProPress compact jaws clearance requirements between tube, wall, and floor

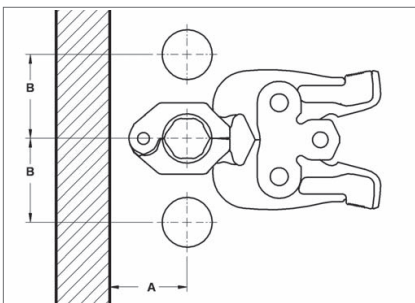
4.3.4 ProPress Rings Clearance Requirements

Ensure that the space required for system pressing tools is available if Viega ProPress Stainless fittings will be installed immediately upstream or downstream from ceiling penetrations.



Tube Diameter (inches)	A minimum (inches)	A minimum (mm)	B minimum (inches)	B minimum (mm)	C minimum (inches)	C minimum (mm)
1/2	2 1/4	57	2 1/8	54	1 1/16	27
3/4	2 11/16	68	2 7/8	73	1 1/8	28
1	2 15/16	75	3 5/16	84	1 3/16	30
1 1/4	3 5/16	84	3 7/8	99		
1 1/2	3 11/16	94	4 5/16	110		
2	4 7/16	113	5 7/16	139		

Table 20: ProPress rings dimensions

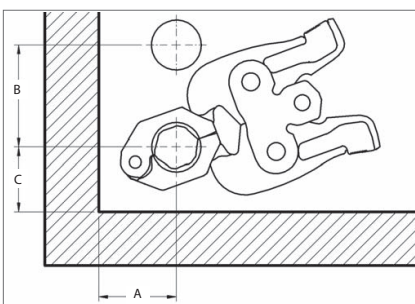


Tube Diameter (inches)	A minimum (inches)	A minimum (mm)	B minimum (inches)	B minimum (mm)
1/2	1 5/8	41	2 3/16	71
3/4	1 3/4	45	2 3/16	55
1	2	51	1 5/8	42
1 1/4	2 3/16	55	2 15/16	75

Table 21: ProPress rings with V1 actuator clearance requirements

Tube Diameter (inches)	A minimum (inches)	A minimum (mm)	B minimum (inches)	B minimum (mm)
1 1/2	2 3/8	60	3 5/16	85
2	2 9/16	65	4 1/8	105

Table 22: ProPress rings with V2 actuator clearance requirements



Tube Diameter (inches)	A minimum (inches)	A minimum (mm)	B minimum (inches)	B minimum (mm)	C minimum (inches)	C minimum (mm)
1/2	1 5/8	41	3 9/16	90	2 5/16	59
3/4	1 3/4	45	3 5/8	92	2 1/8	55
1	2	51	3 13/16	97	2 3/16	56
1 1/4	2 3/16	55	3 3/4	92	2 1/8	55

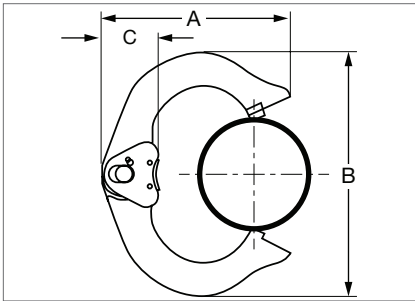
Table 23: ProPress rings with V1 actuator clearance requirements between tube, wall, and floor

Tube Diameter (inches)	A minimum (inches)	A minimum (mm)	B minimum (inches)	B minimum (mm)	C minimum (inches)	C minimum (mm)
1½	2¾	60	5	127	2¾/16	56
2	2¾/16	65	4¾	121	3¾/16	65

Table 24: ProPress rings with V2 actuator clearance requirements between tube, wall, and floor

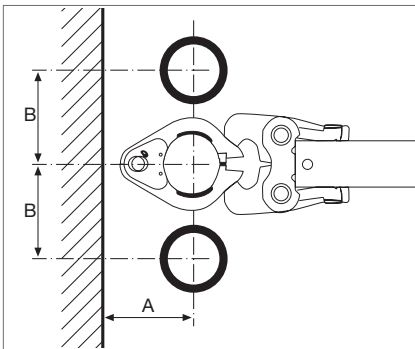
Tube Diameter (inches)	A minimum (inches)	A minimum (mm)	B minimum (inches)	B minimum (mm)	C minimum (inches)	C minimum (mm)
½	1⅝	41	¾	83	2	51
¾	1¾	45			1⅝	48
1	2	51	3⅝	86		
1¼	2¾/16	55				

Table 25: ProPress rings with C1 actuator clearance requirements between tube, wall, and floor



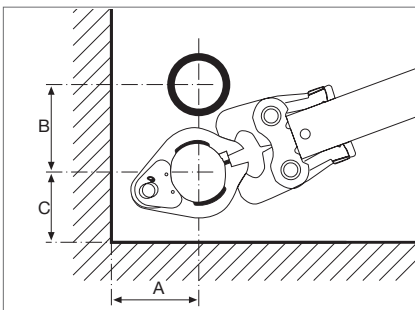
Tube Diameter (inches)	A minimum (inches)	A minimum (mm)	B minimum (inches)	B minimum (mm)	C minimum (inches)	C minimum (mm)
2½	6¾/16	157	6 ¹⁵ /16	176	2 ⁷ /16	62
3	7 ⁷ /16	189	8 ¹³ /16	224		
4	8 ¹ /16	205	10 ⁷ /16	265		

Table 26: ProPress XL-C rings dimensions



Tube Diameter (inches)	A minimum (inches)	A minimum (mm)	B minimum (inches)	B minimum (mm)
2½	4⅝	105	6	152
3	4¾	111	7	178
4	5	127	8	203

Table 27: ProPress XL-C rings clearance requirements



Tube Diameter (inches)	A minimum (inches)	A minimum (mm)	B minimum (inches)	B minimum (mm)	C minimum (inches)	C minimum (mm)
2½	4⅝	105	6	152	4½	114
3	4¾	111	7	178	4 ⁷ /8	124
4	5	127	8	203	5¾	146

Table 28: ProPress XL-C rings clearance requirements between tube, wall, and floor

4.4 Soldering or Brazing

4.4.1 Using ProPress Stainless In Line with Existing Fittings

- The minimum clearance requirement when pressing connections near an existing brazed connection is two tube diameters.
- To ensure proper sealing of both the soldered and press connections, a minimum distance when pressing connections near an existing soldered fitting must be maintained.

Refer to the table below.

Tube Diameter (inches)	Minimum distance from Soldered (inches)	Minimum distance from Soldered (mm)	Minimum distance from Brazed (inches)	Minimum distance from Brazed (mm)
1/2	1/4	7	1	26
3/4	1/4	7	1 1/2	38
1	7/16	11	2	51
1 1/4	7/16	11	2 1/2	64
1 1/2	5/8	16	3	76
2	3/4	19	4	102
2 1/2	1/4	7	5	127
3	1/4	7	6	153
4	1/4	7	8	204

Table 29: Minimum distance between existing soldered or brazed fitting and ProPress fitting



Check the fitting to make sure there is no residual solder or other foreign debris on the tube that will be inserted into the Viega ProPress Stainless fitting.

4.4.2 Soldering or Brazing In Line with Existing ProPress Stainless Fitting

To prevent damage to the sealing element and ensure proper sealing of the soldered/brazed joint and the press connection, maintain proper soldering/brazing distances from the fitting:

- When soldering near a ProPress connection: three tube diameters.
- When brazing near a ProPress connection: nine tube diameters.

Refer to the table on the following page.

Tube Diameter (inches)	Soldering minimum distance (inches)	Soldering Minimum distance (mm)	Brazing minimum distance (inches)	Brazing Minimum distance (mm)
½	1½	38	4½	114
¾	2¼	57	6¾	172
1	3	76	9	229
1¼	3¾	95	11¼	286
1½	4½	114	13½	343
2	6	153	18	457
2½	7½	191	22½	572
3	9	229	27	686
4	12	305	36	915

Table 30: Minimum distance between soldered fitting and ProPress fitting

The installer should take precautions to keep the Viega ProPress Stainless connection cool:

- Wrap the connection with a cold wet rag.
- Protect the connection with a weld blanket.
- Prefabricate solder connections/welded fittings prior to installing the press fitting. (Ensure tube has cooled before installing the fitting).
- Apply heat sink gel or spray or spot freezing

4.5 Welding

4.5.1 Welding Adjacent to a Press Fitting

To prevent damage to the sealing element, maintain proper welding distances from the fitting. If welding adjacent to the connection, weld a minimum of four inches away.

Installers should follow the precautions listed above to keep the Viega ProPress Stainless connection cool.

4.6 Cutting the Tube



Damaged tube and/or sealing element

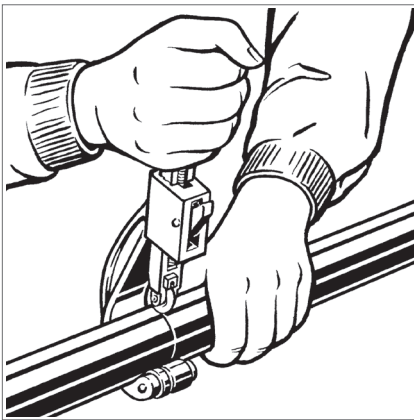
Press fittings can form improper connections as the result of damaged tube and/or sealing elements.

- Do not use flame cutters when cutting the tube.
- Do not use grease or oils when cutting the tube.

Only cut stainless steel pipe with an approved stainless steel pipe cutter.

- Cut the tube square using a displacement-type cutter or fine toothed saw.

Note: Cut tubing a minimum of four inches away from the contact area of the vise to prevent possible damage to the tubing in the press area.



4.7 Deburring the Tube

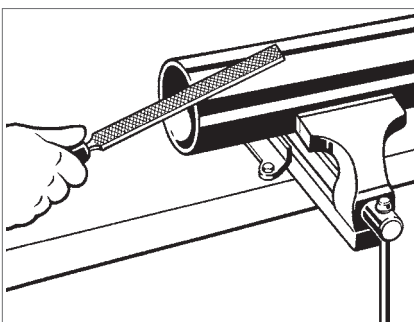


Damage resulting from the wrong deburring tool

- Connections may leak if they are damaged by improper deburrer.
- Failure to deburr the tube will reduce the service life of the system and can cause premature leaks.

The tube ends must be thoroughly deburred after cutting. Damage to or twisting of the sealing element during installation is prevented by deburring.

- Deburr inside and outside of the tube to the proper insertion depths.
- Use a wire brush, Scotchbrite pad, sand cloth, or sandpaper to remove loose dirt and rust particles from the pressing area.



4.8 Pressing the Fitting

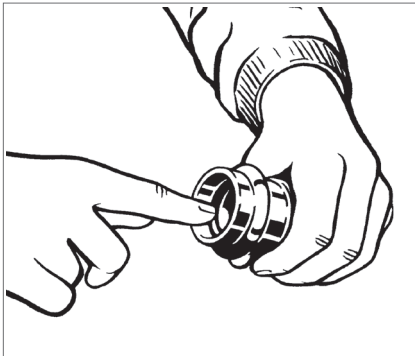


WARNING!

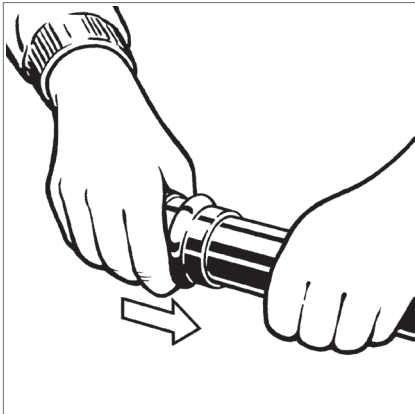
Read and understand all instructions for installing Viega ProPress Stainless fittings. Failure to follow all instructions may result in extensive property damage, serious injury, or death.

4.8.1 Viega ProPress Stainless 1/2" to 2" Installation

For use with Viega stainless steel tubing in 1/2 inch to 2 inches.



- Check the sealing element for correct fit:
 - The tube end is not bent or damaged.
 - The tube is deburred.
 - The correct sealing element is in the fitting.
 - The sealing element is undamaged.
 - The complete sealing element is in the bead.



- Measure insertion depth (see table below).
- Mark the proper insertion depth on the outside of the tube.



Improper insertion depth

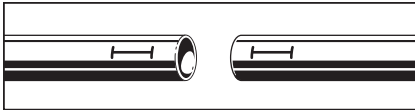
Improper insertion depth may result in an improper seal.

- Be sure to mark the correct insertion depth on the tube before pressing the fitting.

Tube Diameter (inches)	Insertion Depth (inches)
1/2	3/4
3/4	7/8
1	7/8
1 1/4	1
1 1/2	1 7/16
2	1 9/16

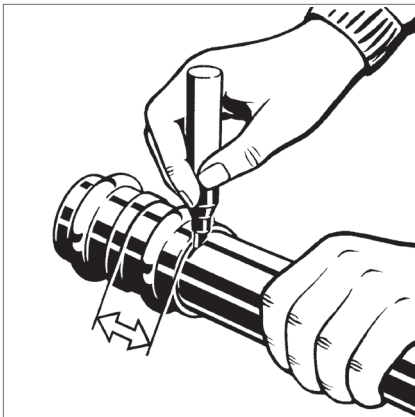
Table 31: Minimum insertion depths for ProPress Stainless 1/2" to 2"

No-stop couplings and extended no-stop couplings are often used to conduct repairs. Without a stop, these couplings can slide completely onto a tube and allow a connection to be made in tighter spaces. Unlike fittings with an integrated stop that have a minimum insertion depth, no-stop couplings have minimum and maximum allowable insertion depths. Both the minimum and the maximum insertion depths must be marked and a line connecting the two marks.



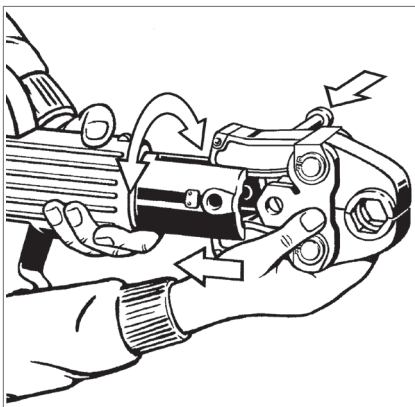
Tube Diameter (inches)	Minimum Insertion Depth (inches)	Minimum Insertion Depth (mm)	Maximum Insertion Depth (inches)	Maximum Insertion Depth (mm)
1/2	3/4	19	7/8	22
3/4	7/8	23	1 1/8	28
1	7/8	23	1 1/8	28
1 1/4	1	26	1 3/16	30
1 1/2	1 7/16	37	1 9/16	40
2	1 9/16	40	1 3/4	44

Table 32: Insertion depths for ProPress Stainless 1/2" to 2" no-stop couplings

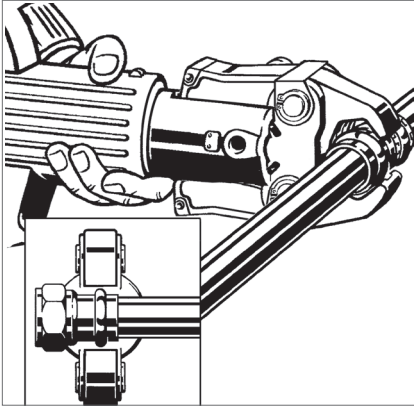


- While turning slightly, slide press fitting onto the tube to the marked insertion depth.

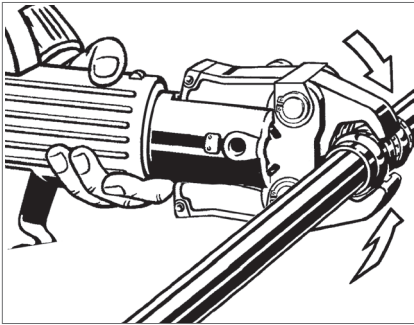
Note: End of tube must contact stop.



- Pull retaining pin out of press tool.
- Insert appropriate jaw.
- Push in retaining pin until it locks the jaw in place.



- Open the jaw and place at right angle on the fitting.
- Look at insertion depth mark on the tube to make sure that the tube is properly inserted into the fitting.

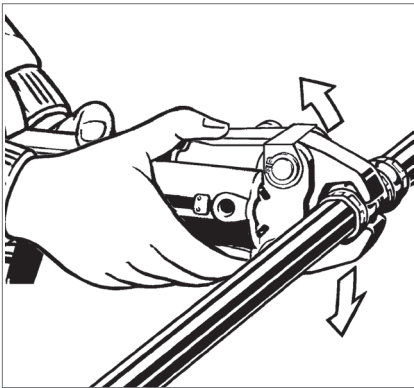


- Hold trigger on press tool until press jaws have fully engaged the fitting. Jaws will automatically release after a full press is made.



WARNING!

Keep extremities and foreign objects away from press tool during pressing operation to prevent injury or incomplete press.



- After pressing, open the jaws.
- Remove the press tool.
- ▷ Fitting is securely pressed.

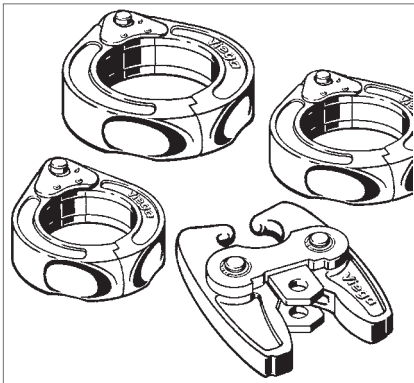
4.8.2 Viega ProPress Stainless 2½" to 4" Installation

For use with Viega stainless steel tubing in 2½ inches to 4 inches.



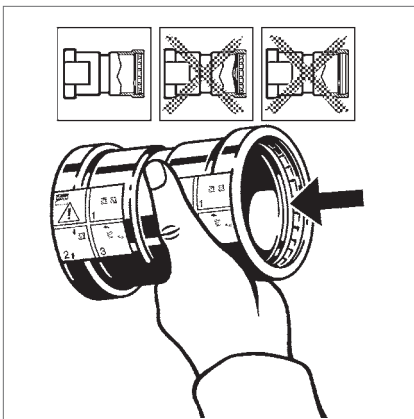
WARNING!

Read and understand all instructions for installing Viega ProPress Stainless 2½" to 4" fittings. Failure to follow all instructions may result in extensive property damage, serious injury, or death.



Use only rings that are compatible with ProPress 2½" to 4" fittings.

- Use of incompatible rings will result in an improper connection.
- Do not mix actuators and rings from different manufacturers.
- Do not use rings intended for XL Bronze fittings.



- Check the sealing element, separator ring, and grip ring for correct fit:
 - The tube end is not bent or damaged.
 - The tube is deburred.
 - The correct sealing element is in the fitting.

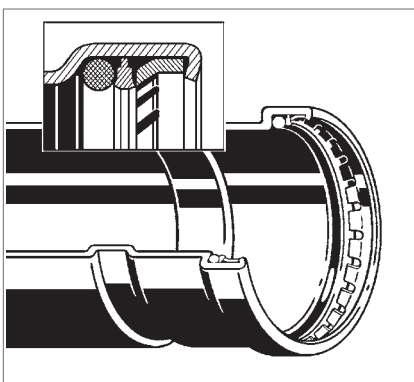
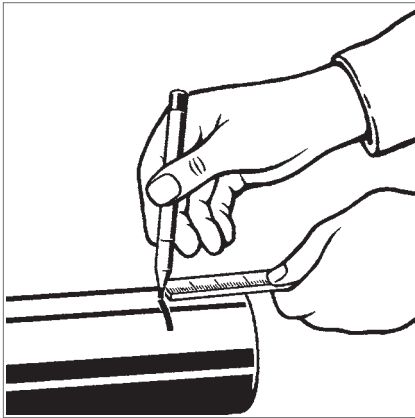


Illustration demonstrates proper fit of grip ring, separator ring, and sealing element.



- Measure insertion depth (see table below).
- Mark the proper insertion depth on the outside of the tube.



Improper insertion depth

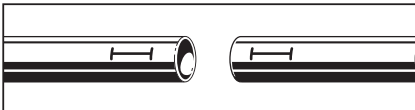
Improper insertion depth may result in an improper seal.

- Be sure to mark the correct insertion depth on the tube before pressing the fitting.

Tube Diameter (inches)	Insertion Depth (inches)
2½	1 1/16
3	1 15/16
4	2 3/8

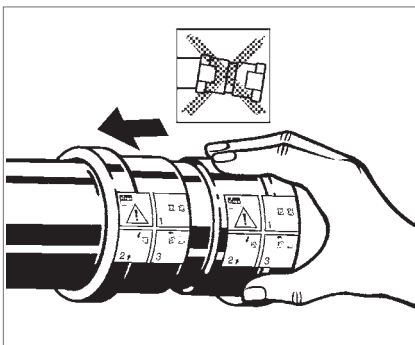
Table 33: Minimum insertion depths ProPress Stainless 2½" to 4"

No-stop couplings and extended no-stop couplings are often used to conduct repairs. Without a stop, these couplings can slide completely onto a tube and allow a connection to be made in tighter spaces. Unlike fittings with an integrated stop that have a minimum insertion depth, no-stop couplings have minimum and maximum allowable insertion depths. Both the minimum and the maximum insertion depths must be marked with a line connecting the two marks.



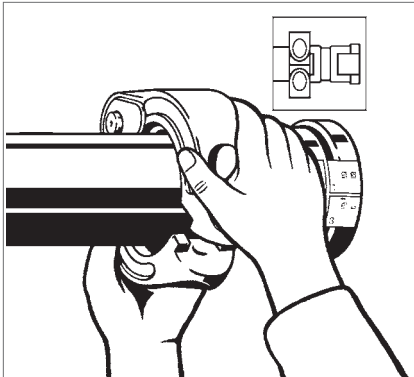
Tube Diameter (inches)	Minimum In- sertion Depth (inches)	Minimum In- sertion Depth (mm)	Maximum In- sertion Depth (inches)	Maximum In- sertion Depth (mm)
2½	1 1/16	43	2 3/8	67
3	1 15/16	50	2 15/16	75
4	2 3/8	60	3 7/16	87

Table 34: Insertion depths for ProPress Stainless 2½" to 4" no-stop couplings

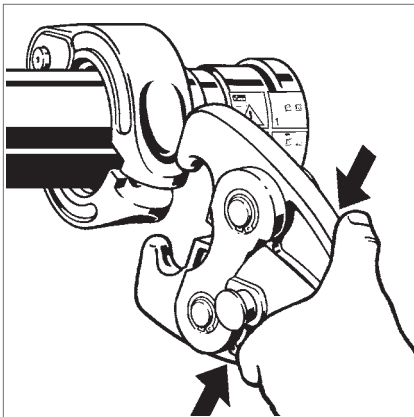


- While turning slightly, slide fitting onto the tube to marked insertion depth.

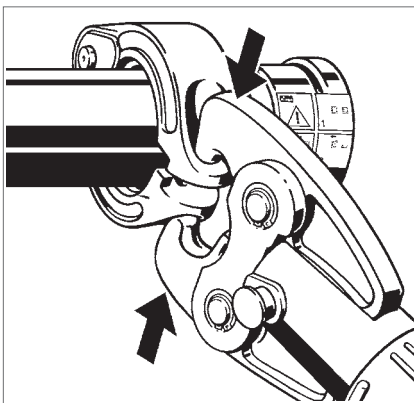
Note: End of tube must contact stop.



- Open XL-C ring and place at right angles on the fitting.
- Ensure that the XL-C ring is engaged on the fitting bead.



- With V2 actuator inserted into the press tool, open the V2 actuator.
- Connect the V2 actuator to the XL-C ring.
- Look at insertion depth mark on the tube to make sure that the tube is properly inserted into the fitting.

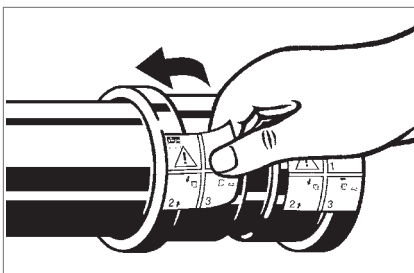


- Hold the trigger until the actuator has engaged the XL-C ring.



WARNING!

Keep extremities and foreign objects away from XL-C ring and V2 actuator during pressing operation to prevent injury or incomplete press.



- Upon completion of the press, release the V2 actuator from XL-C ring.
- Remove the XL-C ring from fitting.
- Remove product instruction label from fitting to indicate that press has been completed.

4.9 Pressure Testing

Viega Smart Connect technology provides a quick and easy way for installers to identify connections that need to be pressed. Unpressed connections are located by pressurizing the system with air or water.

Pressure test all installed tubing in accordance with local codes.



Smart Connect Testing

- Testing for unpressed connections using Smart Connect is not a replacement for pressure testing requirements of local codes and standards.
- If testing with compressed air, use an approved leak-detect solution.

Water testing with Viega Smart Connect:

- Use a range of 15 to 85 psi.
- If an unpressed fitting is found, make sure the tube is fully inserted before completing the press.
- If the initial test is successful, system may be pressure tested as required up to 600 psi.

Testing with air can be dangerous at high pressures. When air testing with Viega Smart Connect:

- Use a range of ½ psi to 45 psi (static or dynamic).
- If an unpressed fitting is found, make sure the tube is fully inserted before completing the press.
- If the initial test is successful, system may be pressure tested as required up to 200 psi (static).

4.10 Disposal

Separate the product and packaging materials (e.g. paper, metal, plastic, non-ferrous metals) and dispose in accordance with all national, state, and regional requirements.

5 Limited warranty

5.1 Limited Warranty for Viega ProPress Fittings and Valves

Subject to the conditions and limitations in this Limited Warranty, Viega LLC (VIEGA) warrants to wholesalers and licensed plumbing and mechanical contractors in the United States and Canada that its ProPress fittings, when properly installed in non-industrial and non-marine applications and under normal conditions of use, will be free of failure from manufacturing defect for a period of fifty (50) years from date of installation and that its ProPress valves, when properly installed in non-industrial and non-marine applications and under normal conditions of use, will be free of failure from manufacturing defect for a period of two (2) years from date of installation.

Under this Limited Warranty, you only have a right to a remedy if the failure or leak resulted from a manufacturing defect in the products covered by this warranty and the failure or leak occurred during the warranty period. You do not have a remedy under this warranty and the warranty does not apply if the failure or any resulting damage is caused by (1) components other than those manufactured or sold by Viega; (2) not designing, installing, inspecting, or testing the ProPress fittings or valves in accordance with Viega's installation instructions in effect at the time of the installation; applicable code requirements; and accepted industry practice; (3) improper handling and protection of the product prior to and during installation, inadequate freeze protection, exposure to water pressures or temperatures or in applications outside acceptable operating conditions; (4) acts of nature such as, but not limited to, earthquakes, fire, flood, or lightning, or (5) external environmental causes, such as water quality variations, aggressive water, or other external chemical or physical conditions.

In the event of a leak or other failure of the parts covered by this warranty, it is the responsibility of the property owner to obtain and pay for repairs. Only if the warranty applies will Viega be responsible for the remedy under this warranty. The part or parts which you claim failed should be kept and Viega contacted by writing to the address below or telephoning 1-800-976-9819 within thirty (30) days after the leak or other failure and identifying yourself as having a warranty claim. You should be prepared to ship, at your expense, the product which you claim failed due to a manufacturing defect and document the date of installation. Within a reasonable time after receiving the product, Viega will investigate the reasons for the failure, which includes the right to inspect the product at Viega. Viega will notify you in writing of the results of its review.

In the event that Viega determines that the failure or leak as the result of a manufacturing defect in the part covered by this warranty and that this warranty applies, the EXCLUSIVE AND ONLY REMEDY under this

warranty shall be the reimbursement for repair and/or replacement of the part. VIEGA SHALL NOT BE LIABLE FOR ANY CONSEQUENTIAL OR OTHER DAMAGE (FOR EXAMPLE, WATER OR PROPERTY OR MOLD REMEDIATION) UNDER ANY LEGAL THEORY AND WHETHER ASSERTED BY DIRECT ACTION, FOR CONTRIBUTION OR INDEMNITY OR OTHERWISE.

THE ABOVE WARRANTY IS IN LIEU OF ALL OTHER WARRANTIES, EXPRESS OR IMPLIED, INCLUDING BUT NOT LIMITED TO THE IMPLIED WARRANTIES OF MERCHANTABILITY AND FITNESS FOR A PARTICULAR PURPOSE. If a limited warranty shall be found to apply, such warranty is limited to four years. Other than this Limited Warranty, Viega does not authorize any person or firm to create for it any other obligation or liability in connection with its products.

This Limited Warranty gives you specific legal rights and you also may have other rights which may vary from state to state. This warranty shall be interpreted and applied under the law of the state in which the product is installed and is intended as a Commercial Warranty.

5.2 Limited Warranty for Viega Metal Systems for Industrial Applications

Industrial applications are defined as non-residential and non-commercial applications not normally accessible to the general public, including manufacturing, mining, process or fabrication environments.

Subject to the terms and conditions of this Limited Warranty, Viega LLC (Viega) warrants to end users, installers and distribution houses that its Viega metal press products (Viega product) when properly installed in industrial applications shall be free from failure caused by manufacturing defects for a period of two (2) years from date of installation.

Under this Limited Warranty, you only have a right to a remedy if the failure or leak resulted from a manufacturing defect in the Viega product and the failure or leak occurs during the warranty period. You do not have a remedy under this warranty and the warranty remedy does not apply if the failure or any resulting damage is caused by (1) components other than those sold by Viega; (2) not designing, installing, inspecting, testing, or maintaining the Viega product in accordance with Viega's installation and product instructions in effect at the time of installation and other specifications and approvals applicable to the installation; (3) improper handling and protection of the Viega product prior to, during and after installation, inadequate freeze protection, or exposure to environmental or operating conditions not recommended for the application; or (4) acts of nature, such as, but not limited to earthquakes, fire, or weather damage. Final approval as to use compatibility to a specific process or fluid application is the responsibility of the engineer of record or responsible design/facilities personnel and this Limited Warranty only applies to manufacturing defects in the Viega Product.

In the event of a leak or other failure in the Viega product covered by this warranty, it is the responsibility of the end user to take appropriate measures to diminish any damage, to include making timely repairs. Only if the warranty applies will Viega be responsible for the remedy under this warranty. The part or parts which you claim failed should be kept and Viega contacted by writing to the address below or telephoning 1-800-976-9819 within thirty (30) calendar days after the leak or other failure and identifying yourself as having a warranty claim. You should be prepared to ship, at your expense, the product which you claim failed due to a manufacturing defect, document the date of installation, and the amount of the repair or replacement if performed by you. Within a reasonable time after receiving the product, Viega will investigate the reasons for the failure, which includes the right to inspect the product at a Viega location and reasonable access to the site of damage. Viega will notify you in writing as to the results of its review.

In the event that Viega determines that the failure or leak was the result of a manufacturing defect in the Viega Product covered by this warranty and to which this warranty applies, the EXCLUSIVE AND ONLY REMEDY under this warranty shall be the reimbursement for reasonable charges for repair or replacement of the Viega Product itself. VIEGA SHALL NOT BE LIABLE FOR CONSEQUENTIAL OR OTHER DAMAGE (FOR EXAMPLE, ECONOMIC LOSS, WATER OR PROPERTY OR MOLD REMEDIATION) UNDER ANY LEGAL THEORY AND WHETHER ASSERTED BY DIRECT ACTION, FOR CONTRIBUTION OR INDEMNITY OR OTHERWISE.

THE ABOVE WARRANTY IS IN LIEU OF ALL OTHER WARRANTIES, EXPRESS OR IMPLIED, INCLUDING, BUT NOT LIMITED TO, THE IMPLIED WARRANTIES OR ANY STATUTE OF LIMITATIONS RELATING TO SUCH WARRANTIES. Other than this Limited Warranty, Viega does not authorize any person or firm to create for it any other obligation or liability in connection with its products.

This Limited Warranty gives you specific legal rights and you also may have other rights which may vary from state to state. This warranty shall be interpreted and applied under the law of the state in which the product is installed and is intended as a Commercial Warranty.

5.3 Limited Warranty for Viega Marine Applications

Marine applications are defined as mobile structures used to navigate water or stationary structures in water.

Subject to the terms and conditions of this Limited Warranty, Viega LLC (Viega) warrants to end users, installers and distribution houses that its Viega metal press products (Viega product) when properly installed in approved marine applications and other products sold by Viega LLC when properly installed in marine applications in accordance with our listings shall be free from failure caused by manufacturing defects for a period of two (2) years from date of installation. This warranty applies only to approved applications. Installations that are not approved shall not be covered by this warranty and shall not be the responsibility of Viega LLC.

Under this Limited Warranty, you only have a right to a remedy if the failure or leak resulted from a manufacturing defect in the Viega product and the failure or leak occurs during the warranty period. You do not have a remedy under this warranty and the warranty remedy does not apply if the failure or any resulting damage is caused by (1) components other than those sold by Viega; (2) not designing, installing, inspecting, testing, or maintaining the Viega product in accordance with Viega's installation and product instructions in effect at the time of installation and other specifications and approvals applicable to the installation; (3) improper handling and protection of the Viega product prior to, during and after installation, inadequate freeze protection, or exposure to environmental or operating conditions not recommended for the application; or (4) acts of nature, such as, but not limited to earthquakes, fire, or weather damage. Final approval as to use compatibility to a specific process or fluid application is the responsibility of the engineer of record or responsible design/facilities personnel and this Limited Warranty only applies to manufacturing defects in the Viega Product.

In the event of a leak or other failure in the Viega product covered by this warranty, it is the responsibility of the end user to take appropriate measures to diminish any damage, to include making timely repairs. Only if the warranty applies will Viega be responsible for the remedy under this warranty. The part or parts which you claim failed should be kept and Viega contacted by writing to the address below or telephoning 1-800-976-9819 within thirty (30) calendar days after the leak or other failure and identifying yourself as having a warranty claim. You should be prepared to ship, at your expense, the product which you claim failed due to a manufacturing defect, document the date of installation, and the amount of the repair or replacement if performed by you. Within a reasonable time after receiving the product, Viega will investigate the reasons for the failure, which includes the right to inspect the product at a Viega location and reasonable access to the site of damage. Viega will notify you in writing as to the results of its review.

In the event that Viega determines that the failure or leak was the result of a manufacturing defect in the Viega Product covered by this warranty and to which this warranty applies, the EXCLUSIVE AND ONLY REMEDY

under this warranty shall be the reimbursement for reasonable charges for repair or replacement of the Viega Product itself. VIEGA SHALL NOT BE LIABLE FOR CONSEQUENTIAL OR OTHER DAMAGE (FOR EXAMPLE, ECONOMIC LOSS, WATER OR PROPERTY OR MOLD REMEDIATION) UNDER ANY LEGAL THEORY AND WHETHER ASSERTED BY DIRECT ACTION, FOR CONTRIBUTION OR INDEMNITY OR OTHERWISE.

THE ABOVE WARRANTY IS IN LIEU OF ALL OTHER WARRANTIES, EXPRESS OR IMPLIED, INCLUDING, BUT NOT LIMITED TO, THE IMPLIED WARRANTIES OR ANY STATUTE OF LIMITATIONS RELATING TO SUCH WARRANTIES. Other than this Limited Warranty, Viega does not authorize any person or firm to create for it any other obligation or liability in connection with its products.

This Limited Warranty gives you specific legal rights and you also may have other rights which may vary from state to state. This warranty shall be interpreted and applied under the law of the state in which the product is installed and is intended as a Commercial Warranty.

> Viega LLC
585 Interlocken Blvd.
Broomfield, CO 80021

Phone (800) 976-9819
www.viega.us

©2020, Viega®, FostaPEX®, GeoFusion®, ManaBloc®, MegaPress®, ProPress®, SeaPress®, Smart Connect®, Climate Mat®, Climate Panel®, Climate Trak®, PureFlow®, XL®, XL-C®, Visign®, Visign for Style®, Visign for More®, Visign for Care®, Visign for Public®, Viega Eco Plus®, and Viega: Connected in quality® are trademarks of Viega Holding GmbH & Co. KG. Eco Brass® is a registered trademark of Mitsubishi Shindoh Co., LTD. RIDGID® is a registered trademark of RIDGID, Inc. LoopCAD® is a registered trademark of Avenir Software Inc. Radel® R is a registered trademark of Solvay Advanced Polymers, LLC. LEED® is a registered trademark of the U.S. Green Building Council®.

