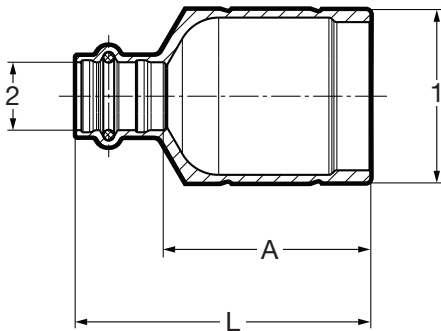
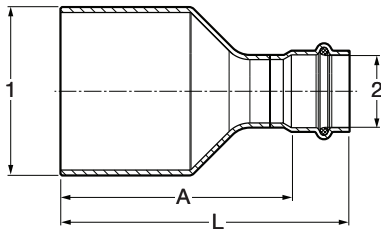
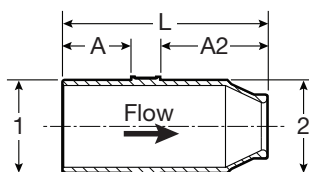


**Viega ProPress Reducer Zero Lead Bronze FTG x P - Model 2915.1ZL**


Part No.	Size (in)	A (in)	L (in)
	1 2		
79850	1½ x ½	1.95	2.78
79855	2 x ½	2.38	3.21
79860	2 x ¾	2.42	3.33

**Viega ProPress Reducer FTG x P - Model 0915.1XL**


Part No.	Size (in)	A (in)	L (in)
	1 2		
20814	2½ x 1	3.61	4.52
20815	2½ x 1¼	3.47	4.51
20813	2½ x 1½	3.41	4.84
20758	2½ x 2	2.35	3.94
20817	3 x 1¼	3.96	5.00
20818	3 x 1½	3.91	5.34
20763	3 x 2	2.98	4.57
20768	3 x 2½	2.76	4.45
20773	4 x 2	4.58	6.17
20778	4 x 2½	4.45	6.15
20783	4 x 3	4.17	6.14

**Viega ProPress Venturi Insert Zero Lead Bronze - Model 2911.5ZL**


Part No.	Size (in)	A (in)	A2 (in)	L (in)
	1 2			
78810	1¼ x 1¼	1.02	1.60	3.07
78811	1½ x 1½	1.43	2.10	3.98
78812	2 x 2	1.58	2.45	4.48