

## Dimensional Document

### Viega ProPress® Fittings\*

\*Viega ProPress 2½" to 4" formerly ProPress XL-C

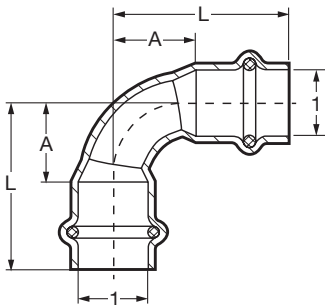


This document is subject to updates. For the most current Viega technical literature please visit [www.viega.us](http://www.viega.us).



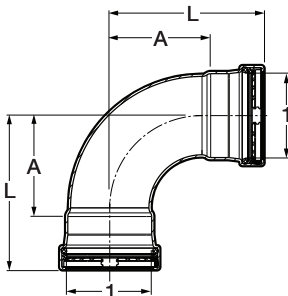
Viega products are designed to be installed by licensed and trained plumbing and mechanical professionals who are familiar with Viega products and their installation. **Installation by non-professionals may void Viega LLC's warranty.**

#### Viega ProPress 90° Elbow Copper P x P - Model 2916

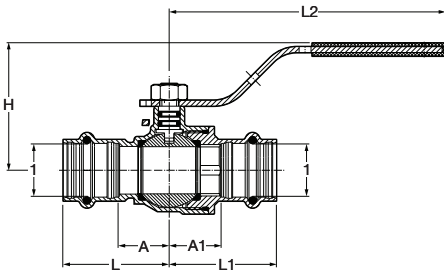


Part No.	Size (in)	A (in)	L (in)
	1 1		
77317	½ x ½	0.75	1.50
77022	¾ x ¾	0.76	1.67
77027	1 x 1	1.28	2.19
77032	1¼ x 1¼	1.28	2.31
77037	1½ x 1½	1.29	2.72
77042	2 x 2	2.16	3.74

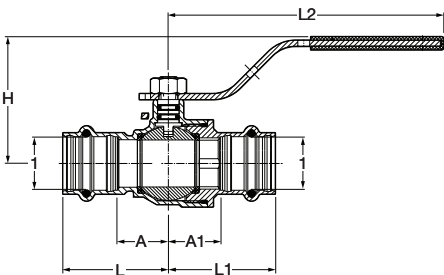
#### Viega ProPress 90° Elbow P x P - Model 0916XL



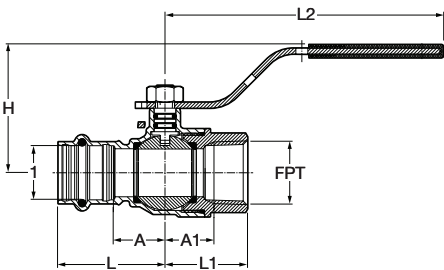
Part No.	Size (in)	A (in)	L (in)
	1 1		
20623	2½ x 2½	3.19	4.88
20628	3 x 3	3.76	5.73
20633	4 x 4	4.90	7.26

**Viega ProPress Ball Valve Zero Lead Bronze P x P - Model 2971.1ZL**


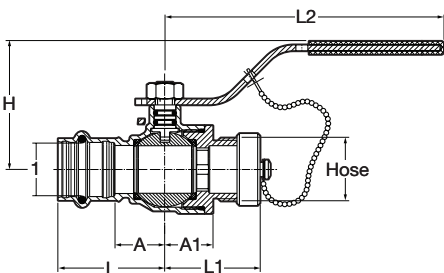
Part No.	Size		A (in)	A1 (in)	L (in)	L1 (in)	L2 (in)	H (in)
	1	1						
79920	1/2	1/2	0.75	0.75	1.57	1.57	4.57	1.97
79925	3/4	3/4	0.85	0.87	1.75	1.77	4.57	2.09
79930	1	1	1.02	1.06	1.93	1.96	5.75	2.46
79935	1 1/4	1 1/4	1.14	1.12	2.17	2.15	5.75	2.67
79940	1 1/2	1 1/2	1.46	1.25	2.87	2.67	6.12	3.02
79950	2	2	1.73	1.47	3.31	3.05	6.12	3.32

**Viega ProPress Ball Valve Zero Lead Bronze P x P - Model 2971.3ZL**


Part No.	Size		A (in)	A1 (in)	L (in)	L1 (in)	L2 (in)	H (in)
	1	1						
79923	1/2	1/2	0.75	0.75	1.57	1.57	4.57	1.97
79928	3/4	3/4	0.85	0.87	1.75	1.77	4.57	2.09
79933	1	1	1.02	1.06	1.93	1.96	5.75	2.46
79938	1 1/4	1 1/4	1.14	1.12	2.17	2.15	5.75	2.67
79943	1 1/2	1 1/2	1.46	1.25	2.87	2.67	6.12	3.02
79948	2	2	1.73	1.47	3.31	3.05	6.12	3.32

**Viega ProPress Ball Valve Zero Lead Bronze P x FPT - Model 2971.4ZL**


Part No.	Size		A (in)	A1 (in)	L (in)	L1 (in)	L2 (in)	H (in)
	1	x FPT						
79970	1/2	1/2	0.73	0.66	1.57	1.20	4.57	1.97
79975	3/4	3/4	0.85	0.79	1.75	1.35	4.57	2.09
79980	1	1	1.02	0.98	1.93	1.63	5.75	2.46

**Viega ProPress Ball Valve Zero Lead Bronze P x Hose - Model 2971.6ZL**


Part No.	Size		A (in)	A1 (in)	L (in)	L1 (in)	L2 (in)	H (in)
	1	x Hose						
79875	1/2	x 3/4 GH	0.75	0.79	1.57	1.56	4.57	1.99
79876	3/4	x 3/4 GH	0.85	0.79	1.75	1.56	4.57	2.10