

## Dimensional Document

# Viega ProPress® Fittings\*

\*Viega ProPress 2½" to 4" formerly ProPress XL-C

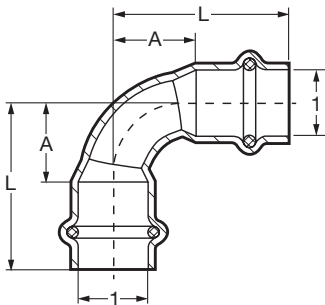


This document is subject to updates. For the most current Viega technical literature please visit [www.viega.us](http://www.viega.us).



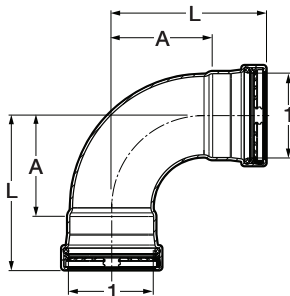
Viega products are designed to be installed by licensed and trained plumbing and mechanical professionals who are familiar with Viega products and their installation. **Installation by non-professionals may void Viega LLC's warranty.**

### Viega ProPress 90° Elbow Copper P x P - Model 2916

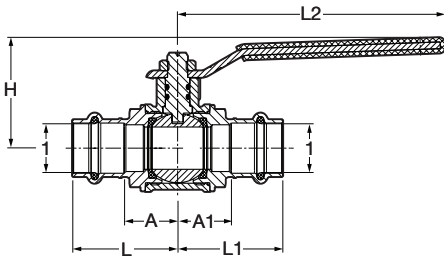


Part No.	Size (in)	A (in)	L (in)
	1 1		
77317	½ x ½	0.75	1.50
77022	¾ x ¾	0.76	1.67
77027	1 x 1	1.28	2.19
77032	1¼ x 1¼	1.28	2.31
77037	1½ x 1½	1.29	2.72
77042	2 x 2	2.16	3.74

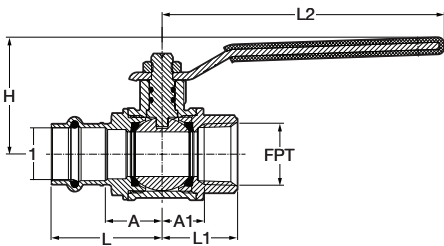
### Viega ProPress 90° Elbow P x P - Model 0916XL



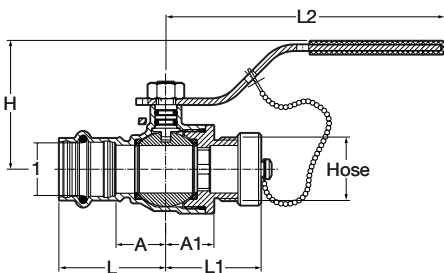
Part No.	Size (in)	A (in)	L (in)
	1 1		
20623	2½ x 2½	3.19	4.88
20628	3 x 3	3.76	5.73
20633	4 x 4	4.90	7.26

**Viega ProPress Ball Valve Bronze/Brass P x P - Model 2973**


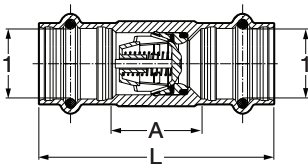
Part No.	Size (in)		A (in)	A1 (in)	L (in)	L1 (in)	L2 (in)	H (in)
	1	1						
24000	1/2	1/2	0.83	0.83	1.58	1.58	3.94	1.69
24005	3/4	3/4	0.95	0.95	1.86	1.86	4.72	1.97
24010	1	1	1.18	1.18	2.09	2.09	4.72	2.13
24015	1 1/4	1 1/4	1.29	1.29	2.31	2.31	6.22	2.87
24020	1 1/2	1 1/2	1.39	1.39	2.81	2.81	6.22	3.11
24025	2	2	1.85	1.85	3.43	3.43	6.22	3.46

**Viega ProPress Ball Valve Bronze/Brass P x FPT - Model 2973.1**


Part No.	Size (in)		A (in)	A1 (in)	L (in)	L1 (in)	L2 (in)	H (in)
	1	FPT						
24030	1/2	1/2	0.83	0.63	1.58	1.16	3.94	1.69
24035	3/4	3/4	0.95	0.70	1.86	1.26	4.72	1.97
24040	1	1	1.18	0.93	2.09	1.59	4.72	2.13

**Viega ProPress Ball Valve Bronze/Brass P x Hose - Model 2973.3**


Part No.	Size (in)		A (in)	A1 (in)	L (in)	L1 (in)	L2 (in)	H (in)
	1	Hose						
24090	1/2	3/4	0.83	0.85	1.58	1.30	3.89	1.67
24095	3/4	3/4	0.95	0.94	1.86	1.39	4.72	1.97

**Viega ProPress Check Valve Zero Lead Bronze P x P - Model 2974ZL**


Part No.	Size		A (in)	L (in)
	1	1		
79035	1/2	1/2	0.87	2.52
79040	3/4	3/4	1.14	2.95
79045	1	1	1.34	3.15
79050	1 1/4	1 1/4	1.69	3.74
79055	1 1/2	1 1/2	2.09	4.92
79060	2	2	2.56	5.71