

Dimensional Document

Viega ProPress® Fittings*

*Viega ProPress 2½" to 4" formerly ProPress XL-C

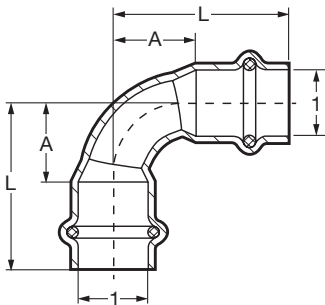


This document is subject to updates. For the most current Viega technical literature please visit www.viega.us.



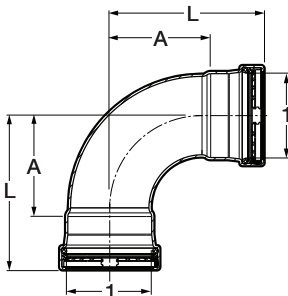
Viega products are designed to be installed by licensed and trained plumbing and mechanical professionals who are familiar with Viega products and their installation. **Installation by non-professionals may void Viega LLC's warranty.**

Viega ProPress 90° Elbow Copper P x P - Model 2916



Part No.	Size (in)	A (in)	L (in)
	1 1		
77317	½ x ½	0.75	1.50
77022	¾ x ¾	0.76	1.67
77027	1 x 1	1.28	2.19
77032	1¼ x 1¼	1.28	2.31
77037	1½ x 1½	1.29	2.72
77042	2 x 2	2.16	3.74

Viega ProPress 90° Elbow P x P - Model 0916XL



Part No.	Size (in)	A (in)	L (in)
	1 1		
20623	2½ x 2½	3.19	4.88
20628	3 x 3	3.76	5.73
20633	4 x 4	4.90	7.26