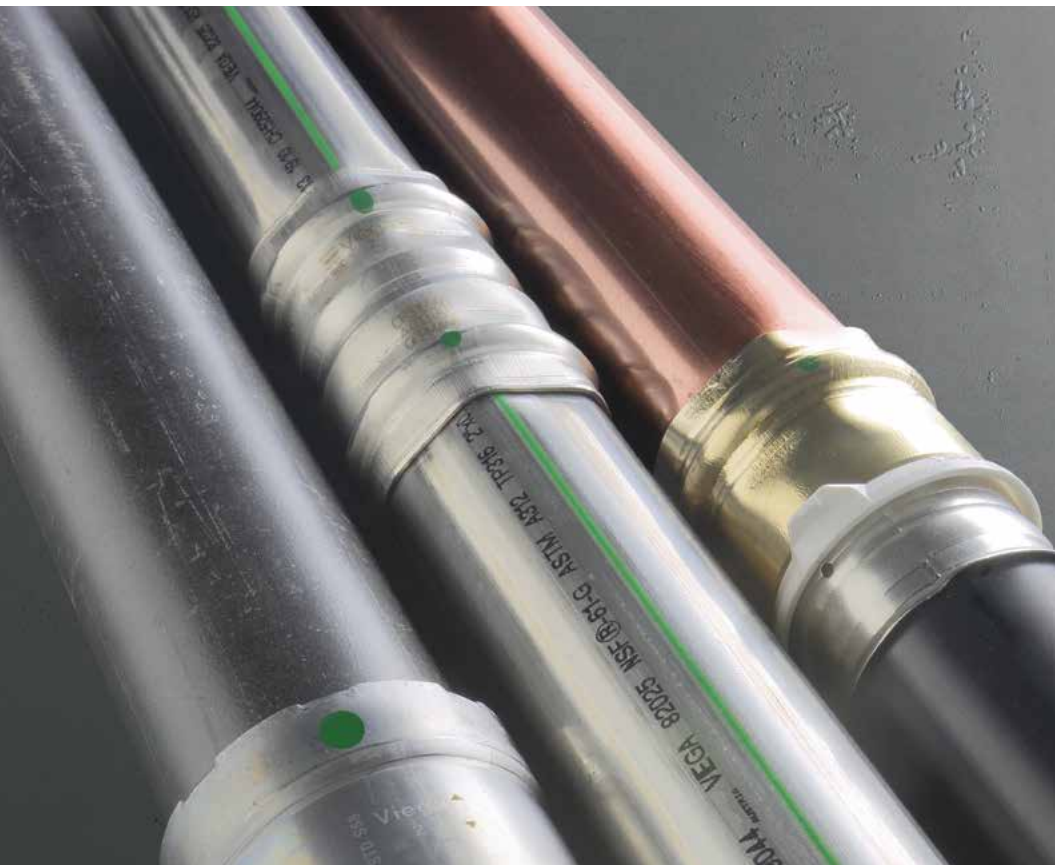


Viega Metals Solutions

**Viega ProPress and
MegaPress Systems**





viega

The Viega standard of excellence demands perfection in every product we engineer. No matter the product, you can trust that a Viega system won't let you down. Viega system solutions are engineered, manufactured, designed and tested time and again because we know true quality means not compromising on what matters – standards, reliability and performance.

Whether you're installing a potable water system or a corrosive chemical line, Viega offers a system solution that is engineered and easy to install. Viega is the only manufacturer with press systems in multiple pipe joining materials, whether copper nickel, stainless or carbon steel, and our systems are approved for use in the largest range of applications.

FEATURES + BENEFITS



Many Viega products can be pressed in just seconds, a significant time savings over traditional joining methods. There's no wait time for curing or drying, so pressure tests can be performed immediately.



Viega press fittings are simpler and safer to install than traditional methods. Installations can be made anywhere, in any condition. Unlike grooved and threaded connections, you don't have to jeopardize the integrity of the pipe wall to get the dependable connection you need.



With Viega's Smart Connect® technology, you'll know every connection is made correctly. Smart Connect helps easily identify unpressed connections, so if one was missed it's easy to locate and press without having to drain the system.



Viega is a trusted leader in press technology, so build with confidence. With a heritage of engineering press fittings for a variety of materials and strict quality control, you'll know you're getting the very best when you choose Viega.



With no welding or soldering flames, fire watches are unnecessary. That means there's no need for additional manpower, plus you can skip the messy or labor-intensive tools.

Viega MegaPress Systems

CLEAN, SAFE, SECURE CARBON STEEL CONNECTIONS



The first press fittings for carbon steel hydronic and gas systems

You can do more with the Viega MegaPress system. Whether using MegaPress for hydronic applications or MegaPressG for gas applications in carbon steel pipe, Viega MegaPress is flameless and eliminates heavy equipment and messy joining materials.

Viega MegaPress fittings can be installed without fully draining a system before making connections. Viega MegaPress is ideal for new installations or for repairs on existing systems.

Suitable for use with Schedule 5 to Schedule 40 carbon steel pipe, the Viega MegaPress system includes more than 400 different engineered fitting configurations ranging in size from ½" to 2". MegaPress is approved for more applications than any other carbon steel press fitting system and makes secure connections you can trust.

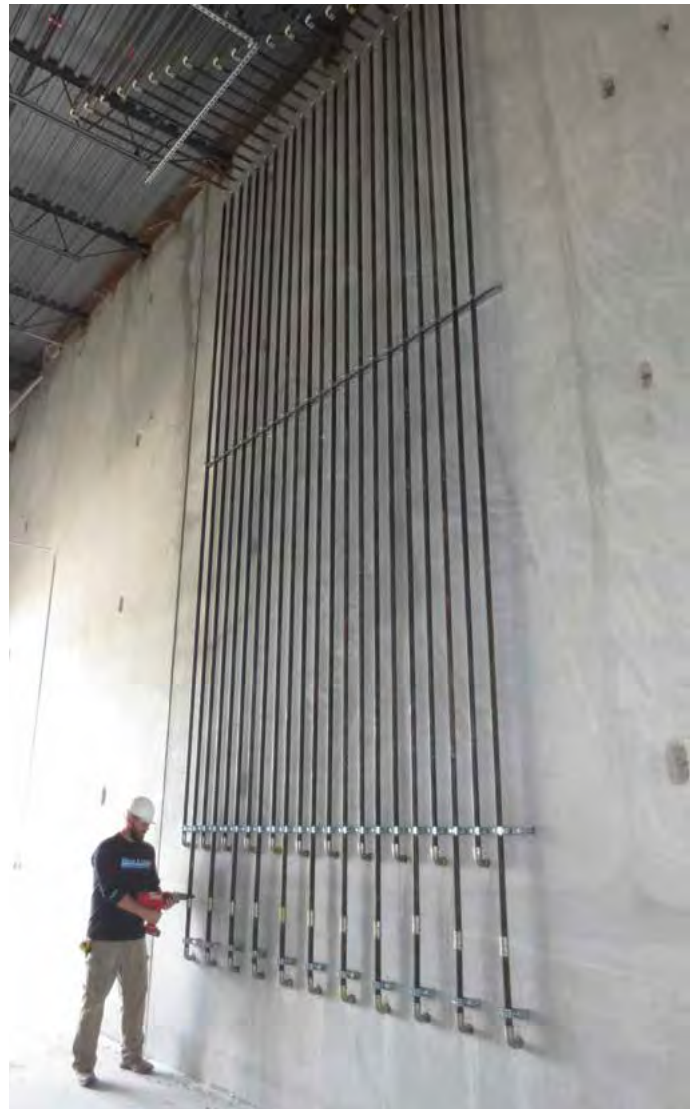
Make larger carbon steel press connections with Viega's MegaPress FKM fittings. The MegaPress FKM line is an extension of Viega MegaPress, allowing connections on pipe from ½" to 4". These fittings are great for higher temperature applications thanks to the FKM sealing element. Make press connections using the MegaPress XL PressBooster, specially designed to make the 2½" to 4" connections.

MegaPressG fittings, with an HNBR sealing element, are available in sizes ½" to 4" and are perfect for a variety of oil and fuel gas applications.

Designed for Iron Pipe Size (IPS) stainless steel, Viega MegaPress Stainless fittings are available in 304 and 316 stainless steel. With the option for EPDM or FKM sealing elements, MegaPress Stainless offerings make efficient connections possible for more applications than ever before.

"We figure that using Viega saved us at least two weeks, being able to just cut the pipe and press. It looks very professional. You can plumb it straight and square. It's so much faster and so much better."

– Bryce Mannek, President,
Blue Line Plumbing and Mechanical



Viega MegaPress

SAVE TIME, LABOR AND CLEANUP

Ideal for industrial, commercial and residential applications, the Viega MegaPress system is easy to use, flameless and reliable. The system performs well in both new installations and retrofit projects. MegaPress leaves no joining material buildup, exposed threads or tarnish, creating a clean, professional appearance.

Choose the MegaPress line that's right for the project and application. MegaPress comes with an EPDM sealing element, while MegaPressG has an HNBR sealing element. FKM sealing elements are available in MegaPress fittings as well as MegaPress 304 or MegaPress 316 stainless fittings. MegaPress 316 is also available with an EPDM sealing element. MegaPress CuNi is a 90/10 copper nickel alloy for marine and industrial applications and has an FKM sealing element.

MegaPress system applications:

- Chilled water
- Compressed air
- Fire protection
- Fuel oil
- Hydronic heating
- Low-pressure steam
- Natural gas
- Vacuum (to 29.2 in. Hg)
- Acetone
- Diesel fuel
- Vegetable oils
- Engine oils
- Gear grease
- Hydraulic fluid
- Transmission fluid
- Nitrogen
- Argon
- Carbon dioxide

Approved applications depend on alloy and sealing element. For more specific information on applications for Viega MegaPress, contact Viega Technical Services at (800) 976-9819.

For a list of applications, please visit viega.us.



Viega MegaPress



Viega MegaPressG

Viega carbon steel

FIRE PROTECTION YOU CAN COUNT ON



Viega MegaPress CuNi



Viega MegaPress is UL and FM certified for fire protection applications in sizes ½" to 2". As with other Viega press systems, Viega MegaPress fittings can be used in pre-fabricated assemblies, producing a straight, clean installation. And with Smart Connect technology, installers can verify that all fittings in pre-fabbed assemblies are secure.

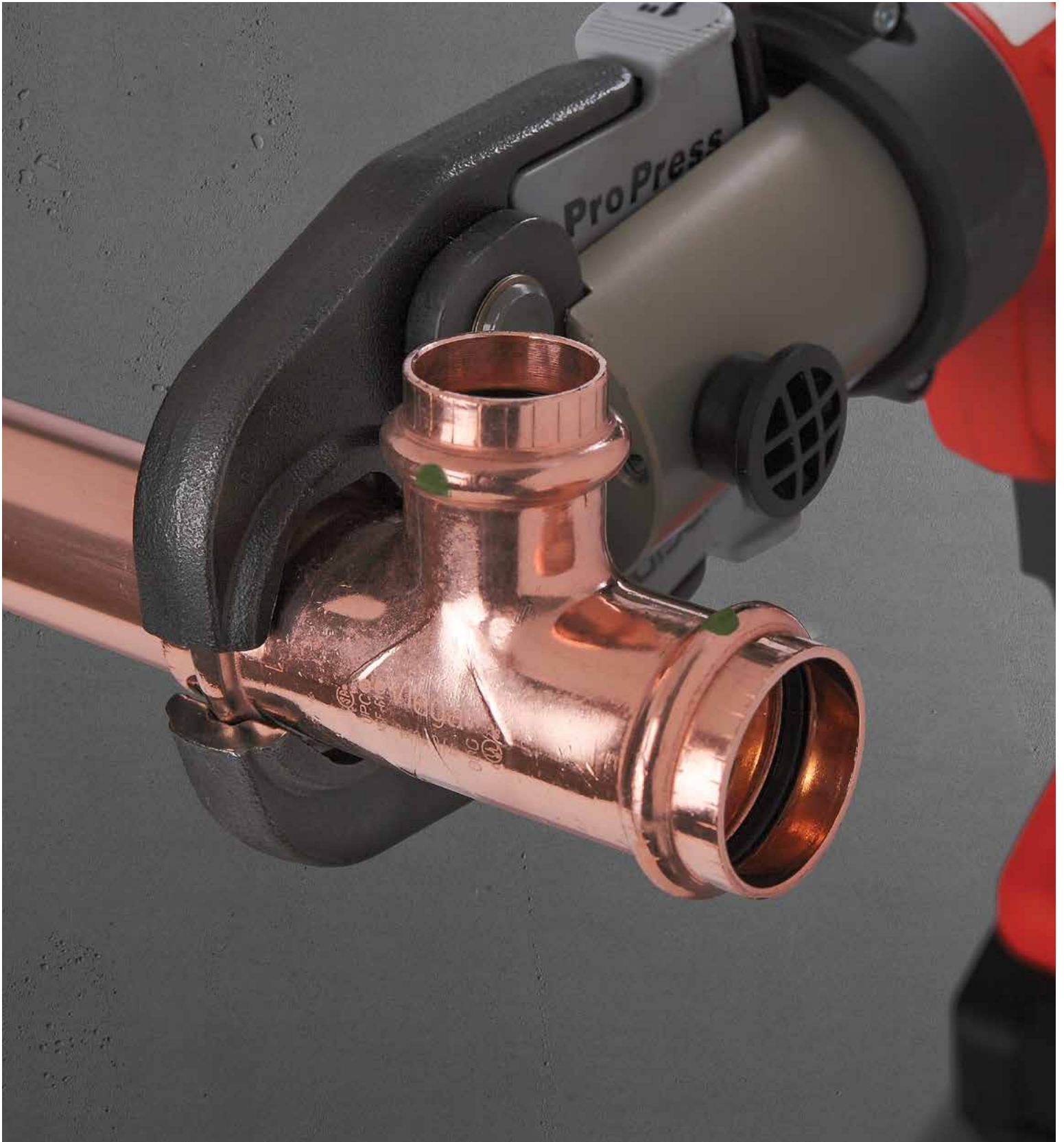


Viega MegaPress Stainless



Viega ProPress Systems

THE INDUSTRY LEADER IN PRESS CONNECTIONS



Solutions for copper and stainless systems

Viega was the first to offer press joining systems in multiple materials in North America, the first to offer a proven method to verify secure connections and the first to offer the same time-saving press technology in multiple materials.

Since its introduction in 1999, ProPress has reduced overall job costs, saved time and increased reliability on jobsites across the globe. ProPress has more than 800 fittings in multiple configurations for copper and stainless. It's approved for nearly 1,000 different applications. Press technology can decrease labor time by up to five times, compared to other installation methods. Press is also flameless, so there's no need for burn permits and fire watch like with sweating or brazing. ProPress is offered in copper, Zero Lead bronze, and 304 and 316 stainless steel. Copper, Zero Lead bronze and 316 stainless come with a factory-installed EPDM sealing element in sizes ½" to 4". Exchangeable FKM sealing elements in ½" to 4" and HNBR sealing elements in ½" to 2" are also available. ProPress 304 stainless steel comes standard with an FKM sealing element.



“It was almost inconceivable that we could accomplish this schedule without the advantages of ProPress to speed it up overall. It cannot be overstated, the benefit we have in taking advantage of ProPress on our project, especially given the time we had.”

– John Thomas, Senior Project Manager, Layton Construction

Viega ProPress

THE RECOGNIZED LEADER IN COPPER PRESS TECHNOLOGY

Viega ProPress is the proven solution for nearly any industrial, commercial or residential project. With three choices in sealing elements, Viega ProPress systems can be customized to suit nearly any application, from potable water to solar systems.

ProPress applications:

- Argon
- Carbon dioxide
- Chilled water
- Compressed air
- Cooling water
- Ethanol
- Fire protection
- Gray water
- Hydronic heating
- Kerosene
- Low-pressure steam
- Nitrogen
- Oxygen (non-medical)
- Potable water
- Vacuum (to 29.2 in. Hg)

For more specific information on applications for Viega ProPress, contact Viega Technical Services at (800) 976-9819.

For a list of applications, please visit viega.us.



Viega ProPress



Viega ProPress Stainless

COMPLETE STAINLESS SOLUTIONS FOR NEARLY ANY APPLICATION

Viega ProPress Stainless is engineered for harsh industrial environments where the piping systems may come into contact with corrosive cleaning liquids. Available in two grades of stainless steel, 304 and 316, ProPress Stainless provides reliable performance whether you need 316 stainless for a potable water line or 304 stainless for a corrosive chemical line.

ProPress Stainless applications:

- Acetone
- Acetylene
- Acids
- Ammonia
- Argon
- Caustic solutions and vent piping
- Chemical process lines
- Chilled water
- Compressed air
- Condensate
- Deionized water
- Diesel fuel
- Ethanol
- Fuel oil
- Greywater
- Hydrogen
- Hydronic heating
- Isopropyl alcohol
- Kerosene
- Low-pressure steam
- Lube oils
- Methanol
- Nitrogen
- Oxygen (non-medical)
- Sludge
- Steam condensate
- Toluene
- Urea
- Vacuum (to 29.2 in. Hg)

For more specific information on applications for Viega ProPress, contact Viega Technical Services at (800) 976-9819.

For a list of applications, please visit viega.us.



Viega ProPress 304



Viega ProPress 316

Viega Ball Valves

FOR CARBON STEEL, STAINLESS STEEL AND COPPER

Viega ball valves are engineered for press technology to fit seamlessly into Viega systems, whether they are for copper, stainless or carbon steel. Like all Viega products, ball valves have a flameless connection and provide time savings. They carry Smart Connect technology, which helps identify unpressed connections quickly during pressure testing.

MegaPress three-piece ball valves are perfect for a variety of industrial applications. With a 316 stainless body, the valves can be used on carbon or stainless steel pipe. The three-piece design allows for repair if needed. The valve features an ISO mounting pad and locking handle.

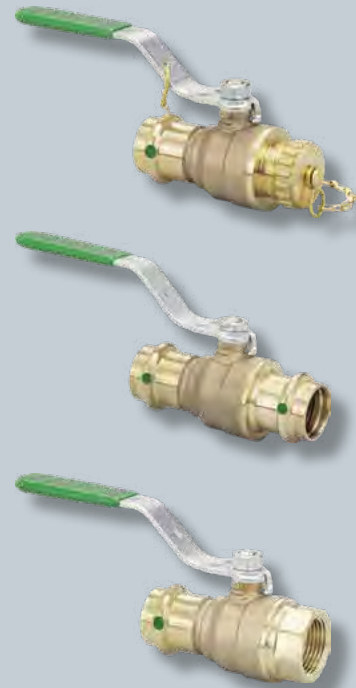
ProPress Stainless valves are made of 316 stainless steel and are available for potable and hydronic applications. In two- and three-piece configurations, stainless valves come in sizes ½" to 2".

Valves for copper systems are available for potable water and hydronic applications. They come in a variety of configurations including ball, check and butterfly. Zero Lead bronze valves are certified to NSF/ANSI 61 & 372 (includes Annex G), and were developed specifically with pressing in mind. Ball valves come in sizes ½" to 2".



Viega ProPress Ball Valve

Ball Valves for Copper



Choose the valve that works for you

- Available in varying sizes from ½" to 2"
- Four configurations available: P x P, P x P with stainless steel stem, P x FPT and P x Hose thread
- Standard 316 stainless steel ball
- Zero Lead bronze body and press connections

Approvals

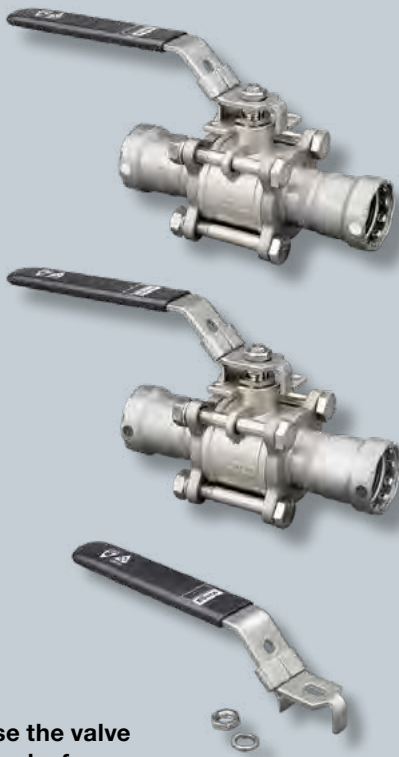
- Certified to ASME A112.4.14
 - IAPMO/ANSI Z1157
 - NSF®-61-372
 - NSF®-U.P. Code
- Listed by NSF to Commercial Hot

Ratings

- Temperature range: 0 – 250 °F
- Cold working pressure 250psi

Temperature ratings are dependent on sealing element and application. Reference the approved applications sheet for ProPress for more information.

Ball Valves for Carbon and Stainless Steel



Choose the valve that works for you

- Fast installation of valves with no adapters
- Available in ½" to 2":
 - Carbon steel with EPDM and FKM sealing elements
 - 304 stainless steel with FKM sealing element
 - 316 stainless steel with EPDM sealing element
- Cold press technology eliminates the need for fire watches or hot work permits
- No contamination caused by thread cutting oil or filings

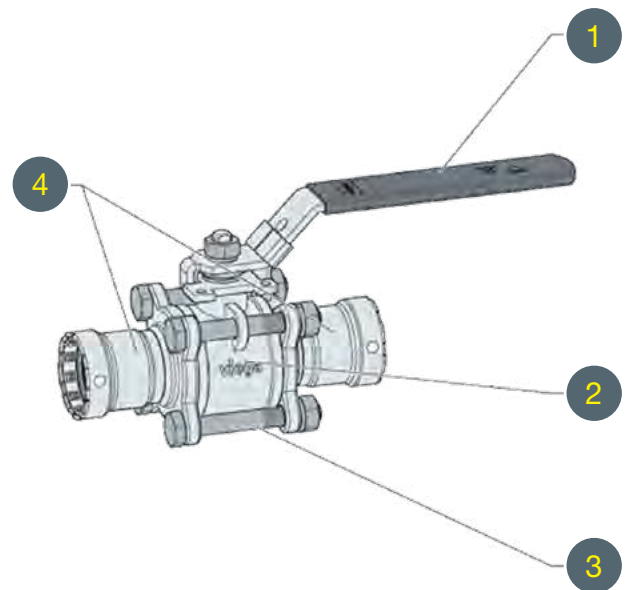
Approvals

- TSSA ASME B31
- IAPMO/ANSI Z1157
- NSF@-61-372
- NSF@-U.P. Code
Listed by NSF to Commercial Hot

Ratings

- Cold working pressure: 250 psi
- EPDM = 0 - 250 °F
- FKM = 14 - 284 °F (with temp spikes up to 356°F)

Temperature ratings are dependent on sealing element and application. Reference the approved applications sheet for MegaPress and MegaPress Stainless for more information.



COMPONENTS

1. Lockable lever handle, stainless steel 304
2. Body – stainless steel 316
3. Bolts – stainless steel 304
4. MegaPress Connections – multiple materials
 - Full port ball – stainless steel 316 (excludes 2")
 - Blowout-proof stem – stainless steel and PTFE



Viega MegaPress 3-Piece Ball Valve

Smart Connect technology

DESIGNED FOR PEACE OF MIND

Viega's Smart Connect technology is designed directly into the fitting, providing a reliable identification method. Smart Connect gives installers confidence that connections are made correctly, because unpressed connections are easily identified during pressure testing.

Identify an unpressed connection during pressure testing when water or air flows past the sealing element. Make the connection by using the press tool to press the fitting.

Smart Connect technology should be tested at 15 to 85 psi when testing with water, or 0.5 to 45 psi when testing with air. After ensuring that all connections have been correctly pressed, installers may increase the test pressure to full system test requirements.



“Another great advantage of Viega I really like is that the fittings are designed [with Smart Connect technology] so they won’t hold pressure if the fitting isn’t pressed. When you put air in the system, you know immediately if it’s installed correctly.”

– Nicholas Messenger, Owner, Kohler Fire Protection

Meeting the strictest standards

Viega ProPress and Viega MegaPress fittings have been tested to the strictest standards in North America. Viega ProPress in copper and two grades of stainless steel, 304 and 316, is suitable for nearly any application, from potable water in commercial projects to corrosive chemicals in industrial projects. Viega MegaPress in carbon or stainless steel can be installed in a variety of applications. Viega has solutions for all your industrial, commercial, residential and marine projects.

Approvals and certificates for North America



ASTM A240
ASTM A312
ASTM A403
ASTM A554



CRN – Canadian
Registration
Number



ASME B31.1
ASME B31.3
ASME B31.9



American
Bureau of
Shipping



UL



NSF/ANSI 61 & 372
Zero Lead
Components



FM

Viega ProPress and Viega MegaPress fitting systems are also compliant with the following:



ICC International
Plumbing Code



UPC Uniform
Plumbing Code



Uniform
Mechanical
Code



PHCC National
Standard
Plumbing Code

Contact your local Viega district manager for details on local approvals.

Choose from three versatile sealing options

With a variety of sealing elements, Viega ProPress systems are approved for more applications than any other press system, ranging from potable water to corrosive chemicals. A proven pipe joining method used around the world, Viega ProPress technology increases the benefits to installers and specifying engineers.

Viega fittings can be used with EPDM, HNBR or FKM sealing elements.



EPDM Sealing Element



HNBR Sealing Element



FKM Sealing Element



00658_EN_0320

Viega LLC

585 Interlocken Blvd.
Broomfield, CO 80021
USA

Phone (800) 976-9819

viega.us

This document is subject to updates. For the most current Viega literature please visit www.viega.us

The term Viega does not apply to a specific company within the various separate and distinct companies comprising the Viega group of companies. The term Viega as used in this publication refers to the Viega brand itself or generally to the Viega group of companies. References to activities in North America specifically refer to activities of Viega LLC.

A green dot on a Viega ProPress, MegaPress fitting indicates Smart Connect technology with an EPDM sealing element. A yellow dot on a Viega MegaPressG fitting indicates Smart Connect technology with an HNBR sealing element. A white dot on a Viega ProPress or MegaPress fitting indicates Smart Connect technology with an FKM sealing element. For a current list of applications, please visit www.viega.us/applications.

Zero Lead identifies Viega products meeting the lead-free requirements of NSF 61 through testing under NSF/ANSI 372 (0.25% or less maximum weighted average lead content).

©2020. Viega®, ProPress®, MegaPress®, SeaPress®, Smart Connect®, ManaBloc®, GeoFusion®, FostaPEX®, Radiant Wizard®, Climate Mat®, Climate Panel®, Climate Trak®, PureFlow®, Visign®, Visign for Style®, Visign for More®, Visign for Care® and Visign for Public® are registered trademarks of Viega GmbH & Co. KG. SmartLoop®, Viega Eco Plus® and Viega: Connected in quality® are registered trademarks of Viega Holding GmbH & Co. KG. Eco Brass® is a registered trademark of Mitsubishi Shindoh Co., LTD. RIDGID® is a registered trademark of RIDGID, Inc.

Eco Brass® is a registered trademark of Mitsubishi Shindoh Co., LTD.

