

Dimensional Document

Viega ProPress® Stainless Fittings

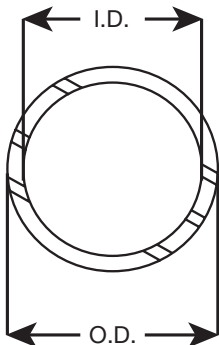


This document is subject to updates. For the most current Viega technical literature please visit www.viega.us.



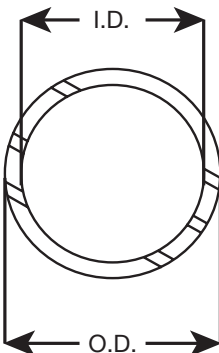
Viega products are designed to be installed by licensed and trained plumbing and mechanical professionals who are familiar with Viega products and their installation. **Installation by non-professionals may void Viega LLC's warranty.**

ProPress Stainless Pipe ASTM A312 - Models 0103 / 4003

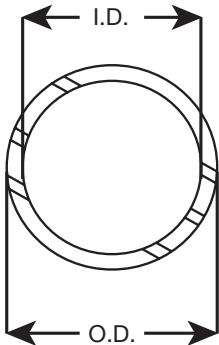


Part No.		Size (in)	O.D. (in)	I.D. (in)	Wall Thickness (in)	Length (ft)
304	316					
87000	82000	½	0.63	0.50	0.06	20
87005	82005	¾	0.88	0.75	0.06	20
87010	82010	1	1.13	1.00	0.06	20
87015	82015	1¼	1.38	1.26	0.06	20
87020	82020	1½	1.63	1.50	0.06	20
87025	82025	2	2.13	2.00	0.06	20

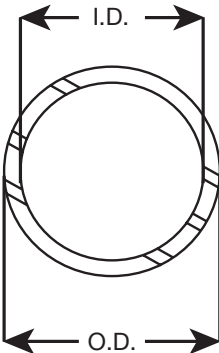
ProPress Stainless Pipe ASTM A312 - Models 0107XL / 4007XL



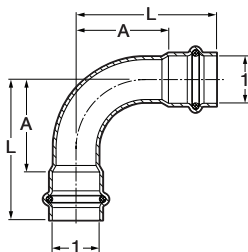
Part No.		Size (in)	O.D. (in)	I.D. (in)	Wall Thickness (in)	Length (ft)
304	316					
87095	82042	2½	2.63	2.47	0.08	20
87100	82050	3	3.13	2.97	0.08	20
87105	82055	4	4.13	3.97	0.08	20

ProPress 304 ECO Pipe ASTM A554 - Model 0108


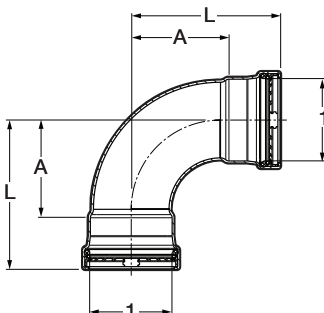
Part No.	Size (in)	O.D. (in)	I.D. (in)	Wall Thickness (in)	Length (ft)
304					
87050	1/2	0.63	0.55	0.04	20
87055	3/4	0.88	0.78	0.05	20
87060	1	1.13	1.03	0.05	20
87065	1 1/4	1.38	1.26	0.06	20
87070	1 1/2	1.63	1.51	0.06	20

ProPress 304 ECO Pipe ASTM A554 - Model 0108XL


Part No.	Size (in)	O.D. (in)	I.D. (in)	Wall Thickness (in)	Length (ft)
304					
87080	2 1/2	2.63	2.47	0.08	20
87085	3	3.13	2.97	0.08	20
87090	4	4.13	3.97	0.08	20

ProPress Stainless 90° Elbow P x P - Models 6016 / 4016


Part No.		Size (in)	A (in)	L (in)
304	316	1		
85402	80400	1/2	1.12	1.87
85407	80405	3/4	1.73	2.64
85412	80410	1	1.87	2.78
85417	80415	1 1/4	1.65	2.69
85422	80420	1 1/2	1.98	3.41
85427	80425	2	2.55	4.14

ProPress Stainless 90° Elbow P x P - Models 6016XL / 4016XL


Part No.		Size (in)	A (in)	L (in)
304	316	1	1	
85432	80430	2 1/2 x 2 1/2	3.19	4.88
85437	80435	3 x 3	3.76	5.73
85442	80440	4 x 4	4.86	7.22