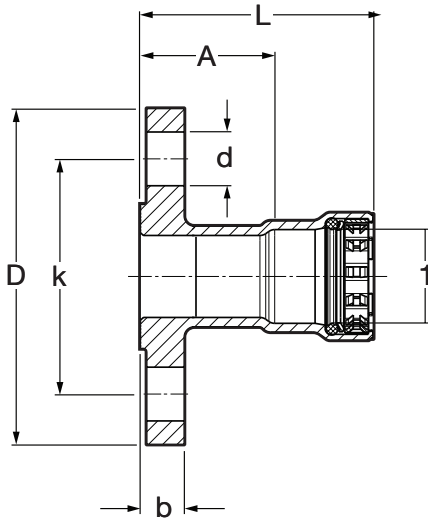
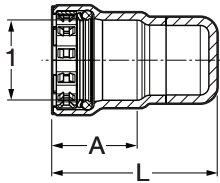
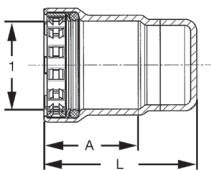


**MegaPress Flange, Carbon Steel, P x BP - Models 4859.5 / 5959.5 / 6659.5**


Part No.			Size (in)	A (in)	L (in)	b (in)	k (in)	D (in)	d (in)
EPDM	FKM	HNBR	1						
25760	84845	25761	1/2	1.51	2.58	0.46	2.36	3.54	0.63
25765	84850	25766	3/4	1.58	2.74	0.52	2.76	3.94	0.63
25770	84855	25771	1	1.75	3.10	0.58	3.11	4.33	0.63
25775	84860	25776	1 1/4	1.89	3.71	0.64	3.50	4.53	0.63
25780	84865	25781	1 1/2	2.06	3.93	0.70	3.86	4.92	0.63
25785	84870	25786	2	2.07	4.06	0.77	4.76	5.91	0.75

**MegaPress Cap, Carbon Steel, P x Cap - Models 4856 / 5956 / 6656**


Part No.			Size (in)	A (in)	L (in)
EPDM	FKM	HNBR	1		
25730	84100	25731	1/2	1.07	2.14
25735	84105	25736	3/4	1.16	2.26
25740	84110	25741	1	1.35	2.43
25745	84115	25746	1 1/4	1.82	2.93
25750	84120	25751	1 1/2	1.87	3.02
25755	84125	25756	2	1.99	3.11

**Viega MegaPress Cap P - Models 4856.1XL / 6656.1XL**


Part No.		Size (in)	A (in)	L (in)
FKM	HNBR	1		
26760	28860	2 1/2	1.80	3.27
26765	28865	3	2.30	3.78
26770	28870	4	3.18	4.65