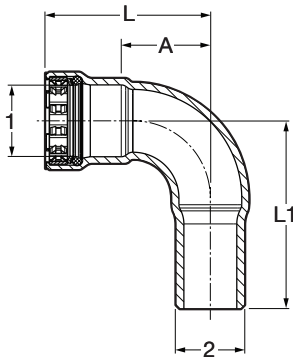
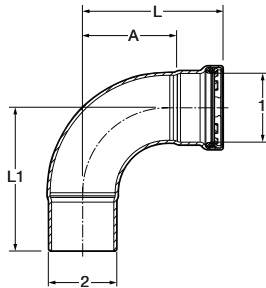
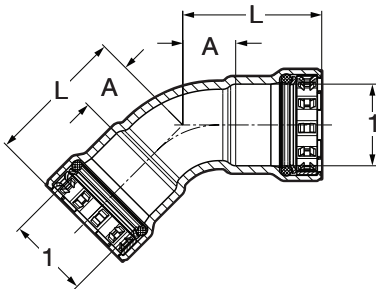


MegaPress 90° Elbow, Carbon Steel, P x FTG - Models 4816.1 / 5916.1 / 6616.1


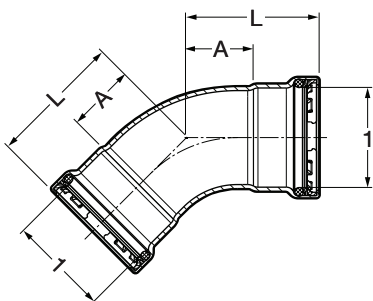
EPDM	Part No.		Size (in)		A (in)	L (in)	L1 (in)
	FKM	HNBR	1	2			
26050	84875	26051	1/2 x 1/2		1.17	2.24	2.56
26055	84880	26056	3/4 x 3/4		1.36	2.52	2.87
26060	84885	26061	1 x 1		1.72	3.07	3.39
26065	84890	26066	1 1/4 x 1 1/4		2.00	3.82	4.04
26070	84895	26071	1 1/2 x 1 1/2		2.26	4.13	4.21
26075	84900	26076	2 x 2		2.80	4.78	5.08

Viega MegaPress 90° Street Elbow P x FTG - Models 4816.1XL / 6616.1XL


FKM	Part No.		Size (in)		A (in)	L (in)	L1 (in)
	HNBR	1	2				
26515	28615	2 1/2 x 2 1/2			4.15	5.94	6.06
26520	28620	3 x 3			4.76	7.09	6.81
26525	28625	4 x 4			6.00	9.17	8.78

MegaPress 45° Elbow, Carbon Steel, P x P - Models 4826 / 5926 / 6626


EPDM	Part No.		Size (in)		A (in)	L (in)
	FKM	HNBR	1	2		
25230	84335	25231	1/2		0.60	1.67
25235	84340	25236	3/4		0.71	1.87
25240	84345	25241	1		0.86	2.20
25245	84350	25246	1 1/4		0.98	2.80
25250	84355	25251	1 1/2		1.12	2.99
25255	84360	25256	2		1.32	3.31

Viega MegaPress 45° Elbow P x P - Models 4826XL / 6626XL


FKM	Part No.		Size (in)		A (in)	L (in)
	HNBR	1	2			
26530	28630	2 1/2			2.10	3.90
26535	28635	3			2.26	4.56
26540	28640	4			2.74	5.92