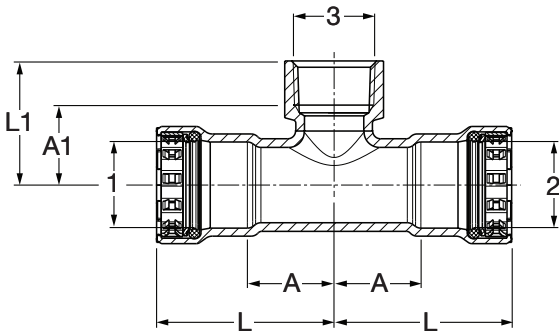
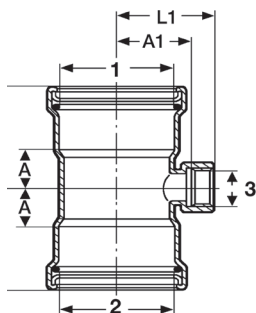


MegaPress Reducing Tee, Carbon Steel, P x P x FPT - Models 4817.2 / 5917.2 / 6617.2


EPDM	Part No.		Size (in)			A (in)	A1 (in)	L (in)	L1 (in)
	FKM	HNBR	1	2	3				
25405	84545	25406	¾	¾	½	1.11	1.02	2.26	1.55
25480	84550	25481	¾	¾	¾	1.11	1.03	2.26	1.58
25410	84555	25411	1	1	½	1.23	1.19	2.57	1.73
25415	84560	25416	1	1	¾	1.23	1.18	2.57	1.73
25485	84575	25486	1¼	1¼	½	1.41	1.31	3.23	1.85
25505	84570	25506	1¼	1¼	¾	1.41	1.33	3.23	1.89
25500	84565	25501	1¼	1¼	1	1.41	1.37	3.23	2.03
25435	84580	25436	1½	1½	½	1.57	1.42	3.44	1.95
25440	84585	25441	1½	1½	¾	1.57	1.41	3.44	1.97
25445	84590	25446	1½	1½	1	1.57	1.57	3.44	2.24
25450	NA	25451	1½	1½	1¼	1.57	1.47	3.44	2.15
25455	84595	25456	2	2	½	1.81	1.70	3.80	2.24
25460	84600	25461	2	2	¾	1.81	1.72	3.80	2.28
25465	84605	25466	2	2	1	1.81	1.89	3.80	2.55
25470	NA	25471	2	2	1¼	1.81	1.77	3.80	2.45
25475	NA	25476	2	2	1½	1.81	1.73	3.80	2.41

Viega MegaPress Tee P x P x FPT - Models 4817.2XL / 6617.2XL


Part No.		Size (in)			A (in)	A1 (in)	L (in)	L1 (in)
FKM	HNBR	1	2	3				
26625	28725	2½	2½	¾	1.35	2.00	3.15	2.55
26630	28730	3	3	¾	1.44	2.24	3.74	2.80
26635	28735	4	4	¾	1.55	2.76	4.72	3.31