

Submittal Package

viega



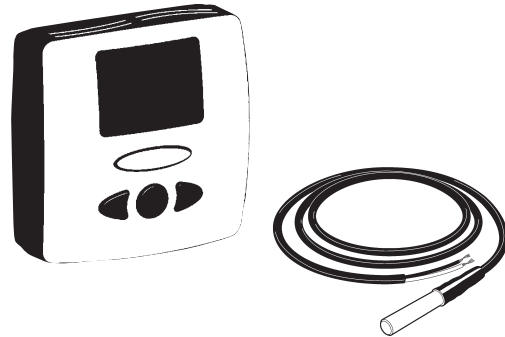
Digital Thermostat

Applications

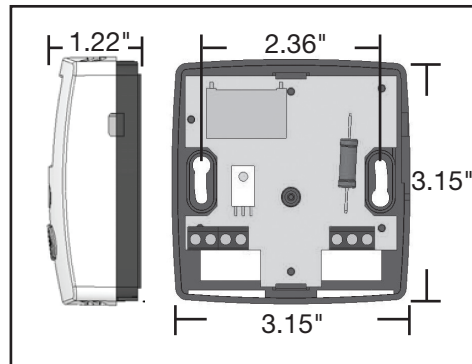
The Digital Thermostat is ideal for individual room temperature control. A user-friendly, three-button design allows for easy change of settings. Thermostat can sense either room temperature, floor temperature or both. Adjustable temperature setback function allows for energy savings. Thermostat can control up to four powerheads directly or can be connected to a zone / circulator control box. With optional floor sensor, thermostat provides floor high or low limit function for floor protection or floor warming.

Specifications

Control: Microprocessor control
Accuracy: 0.2°F
Set temperature range: 41°F - 99°F, 0.5°F increments
Environment range: 32°F - 122°F
Power supply: 24 V +/- 10% 60Hz 15 W max
Output: TRIAC output 24 VAC, 15 W max
Optional floor sensor: NTC thermistor (10K Ohms), 10' cable
Floor limiting range: 50°F - 104°F
Electrical Protection: Class II - IP30



Digital Thermostat stock code # 18050
Floor Sensor stock code # 18051



Resistance Chart for Floor Sensor	
Temperature	Resistance (kΩ)
50°F	~ 19.5kΩ
59°F	~ 15.5kΩ
68°F	~ 12.5kΩ
77°F	~ 10kΩ
86°F	~ 8kΩ