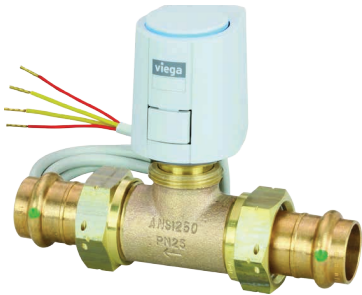


Tech Data

Viega Zone Valve



Description

Viega zone valves are used to control the flow of fluid within a hydronic heating or cooling system. They do so by opening when there is a thermostat demand and closing

when the demand has been met. Viega zone valves are available in 3/4" and 1", with three different connection types: ProPress x ProPress, ProPress x PEX Press, and solder x PEX Press.

Specifications

- Voltage: 24 Volts
- Max. Inrush Current: 300 mA, for 2 minutes
- Operating Power: 1w
- Closing / Opening Time: Approximately 3 minutes
- Max. Pressure Differential: 50 psi
- Cv Rating 3/4" Valve: 4.0
- Cv Rating 1" Valve: 8.5
- Fluid Temperature: 32°-212°F
- Stem Travel: 4mm
- Actuating Force: 21 lbs
- Body Material: Low zinc bronze, alloy C84400

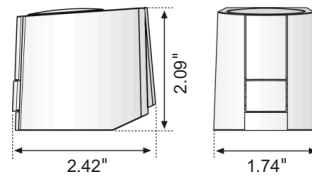


This document is subject to updates. For the most current Viega technical literature please visit www.viega.us.

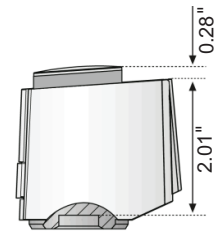


Viega products are designed to be installed by licensed and trained plumbing and mechanical professionals who are familiar with Viega products and their installation. **Installation by non-professionals may void Viega LLC's warranty.**

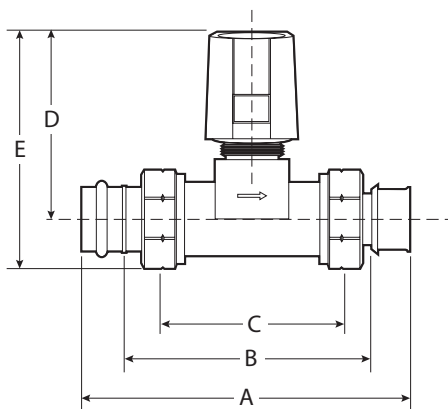
Top Dimensions



Top Installation Height



Viega Zone Valve - Model 2837.2



Part No.	Description	A (in)	B (in)	C (in)	D (in)	E (in)
17230	3/4" Solder x PEX Press	4.70	3.25	2.50	3.60	4.25
17231	1" Solder x PEX Press	6.25	4.60	3.60	3.75	4.60
17232	3/4" PP X PP	5.60	3.80	2.50	3.60	4.25
17233	1" PP X PP	6.86	5.20	3.60	3.75	4.60
17234	3/4" PP X PEX Press	5.10	3.80	2.50	3.60	4.25
17235	1" PP X PEX Press	6.62	5.28	3.60	3.75	4.60

V Viega LLC
585 Interlocken Blvd.
Broomfield, CO 80021

Phone (800) 976-9819
www.viega.us

TD-HC 0921 Zone Valve

