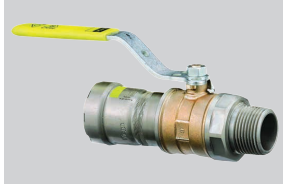


Tech Data

Viega MegaPress®G Ball Valve Model 6675.2



The MegaPressG ball valve comes equipped with a silicon bronze body, a 316 stainless steel ball, and zinc nickel coated steel connection ends. The ball valve is PxMPT and features an HNBR sealing element,

a 420 SST grip ring, a 304 separator ring, and Viega's Smart Connect® technology for easy identification of unpressed connections during pressure testing.

Features

- 316 stainless steel ball
- Lockable metal handle
- Double stem seal
- Reinforced PTFE seats
- Smart Connect technology



This document is subject to updates. For the most current Viega technical literature please visit www.viega.us.



Viega products are designed to be installed by licensed and trained plumbing and mechanical professionals who are familiar with Viega products and their installation. **Installation by non-professionals may void Viega LLC's warranty.**

Ratings

- Temperature Range: -40°F to 180°F
- Max. Operating Pressure: 125 psi for fuel gas applications
250 psi for other approved applications (see [Application Chart](#))

Approvals

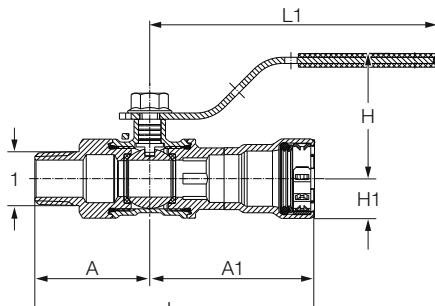
- Conforms to MSS SP-110
- ANSI LC 4/CSA 6.32
- ANSI LC 4a/CSA 6.32a
- ASME B31

Recommended Tools

- Standard size press tool (minimum hydraulic ram output of 7200 lbs.)
- #56013 MegaPress jaw/ring kit (½" to 2")

Component	Material
Body	Bronze C87700
Ball	316 Stainless Steel
Seat	Reinforced PTFE
Stem Seals	FKM or HNBR
Nut	Zinc-Plated Steel
Handle	Zinc-Plated Steel
Handle Cover	Polyvinyl
Sealing Element	HNBR
Connection Ends	Zinc/Nickel-Coated Steel
Grip Ring	420 Stainless Steel
Separator Ring	304 Stainless Steel

Viega MegaPressG Ball Valve - Model 6675.2



Part No.	Size (in)	A (in)	A1 (in)	L (in)	L1 (in)	H (in)	H1 (in)
	1						
30660	½	1.81	2.62	4.44	4.57	0.63	1.99
30665	¾	1.87	2.80	4.64	4.57	0.77	2.10
30670	1	2.53	3.16	5.69	5.77	0.91	2.46
30675	1¼	2.56	3.78	6.33	5.77	1.14	2.69
30680	1½	2.67	3.98	6.65	6.12	1.36	3.02
30685	2	2.92	4.35	7.28	6.12	1.65	3.31

V Viega LLC
585 Interlocken Blvd.
Broomfield, CO 80021

Phone (800) 976-9819
www.viega.us

TD-MP 0821 MegaPressG Ball Valve 6675-2

